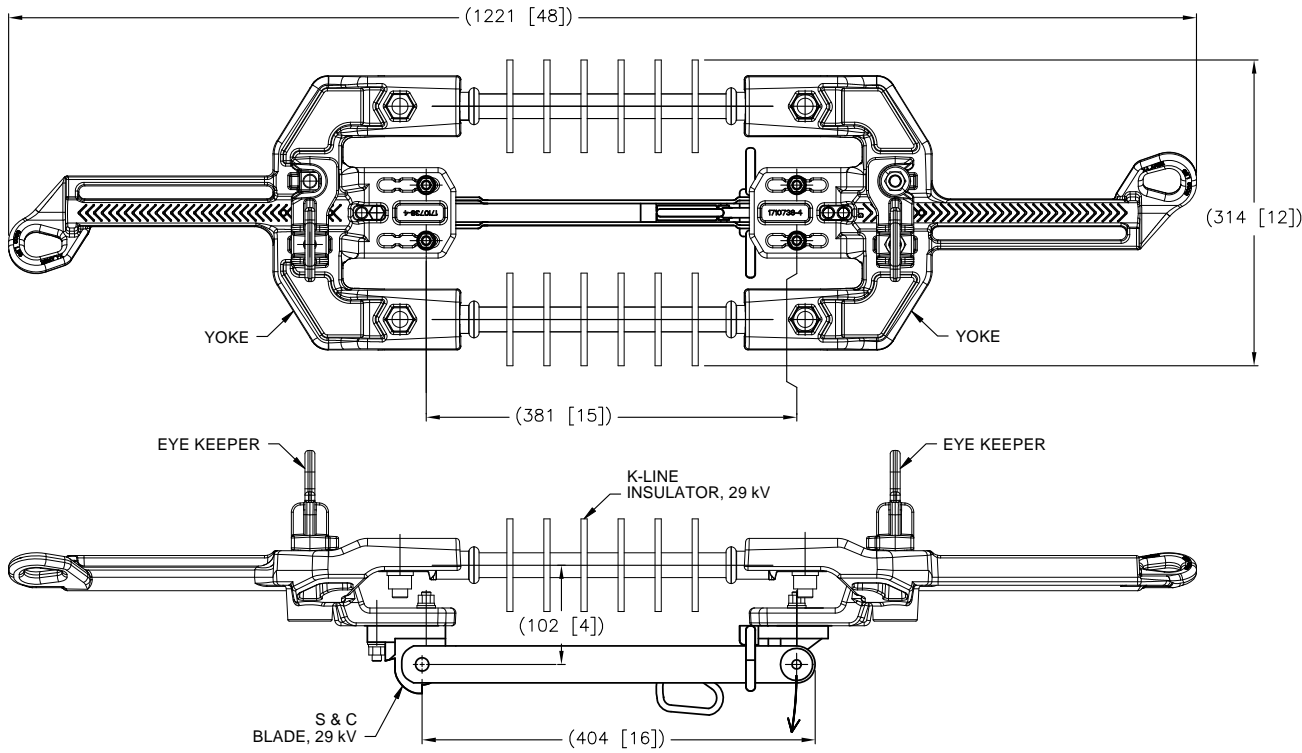


THIS DRAWING IS UNPUBLISHED. RELEASED FOR PUBLICATION
 © COPYRIGHT - By - ALL RIGHTS RESERVED.

REVISIONS					
P	LTR	DESCRIPTION	DATE	OWN	APPD
G		LC20-0056-12 / ECO-12-010512	28MAY2012	DM	BJ
D		LC20-0094-13 / ECO-13-014496	09SEP2013	DM	BJ
E		LC20-0031-16 / ECO-16-005675	14APR2016	DM	BJ
F		LC20-0085-16 / ECO-16-011010	21JUL2016	DM	BJ
G		LC20-0060-19 / ECO-19-010173	29JUN2019	DM	BJ



1. BODY STRENGTH: 10,000 lbs.
PULLING EYE STRENGTH: 6000 lbs.
2. 1710726-1 WILL BE REPLACED BY 1710726-6 IN THE FUTURE.

40,000 AMPERE RMS, ASYMMETRICAL	25,000 AMPERE RMS, SYMMETRICAL	900 AMPERE RMS	60 HERTZ	150 kV	29 kV AC
MOMENTARY CURRENT	THREE SECOND CURRENT	CONTINUOUS CURRENT ALLOWABLE RATING: (PER ANSI C37-32.3.2.1 2002)	FREQUENCY	BASIC IMPULSE INSULATION LEVEL (BIL)	VOLTAGE
SHORT TIME CURRENT					
RATINGS					

X-SMALL	1710726-6
XX-LARGE	1710726-5
X-LARGE	1710726-4
LARGE	1710726-3
SMALL	1710726-2
X-SMALL	1710726-1
YOKE SIZE IN ILD ASSEMBLY	PART NO.

THIS DRAWING IS A CONTROLLED DOCUMENT.

DIMENSIONS: mm [INCHES]	TOLERANCES UNLESS OTHERWISE SPECIFIED: 0 PLC ± - 1 PLC ± - 2 PLC ± - 3 PLC ± - 4 PLC ± - ANGLES ± -	OWN: D. MURUGIAH 12FEB2010 CHK: S. KAMEL 29MAR2010 APPD: B. JOHNSON 29MAR2010	NAME: INLINE DISCONNECT SWITCH ASSEMBLY WITHOUT TAPS, AMPACT, 29 kV, 900 Amp
MATERIAL: -	FINISH: -	WEIGHT: 0	RESTRICTED TO: -
CUSTOMER DRAWING		SIZE: A2	CAGE CODE: 00779
		DRAWING NO: 1710726	SCALE: NTS
		SHEET: 1 of 1	REV: G

TE TE Connectivity