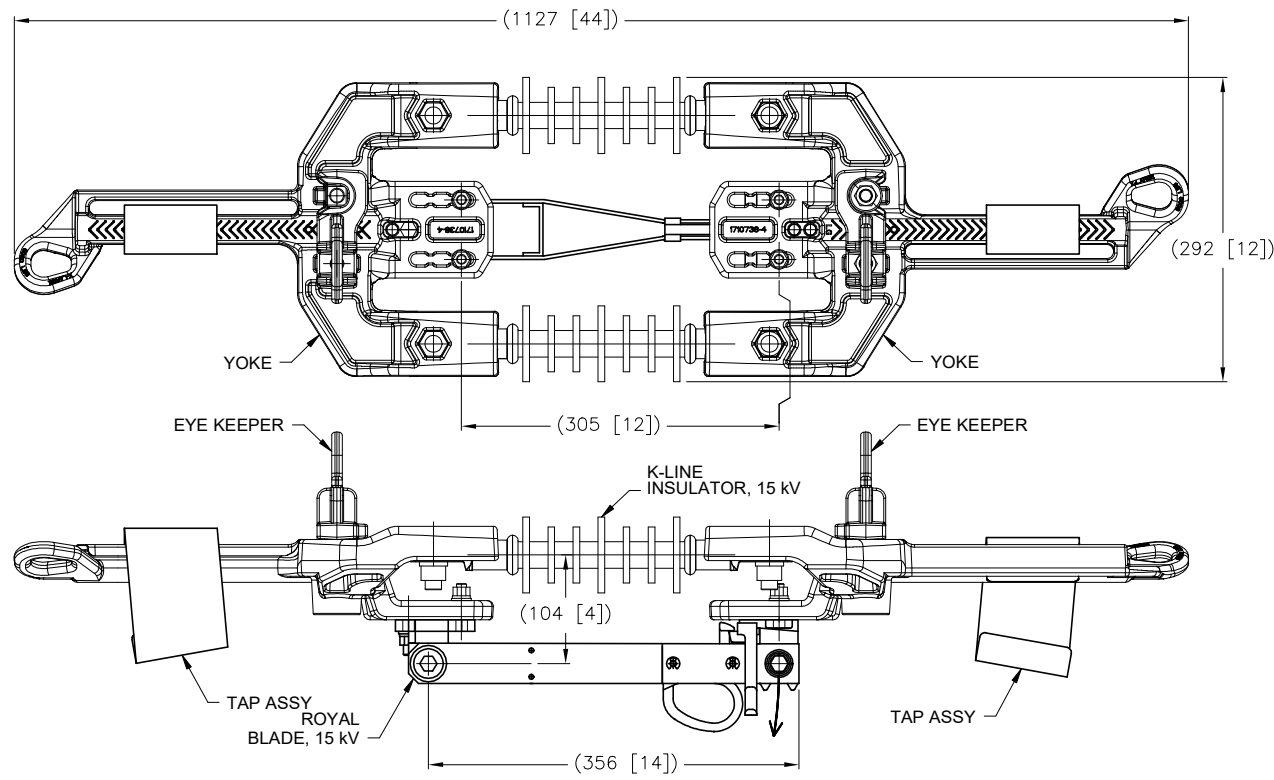


THIS DRAWING IS UNPUBLISHED. RELEASED FOR PUBLICATION  
 © COPYRIGHT - By - ALL RIGHTS RESERVED.

F	LC20-0019-19 / ECO-19-002310	27FEB2019	DM	BJ
F1	LC20-0027-19 / ECO-19-003287	01MAR2019	DM	BJ
G	LC20-0060-19 / ECO-19-010173	29JUN2019	DM	BJ
H	LC20-0114-19 / ECO-19-016005	05NOV2019	DM	BJ

REVISIONS				
REV	LTR	DESCRIPTION	DATE	BY
B		LC20-0034-12 / ECO-12-008136	24APR2012	DM BJ
C		LC20-0094-13 / ECO-13-014496	09SEP2013	DM BJ
D		LC20-0031-16 / ECO-16-005675	14APR2016	DM BJ
E		LC20-0085-16 / ECO-16-011010	21JUL2016	DM BJ



40,000 AMPERE RMS, ASYMMETRICAL	25,000 AMPERE RMS, SYMMETRICAL	900 AMPERE RMS	60 HERTZ	110 kV	15 kV AC
MOMENTARY CURRENT	THREE SECOND CURRENT	CONTINUOUS CURRENT ALLOWABLE RATING: (PER ANSI C37-32.3.2.1 2002)	FREQUENCY	BASIC IMPULSE INSULATION LEVEL (BIL)	VOLTAGE
SHORT TIME CURRENT					
RATINGS					

#2 (6/1) 1/0 (6/1) 2/0 (6/1)	#2 1/0 2/0	X-SMALL	1-83843-4	1-1710725-2
954 (45/7), (24/7), (54/7), 1033.5 (45/7), (54/7)	1033.5 1113.0	XX-LARGE	1-83843-3	1-1710725-1
397.5 (18/1), (24/7), (26/7)	397.5	LARGE	1-83843-2	1-1710725-0
795 (24/7) (26/7), (30/7) (30/19), (54/7)	954	X-LARGE	1-83843-1	1710725-9
605 (30/19) 636 (26/7) (24/7), (30/19) 666.6 (24/7) (26/7)	715.5, 750, 795	X-LARGE	83843-6	1710725-8
477.0 (30/7) 556.5 (24/7) (26/7), (30/7) 605 (24/7) (26/7) 636 (18/1) (36/1)	600, 636, 650, 700	X-LARGE	83843-5	1710725-7
477.0 (26/7) 556.5 (18/1)	556.5	LARGE	83843-4	1710725-6
397.5 (18/1) (24/7), (26/7) (30/7) 477.0 (18/1)	450, 477, 500	LARGE	83843-3	1710725-5
266.8 (26/7) 336.4 (18/1) (26/7), (30/7)	397.5 336.4, 350	SMALL	83843-2	1710725-4
266.8 (18/1)	266.8	SMALL	83843-1	1710725-3
3/0 (6/1) 4/0 (6/1)	4/0	SMALL	83843-7	1710725-2
1/0 (6/1) 2/0 (6/1)	1/0 2/0	X-SMALL	1-83843-0	1710725-1
ACSR	AAC	YOKE SIZE IN ILD ASSEMBLY	REPLACEMENT TAP P/N	PART NO.
APPLICATION				

- BODY STRENGTH: 10,000 lbs.  
PULLING EYE STRENGTH: 6000 lbs.
- FOR INLINE DISCONNECT SWITCH ASSEMBLY W/O TAPS, REFER TO 1710724-X SERIES PART NUMBERS.
- 1710725-1 WILL BE REPLACED BY 1-1710725-2 IN THE FUTURE.

THIS DRAWING IS A CONTROLLED DOCUMENT. DWG: D. MURUGIAH 12FEB2010  
 CHK: S. KAMEL 29MAR2010  
 APPR: B. JOHNSON 29MAR2010

**TE** TE Connectivity

NAME: INLINE DISCONNECT SWITCH ASSEMBLY WITH TAPS, AMPACT, 15 kV, 900 Amp

PRODUCT SPEC: -  
 APPLICATION SPEC: -  
 WEIGHT: 0  
 SIZE: A2  
 CAGE CODE: 00779  
 DRAWING NO: 1710725  
 RESTRICTED TO: -  
 CUSTOMER DRAWING  
 SCALE: NTS  
 SHEET: 1 of 1  
 REV: H