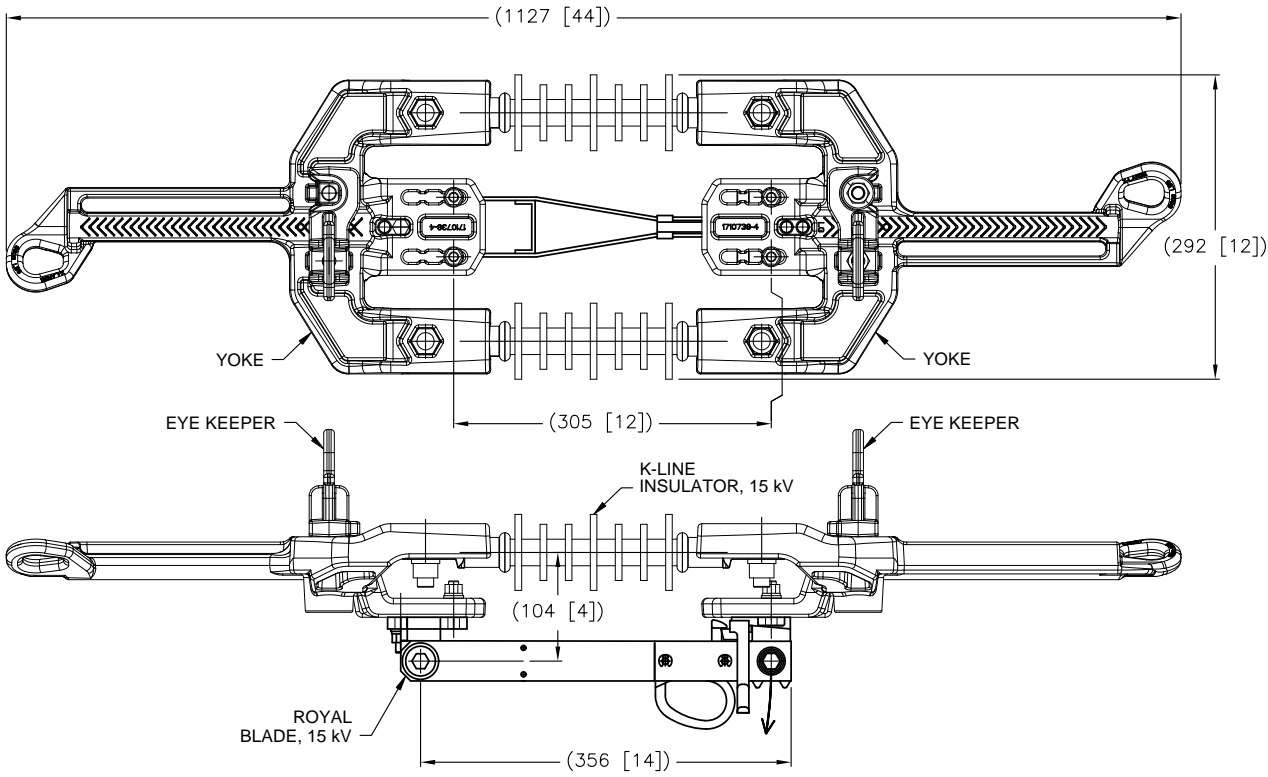


THIS DRAWING IS UNPUBLISHED. RELEASED FOR PUBLICATION
 © COPYRIGHT - By - ALL RIGHTS RESERVED.

REVISIONS					
REV	LETTER	DESCRIPTION	DATE	OWN	APP'D
C		LC20-0034-12 / ECO-12-008136	24APR2012	DM	BJ
D		LC20-0094-13 / ECO-13-014496	09SEP2013	DM	BJ
E		LC20-0031-16 / ECO-16-005675	14APR2016	DM	BJ
F		LC20-0085-16 / ECO-16-011010	21JUL2016	DM	BJ
G		LC20-0019-19 / ECO-19-002310	27FEB2019	DM	BJ
G1		LC20-0027-19 / ECO-19-003287	01MAR2019	DM	BJ
H		LC20-0060-19 / ECO-19-010173	29JUN2019	DM	BJ



1. BODY STRENGTH: 10,000 lbs.
PULLING EYE STRENGTH: 6000 lbs.
2. 1710724-1 WILL BE REPLACED BY 1710724-6 IN THE FUTURE.

40,000 AMPERE RMS, ASYMMETRICAL	25,000 AMPERE RMS, SYMMETRICAL	900 AMPERE RMS	60 HERTZ	110 kV	15 kV AC
MOMENTARY CURRENT	THREE SECOND CURRENT	CONTINUOUS CURRENT ALLOWABLE RATING: (PER ANSI C37-32.3.2.1 2002)	FREQUENCY	BASIC IMPULSE INSULATION LEVEL (BIL)	VOLTAGE
RATINGS					

X-SMALL	1710724-6
XX-LARGE	1710724-5
X-LARGE	1710724-4
LARGE	1710724-3
SMALL	1710724-2
X-SMALL	1710724-1
YOKE SIZE IN ILD ASSEMBLY	PART NO.

THIS DRAWING IS A CONTROLLED DOCUMENT. DWN: D. MURUGIAH 12FEB2010
 CHK: S. KAMEL 29MAR2010
 APP'D: B. JOHNSON 29MAR2010

STE TE Connectivity

NAME: INLINE DISCONNECT SWITCH ASSEMBLY WITHOUT TAPS, AMPACT, 15 kV, 900 Amp
 PRODUCT SPEC: -
 APPLICATION SPEC: -

SIZE: A2 CAGE CODE: 00779 DRAWING NO: 1710724 RESTRICTED TO: -
 WEIGHT: 0
 MATERIAL: - FINISH: -
 CUSTOMER DRAWING SCALE: NTS SHEET: 1 of 1 REV: H