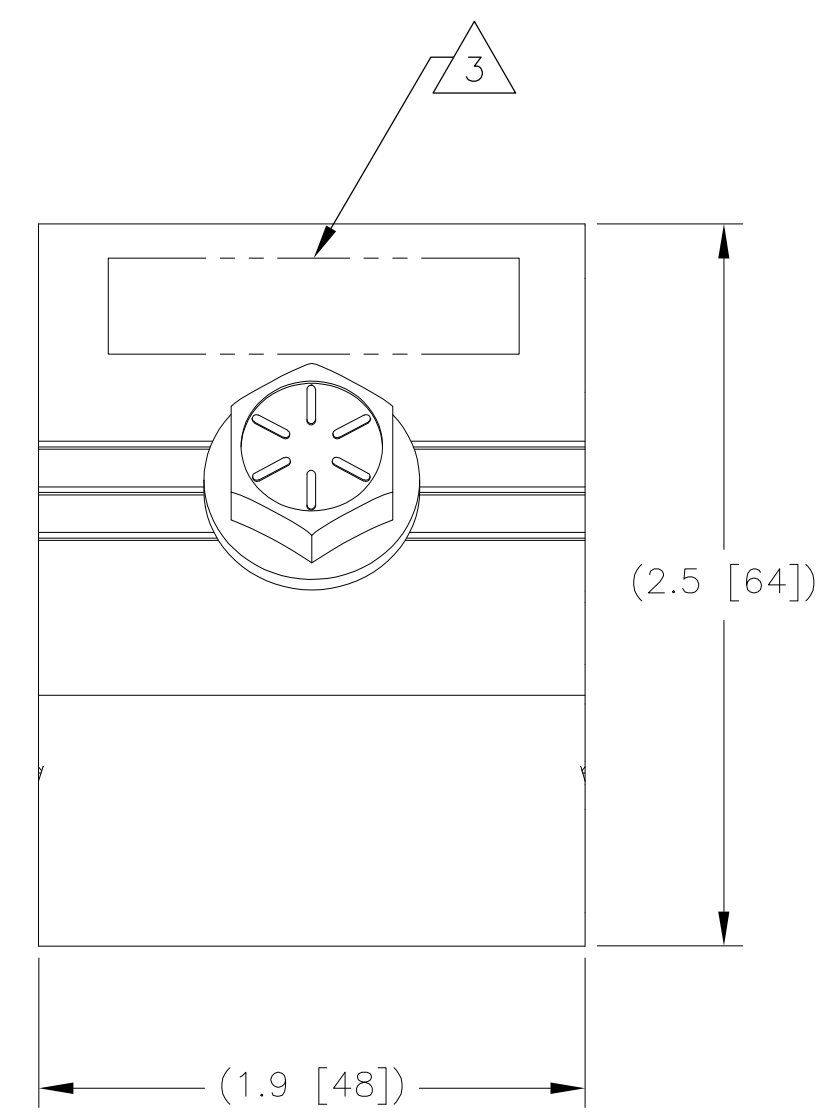
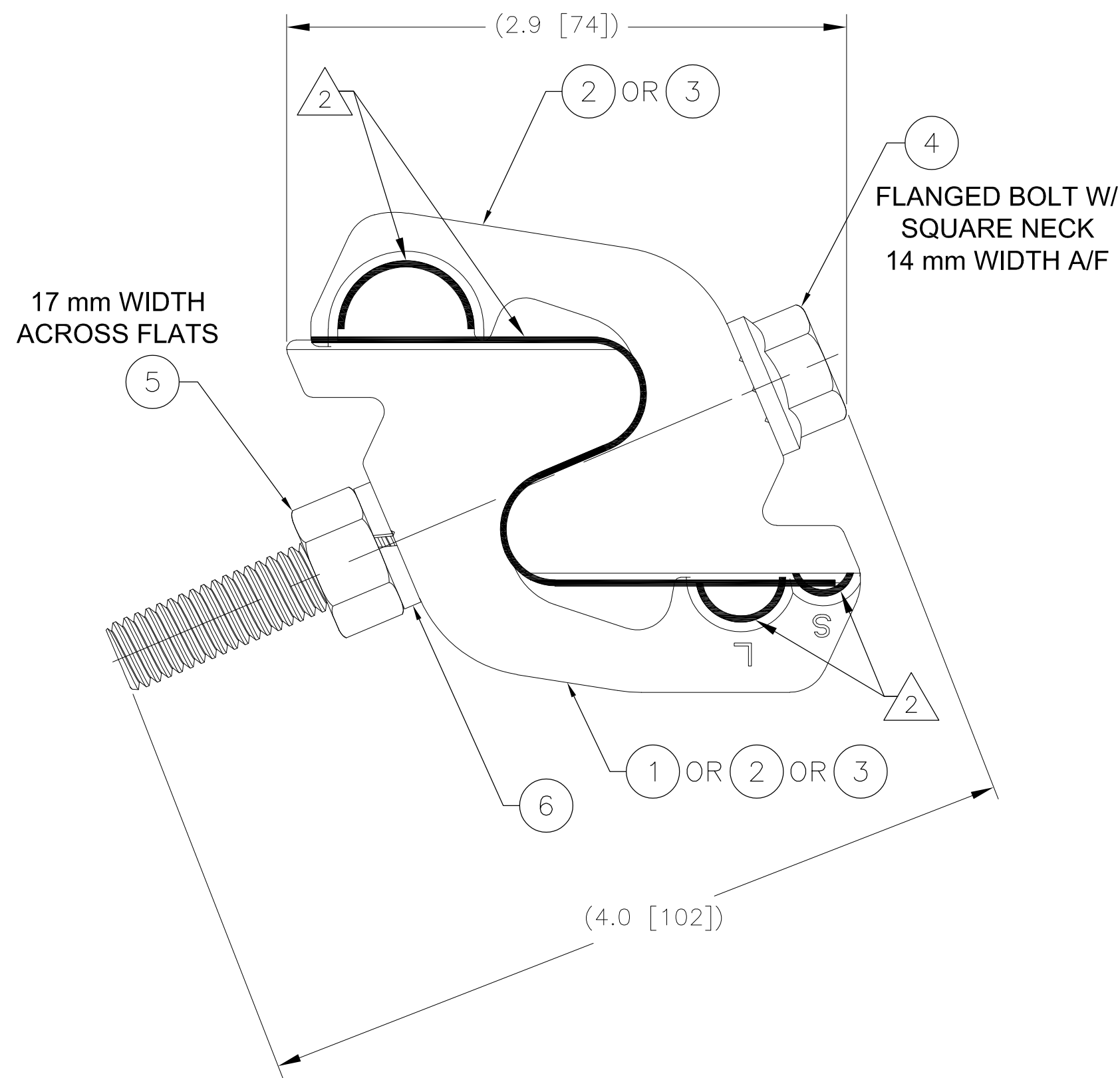


THIS DRAWING IS UNPUBLISHED. RELEASED FOR PUBLICATION
 © COPYRIGHT BY TYCO ELECTRONICS CORPORATION. ALL RIGHTS RESERVED.

LOC		DIST		REVISIONS			
P	LTR	DESCRIPTION		DATE	DWN	APVD	
GA	1	A		INITIAL REL. PER LC20-0167-08	03JUL2008	DM	BJ



- ALL DIMENSIONS ARE FOR REFERENCE ONLY.
- INHIBITOR IS APPLIED AT FACTORY.
- MARKING:

("B1" TO "B3" IDENTIFY J MEMBER COMPONENTS OF CONNECTOR.
 "YYWW" REPRESENTS DATE CODE AS YEAR, WEEK).

COMBINATION	RUNNER (PRIMARY) CONDUCTOR RANGE (sqr. mm.)	TAP (SECONDARY) CONDUCTOR RANGE (sqr. mm.)	PART NO.
B3 - B3	125 - 150	125 - 150	1710582-5
B3 - B2	125 - 150	16 & 80 - 125	1710582-4
B3 - B1	125 - 150	25 - 63	1710582-3
B2 - B2	16 & 80 - 125	16 & 80 - 125	1710582-2
B2 - B1	16 & 80 - 125	25 - 63	1710582-1

QTY REQD. PER ASSY	DESCRIPTION	ITEM NO.
-	-	-
1	408-10147 INSTRUCTION SHEET	7
1	1 1 1 1 1 WASHER, SPLIT, 3/8 SIZE	6
1	1 1 1 1 1 NUT, HEX, 3/8 SIZE	5
1	1 1 1 1 1 BOLT, FLANGED HEX HEAD, 3/8 SIZE	4
2	1 1 - - TWC, J MEMBER B3, ALUMINUM ALLOY	3
-	1 - 2 1 TWC, J MEMBER B2, ALUMINUM ALLOY	2
-	- 1 - 1 TWC, J MEMBER B1, ALUMINUM ALLOY	1
-5	-4 -3 -2 -1	

THIS DRAWING IS A CONTROLLED DOCUMENT.

DWN D. MURUGIAH 03JUL2008	Tyco Electronics Corporation Markham, ON L3R 1E1					
CHK V. HOXHA 28JUL2008						
APVD B. JOHNSON 28JUL2008						
PRODUCT SPEC						
APPLICATION SPEC	NAME TRANSVERSE WEDGE CONNECTOR, FLANGED BOLT WITH SQUARE NECK, MEDIUM GROUP, 16 TO 150 SQR MM					
MATERIAL REFER BOM	FINISH NONE	WEIGHT -	SIZE A2	CAGE CODE 00779	DRAWING NO. 1710582	RESTRICTED TO -
CUSTOMER DRAWING			SCALE NTS	SHEET 1	OF 1	REV A