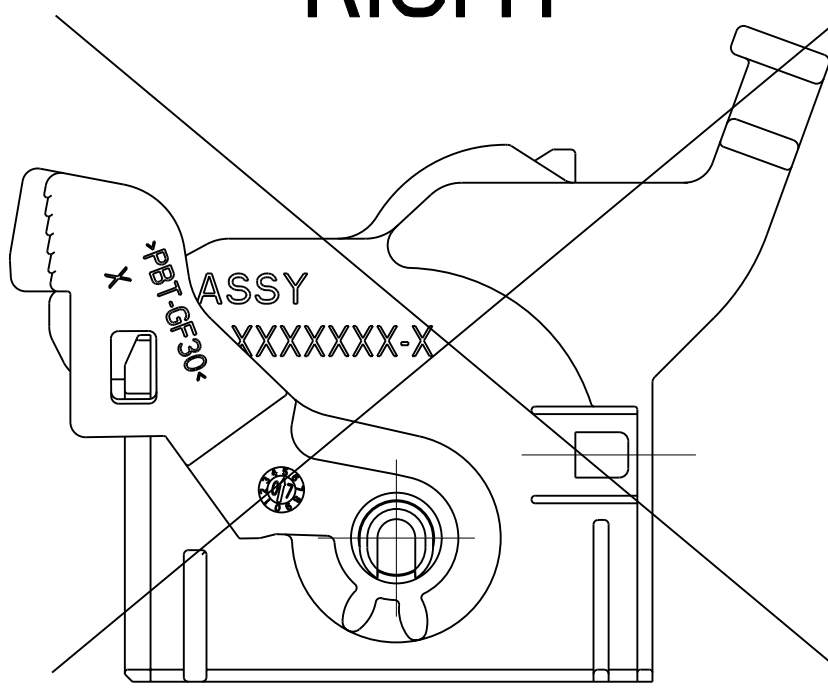
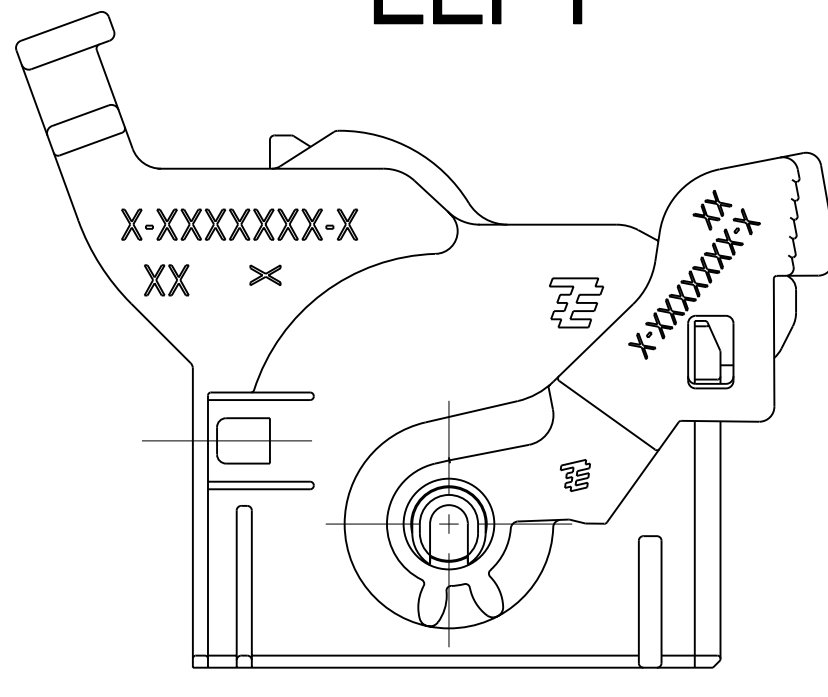


LOC	DIST	REVISIONS			
P	LTB	DESCRIPTION	DATE	DWN	APVD
A		NEW DRAWING	20DEC2007	YA	HR
A1		SEE E-09-021366	28SEP2009	YA	HR
B		E-10-013438	24JUN2010	YA	HR

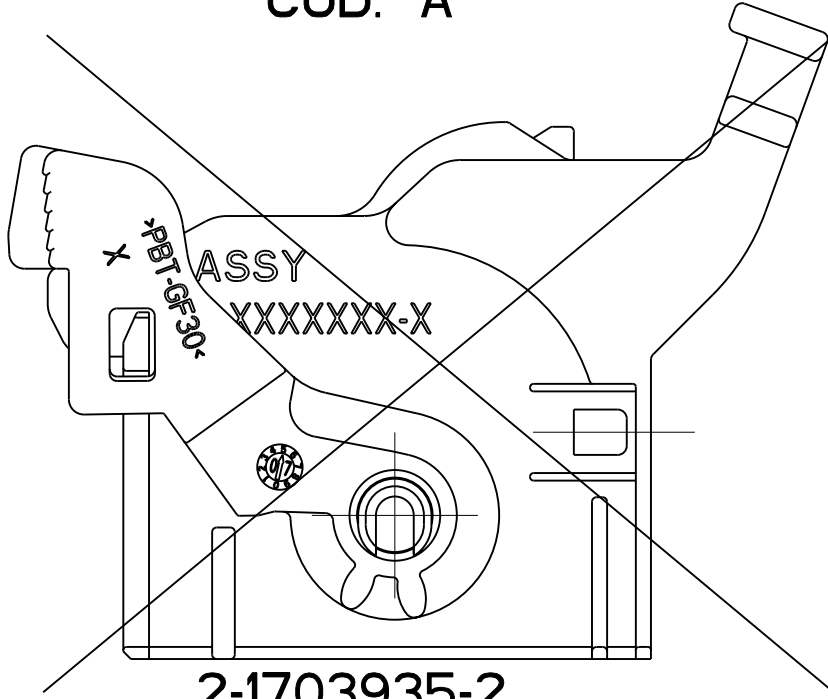
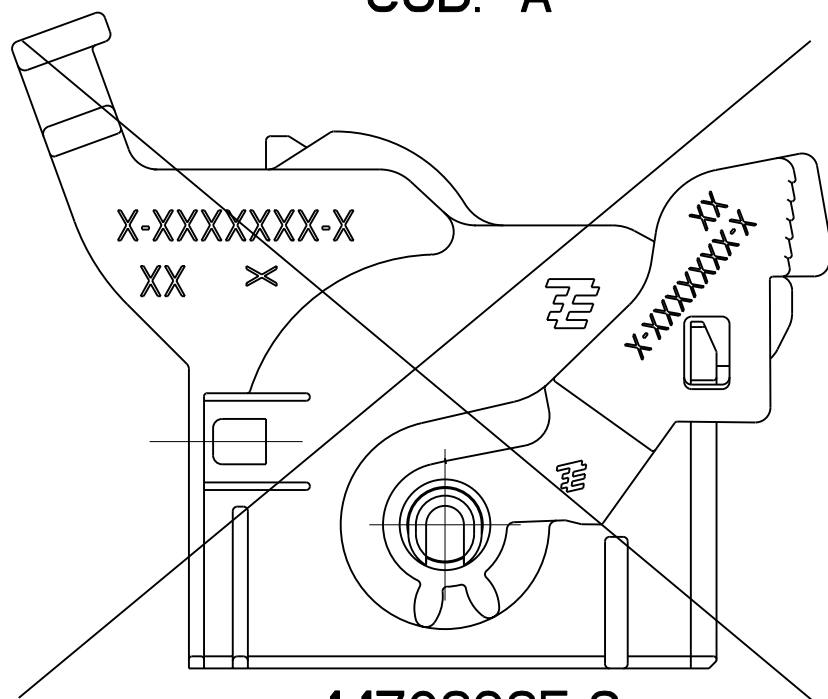
LEFT

RIGHT



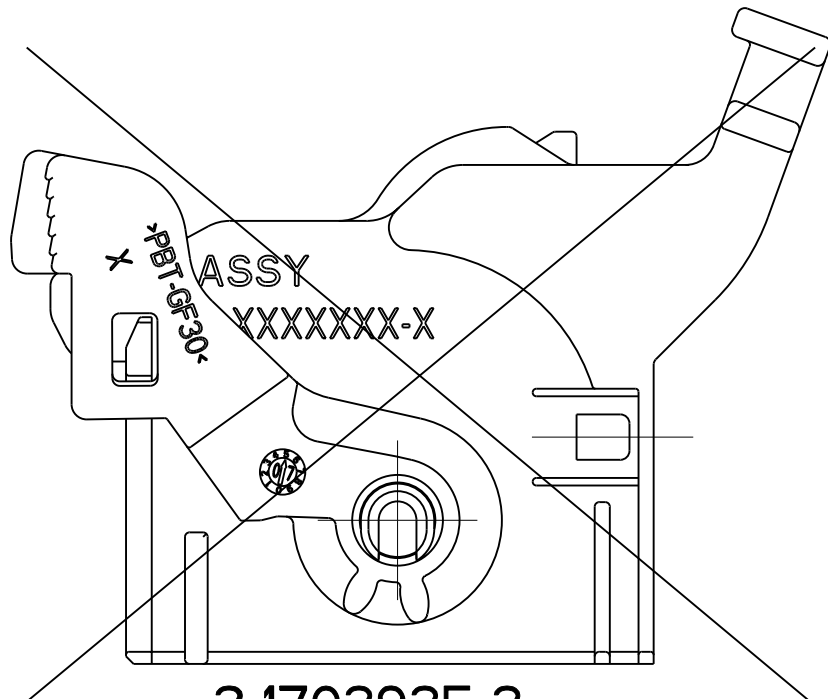
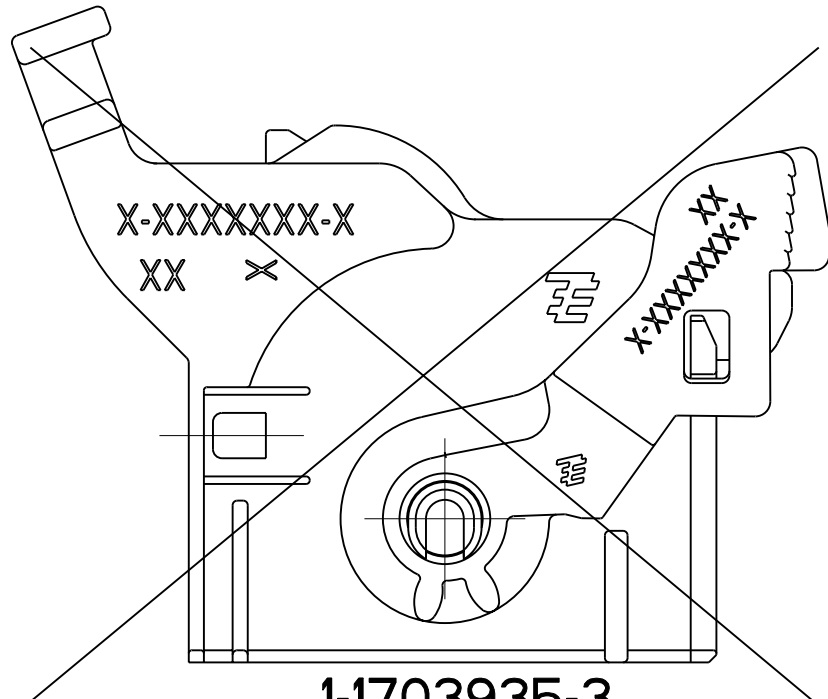
1-1703935-1
COD. A

2-1703935-1
COD. A



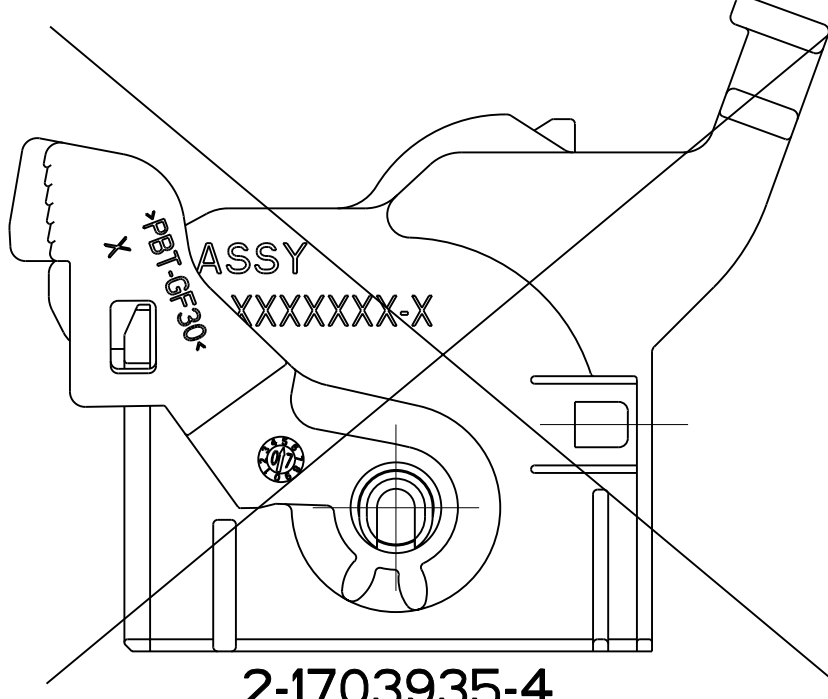
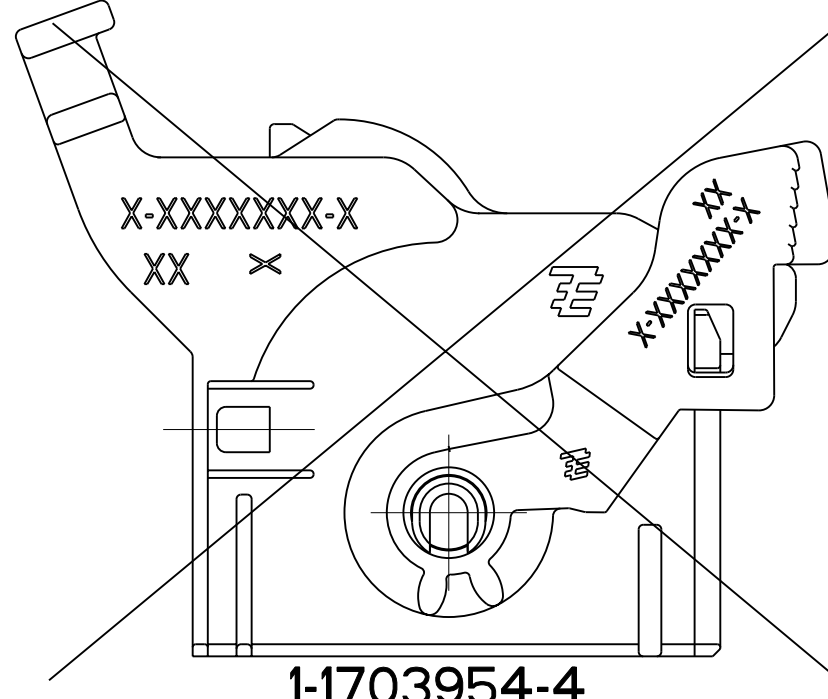
1-1703935-2
COD. B

2-1703935-2
COD. B



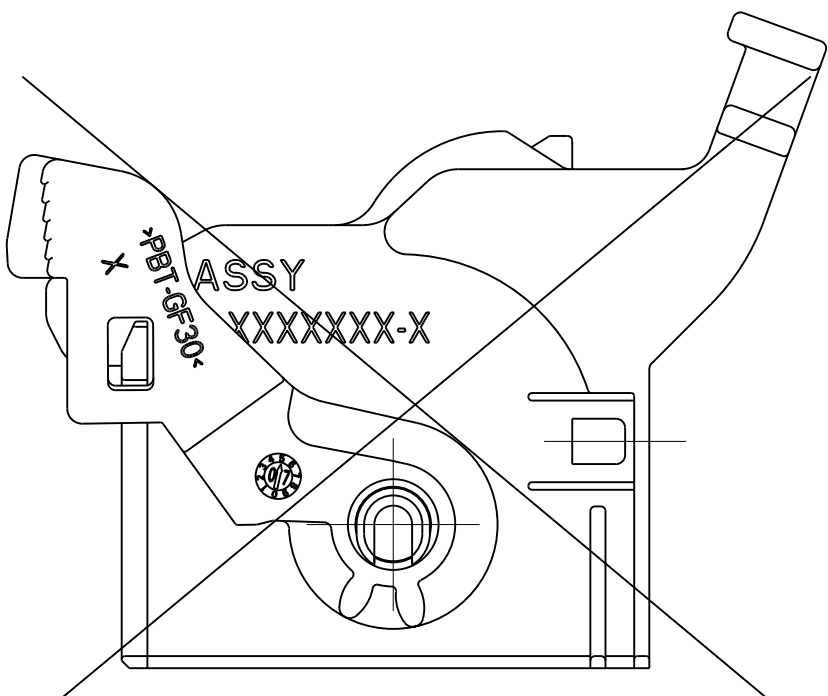
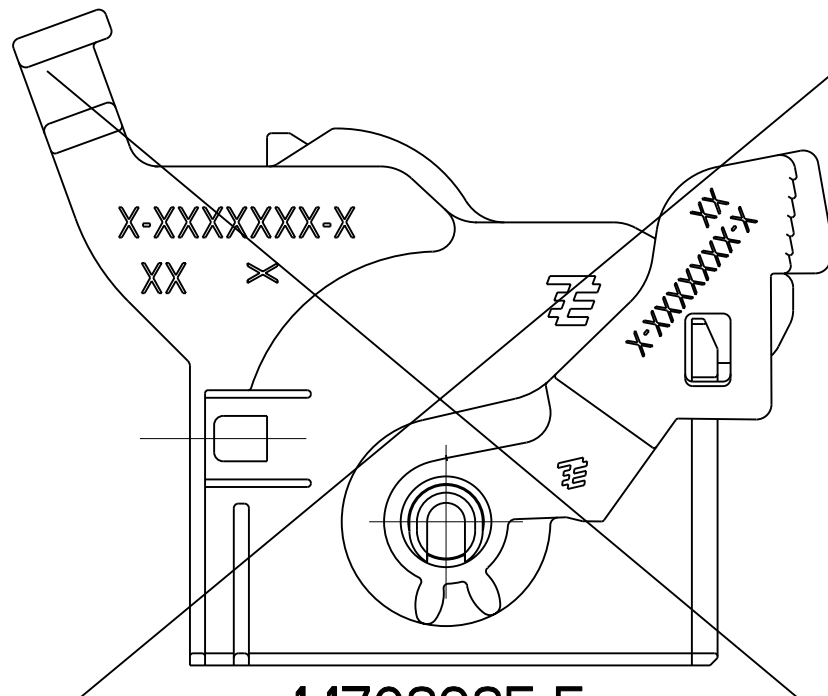
1-1703935-3
COD. C

2-1703935-3
COD. C



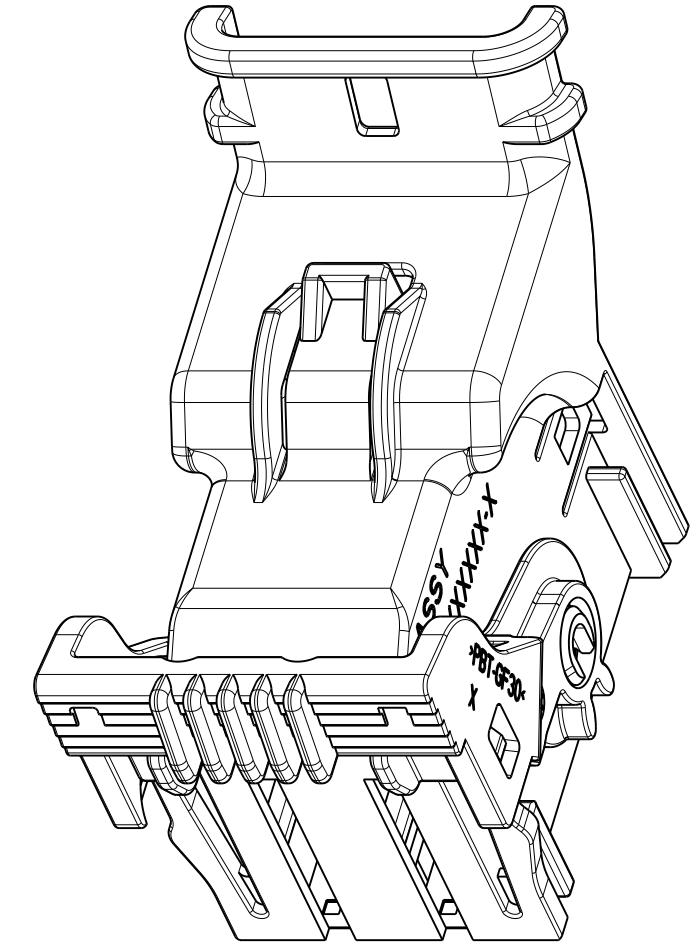
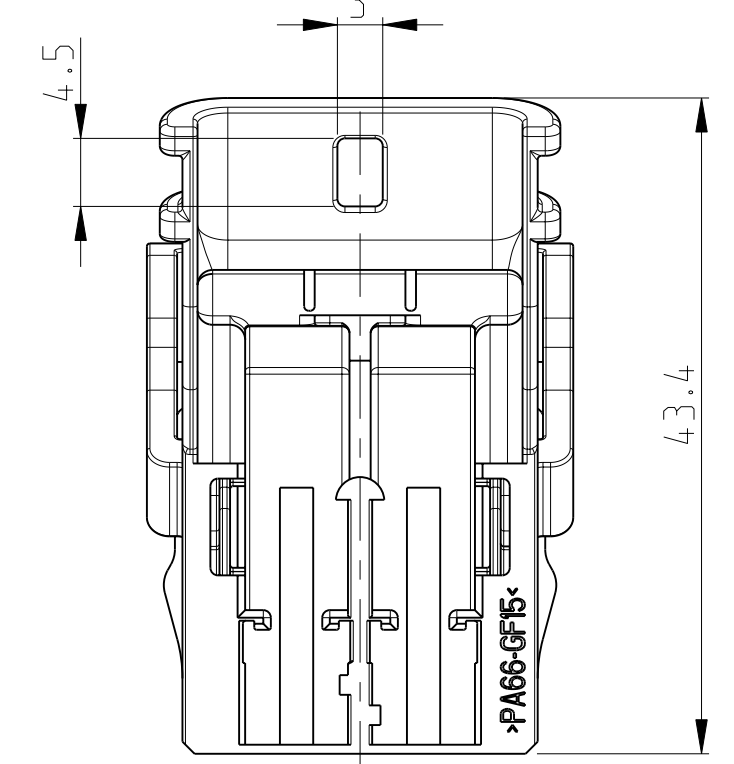
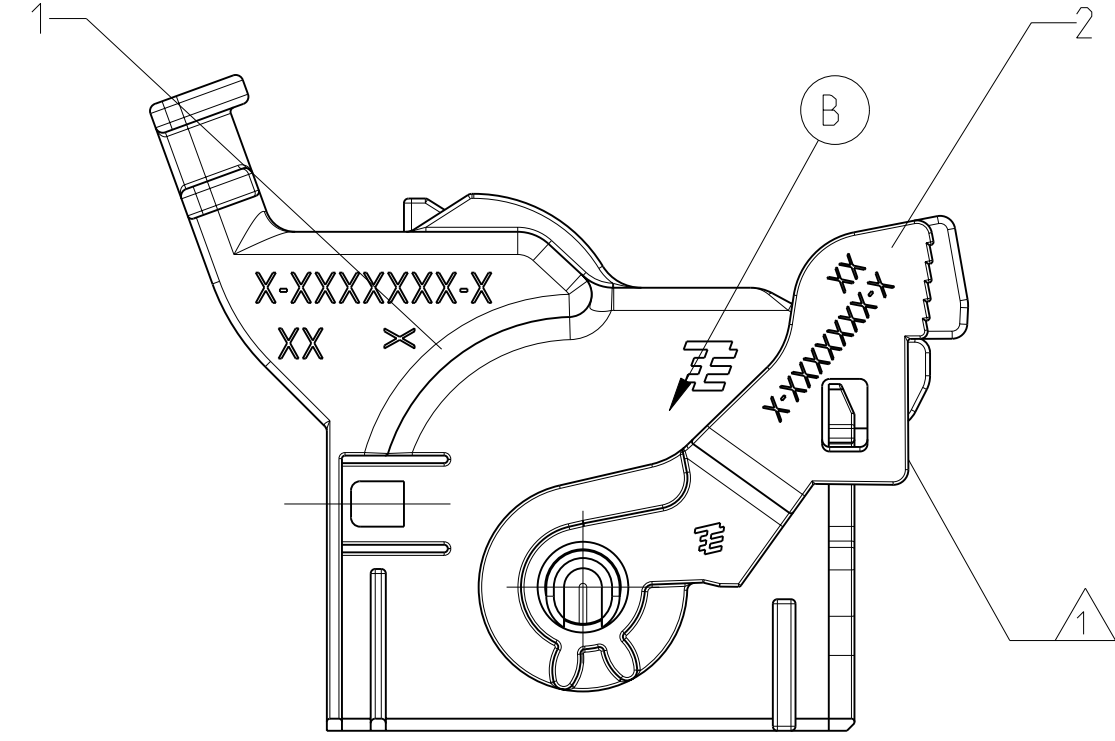
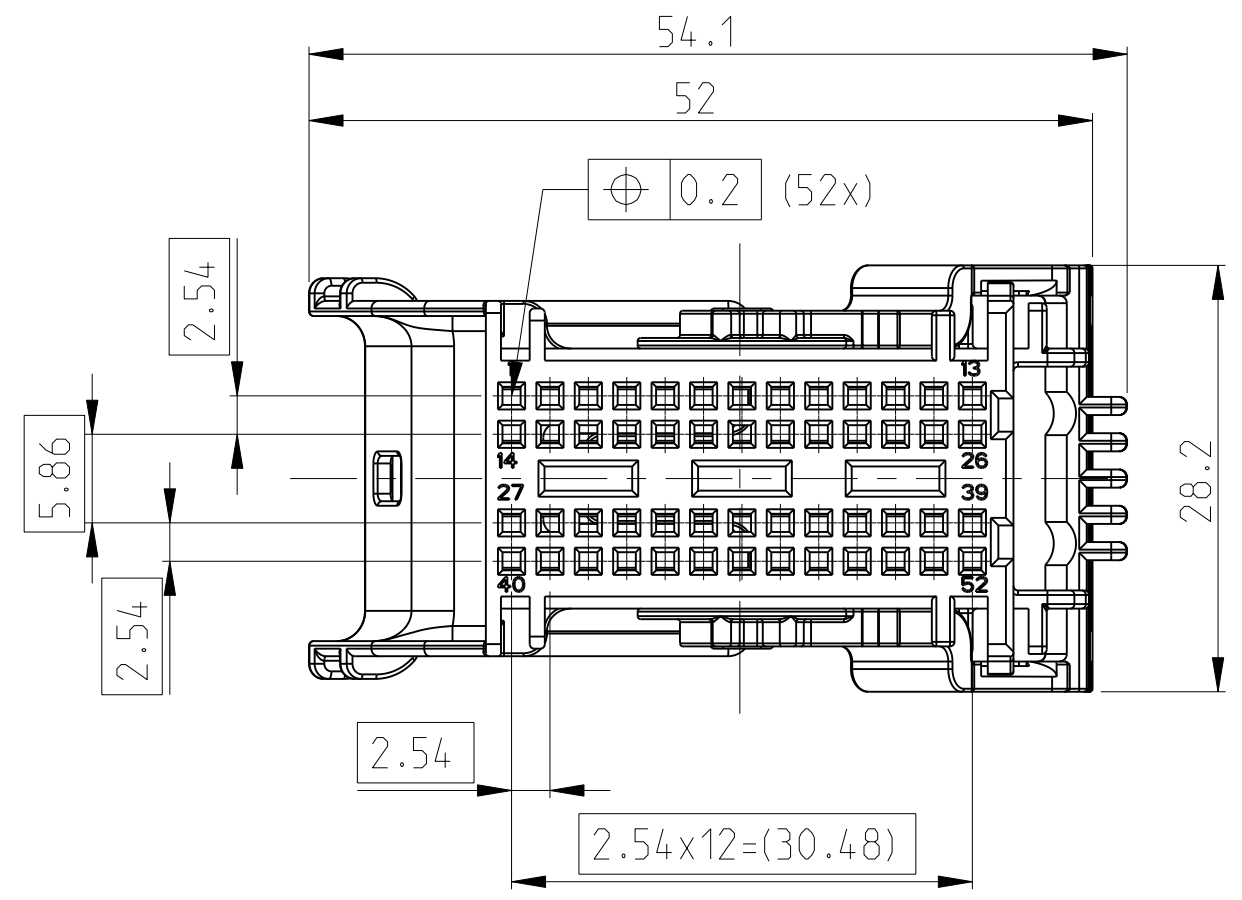
1-1703954-4
COD. D

2-1703935-4
COD. D



1-1703935-5
COD. Z

2-1703935-5
COD. Z



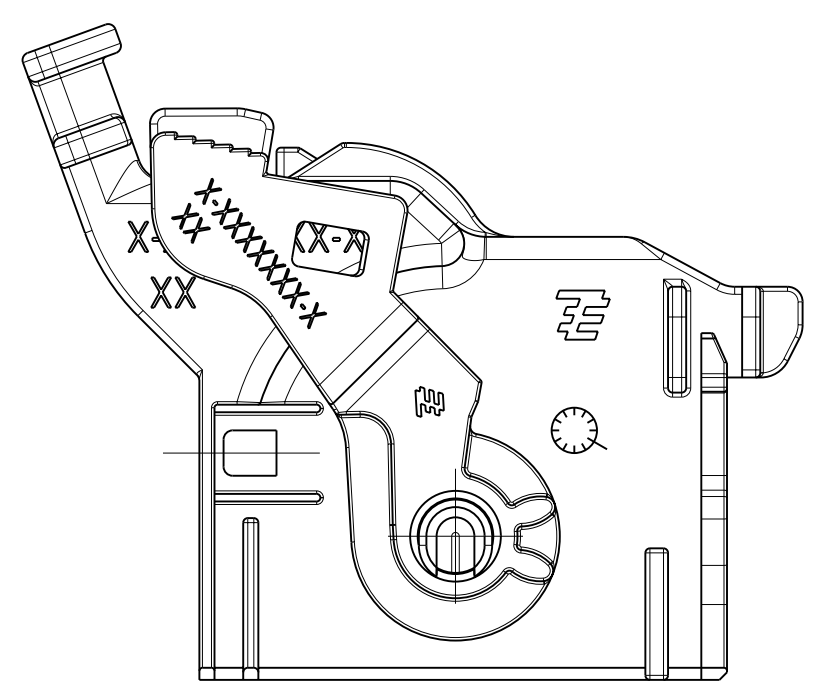
NOTES
Bemerkungen

LEVER IN PRE-LOCK POSITION, DELIVERY CONDITION
Hebel in vorraststellung, Anlieferungszustand

INTERFACE SPEC.: 114-18863
Ausführungsvorschrift:

1- -1 AS SHOWN
Wie gezeigt

Lever in end-lock position



USED WITH 127POS. HEADER	USED WITH SOCKET HSG.	TE ORDER NO.	CODING	ASSY REV.	WEIGHT [-g]	PCS.	MATERIAL	COLOR	DESCRIPTION
-	-	2-1703935-5	Z	B	10	1	PBT-GF30	ORANGE	LEVER
-	-	2-1703935-4	D	B	10	1	PA66-GF15	BLACK	SHIELD
-	-	2-1703935-3	C	B	10	1	PBT-GF30	ORANGE	LEVER
-	-	2-1703935-2	B	B	10	1	PA66-GF15	BLACK	SHIELD
-	-	2-1703935-1	A	B	10	1	PBT-GF30	ORANGE	LEVER
-	1-968326-1	1-1703935-5	Z	B	10	1	PA66-GF15	BLACK	SHIELD
-	1-968326-1	1-1703935-4	D	B	10	1	PBT-GF30	ORANGE	LEVER
-	1-968326-1	1-1703935-3	C	B	10	1	PA66-GF15	BLACK	SHIELD
-	1-968326-1	1-1703935-2	B	B	10	1	PBT-GF30	ORANGE	LEVER
1563890-1	1-968326-1	1-1703935-1	A	B	10	1	PA66-GF15	BLACK	SHIELD

DIMENSIONS:		TOLERANCES UNLESS OTHERWISE SPECIFIED:		DWN 12DEC2007		CHK H. Ripper		APVD		NAME	
mm	0 PLC	±0.5	1 PLC	±0.5	PRODUCT SPEC	ASSY 52 WAY SHIELD WITH LEVER FOR MOS 2x26 SOCKET HOUSING					
	2 PLC	±0.5	3 PLC	±0.5	APPLICATION SPEC	SIZE CAGE CODE DRAWING NO RESTRICTED TO					
	4 PLC	±	ANGLES	±	WEIGHT	A 00779 C=1703935					
MATERIAL	FINISH			CUSTOMER DRAWING		SCALE		SHEET		REV	
						2:1		1 OF 1		B	