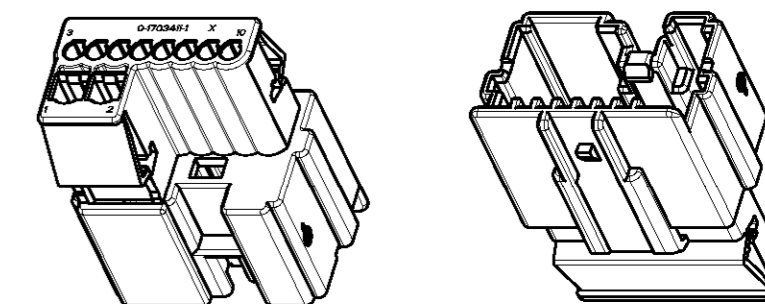
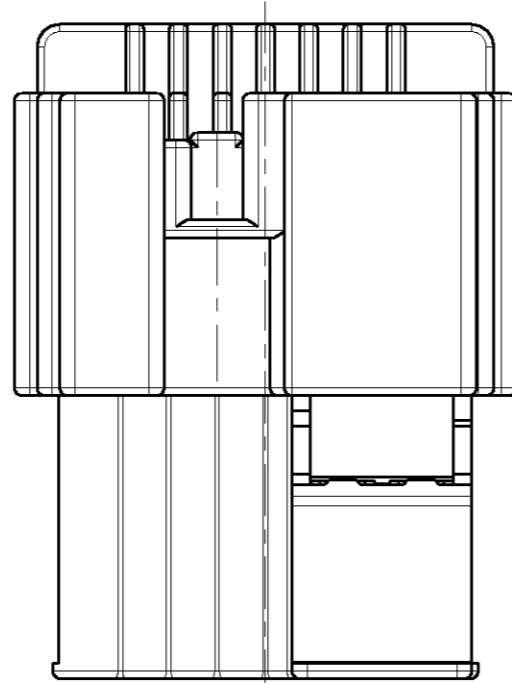
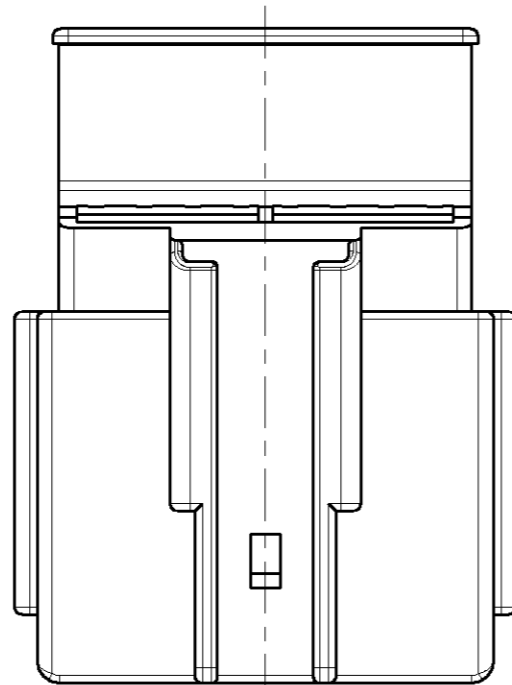
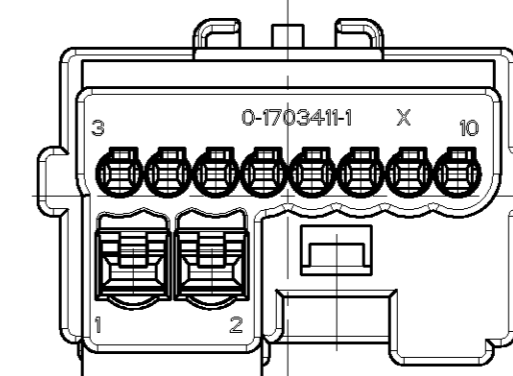
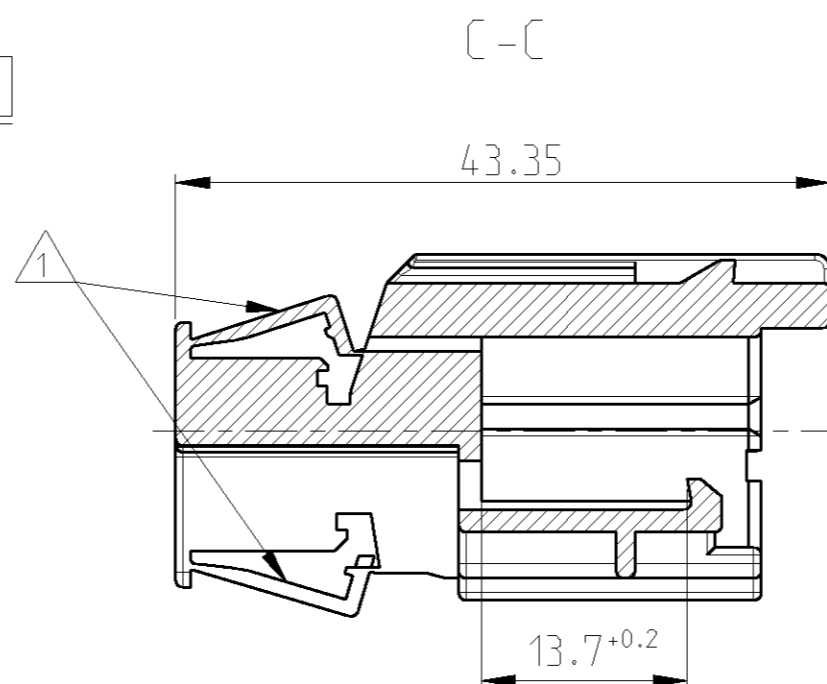
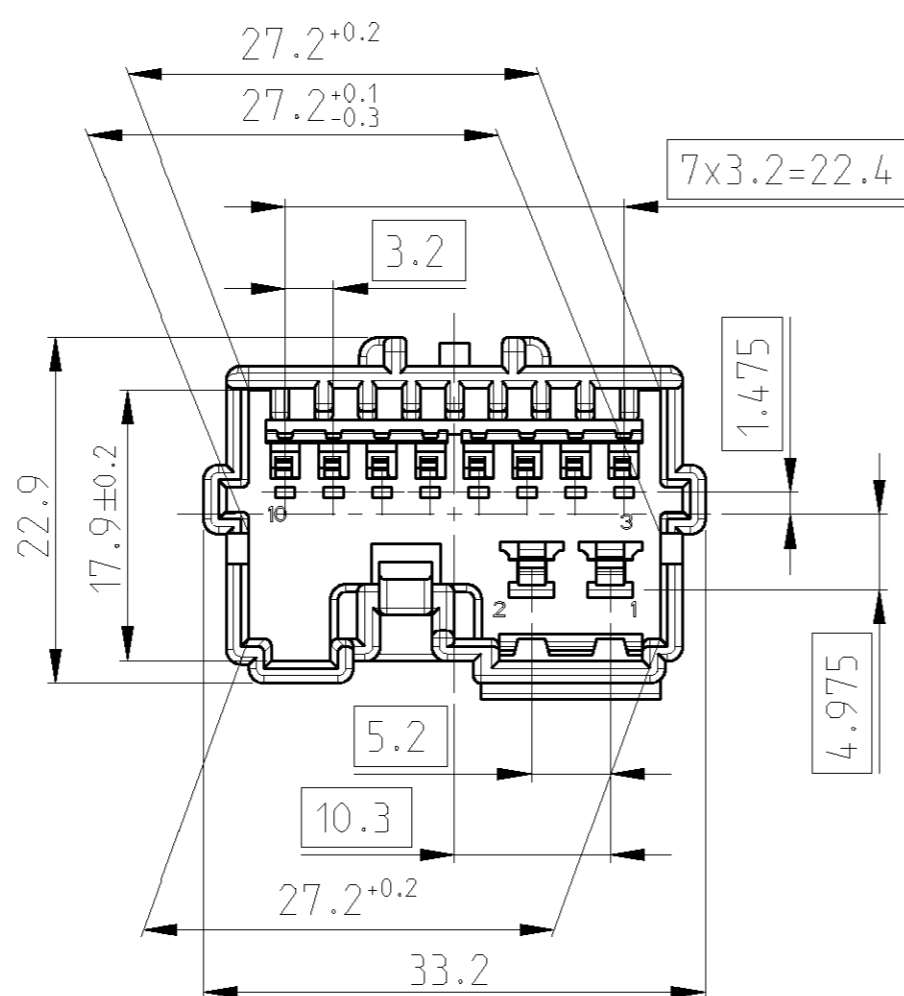
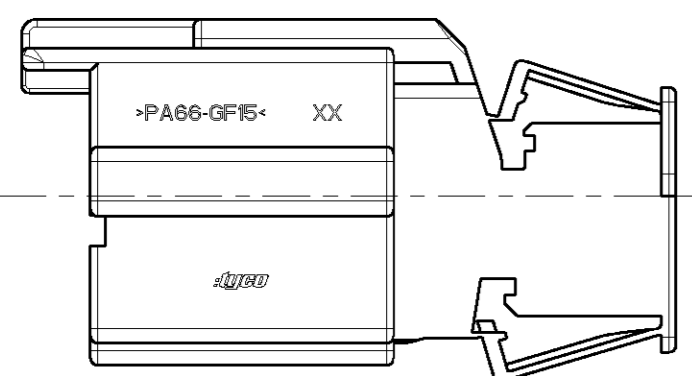


THIS DRAWING IS UNPUBLISHED. RELEASED FOR PUBLICATION 2007
 © COPYRIGHT 2007 BY TYCO ELECTRONICS CORPORATION. ALL RIGHTS RESERVED.

LOC	DIST	REVISIONS					
		P	LTR	DESCRIPTION	DATE	DWN	APVD
A1	-	A		NEW DRAWING	03MAY2007	GP	GM
		A1		ECR-07-016068	10JUL2007	GP	GM



1:1



- NOTES:
Bemerkungen:
- 1 DELIVERY CONDITION: SECONDARY LOCKS IN PRELOCKED POSITION
Zweite Kontaktsicherungen in Vorraststellung
 - 2 SUITABLE FOR TYCO-PN 1703410
Passend zu TYCO-Nr. 1703410

0-1703411-1	A	10POS.PIN.HSG.	PA66-GF15	10,10	BLACK SIMILAR RAL9011	1
PART NO	REV	DESCRIPTION	VOLUME (mm ³)	WEIGHT (g)	COLOUR	ITEM NO

THIS DRAWING IS A CONTROLLED DOCUMENT FOR TYCO ELECTRONICS CORPORATION IT IS SUBJECT TO CHANGE AND THE CONTROLLING ENGINEERING ORGANIZATION SHOULD BE CONTACTED FOR THE LATEST REVISION.		DWN G.PUCKEL 26 JAN 2007
DIMENSIONS: mm		CHK K.ROTH 29 JAN 2007
TOLERANCES UNLESS OTHERWISE SPECIFIED:		APVD G.MUMPER 29 JAN 2007
0 PLC	±0.3	PRODUCT SPEC
1 PLC	±0.3	APPLICATION SPEC
2 PLC	±0.3	
3 PLC	±	
4 PLC	±	
ANGLES	±1°	
MATERIAL	FINISH	WEIGHT

		tyco Electronics AMP GmbH 64625 Bensheim (Germany)	
NAME 10POS INLINER PIN HOUSING 8 x MCON1,2 AND 2 x AMP2,8			
SIZE	CAGE CODE	DRAWING NO	RESTRICTED TO
A2	00779	1703411	-
CUSTOMER DRAWING		SCALE 2:1	SHEET 1 OF 1 REV A1