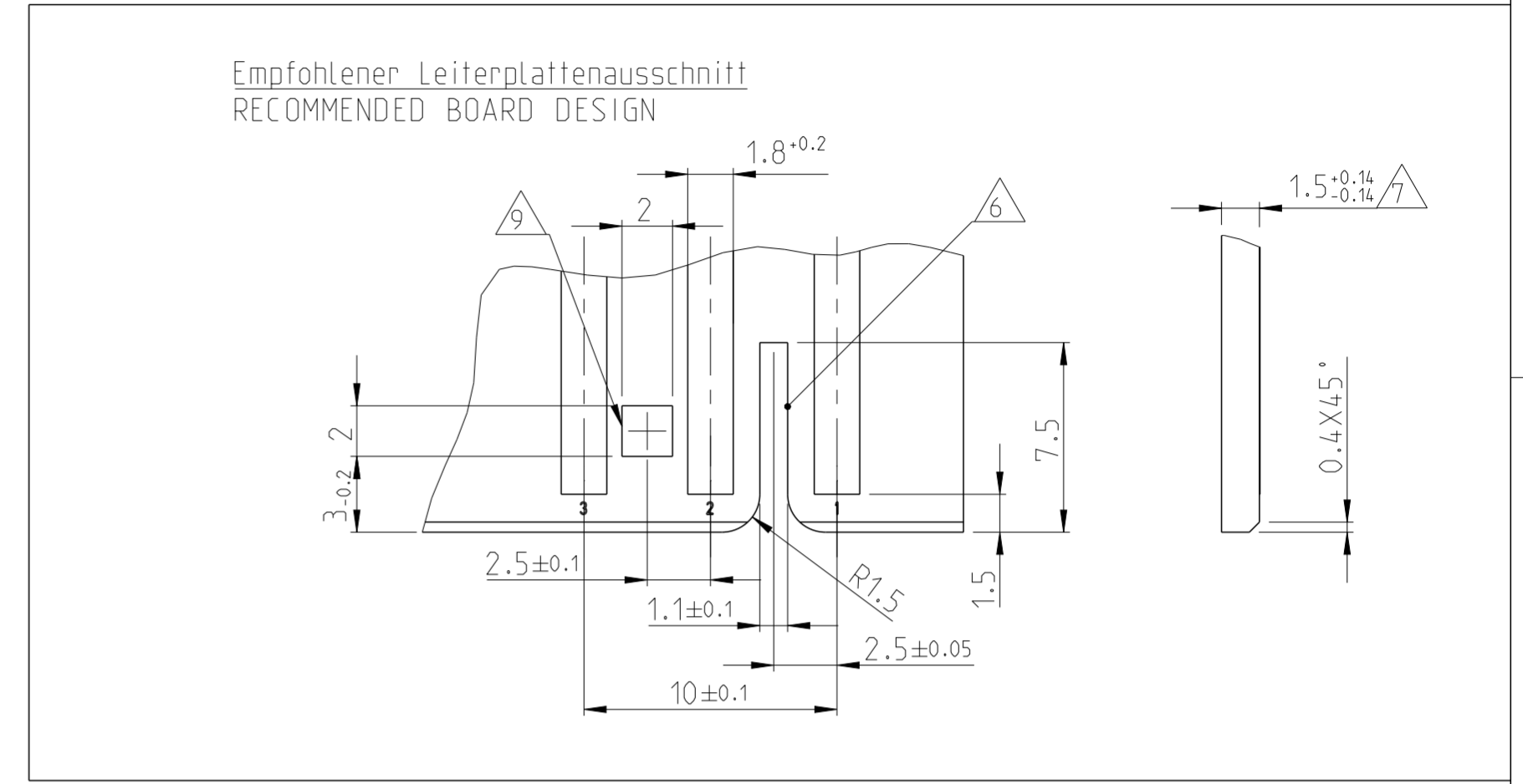
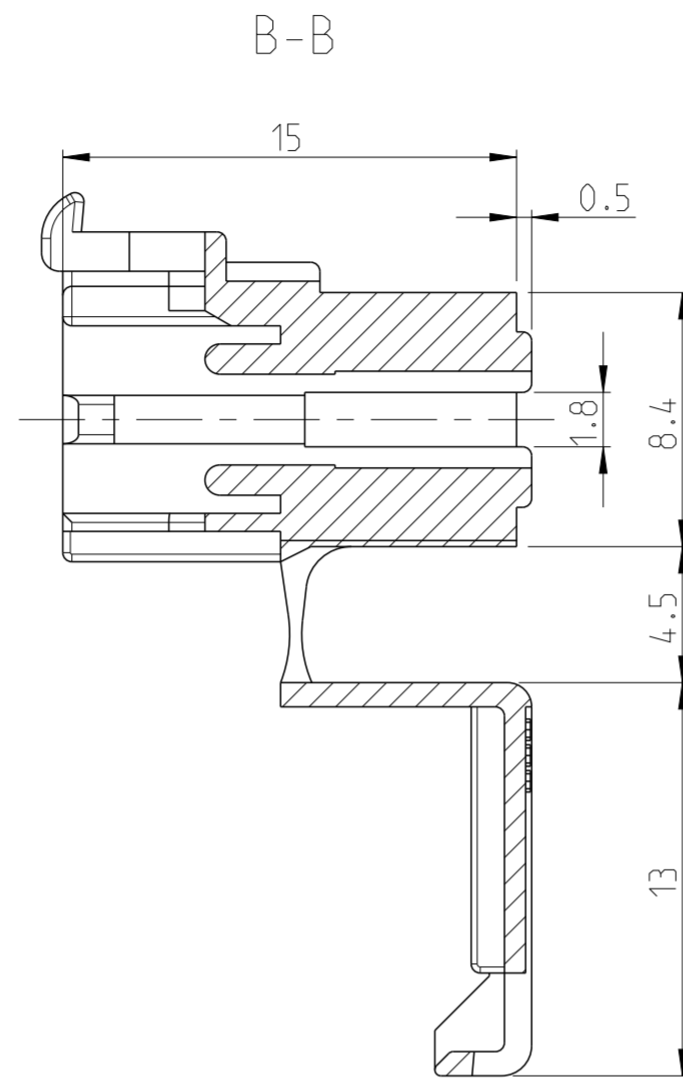
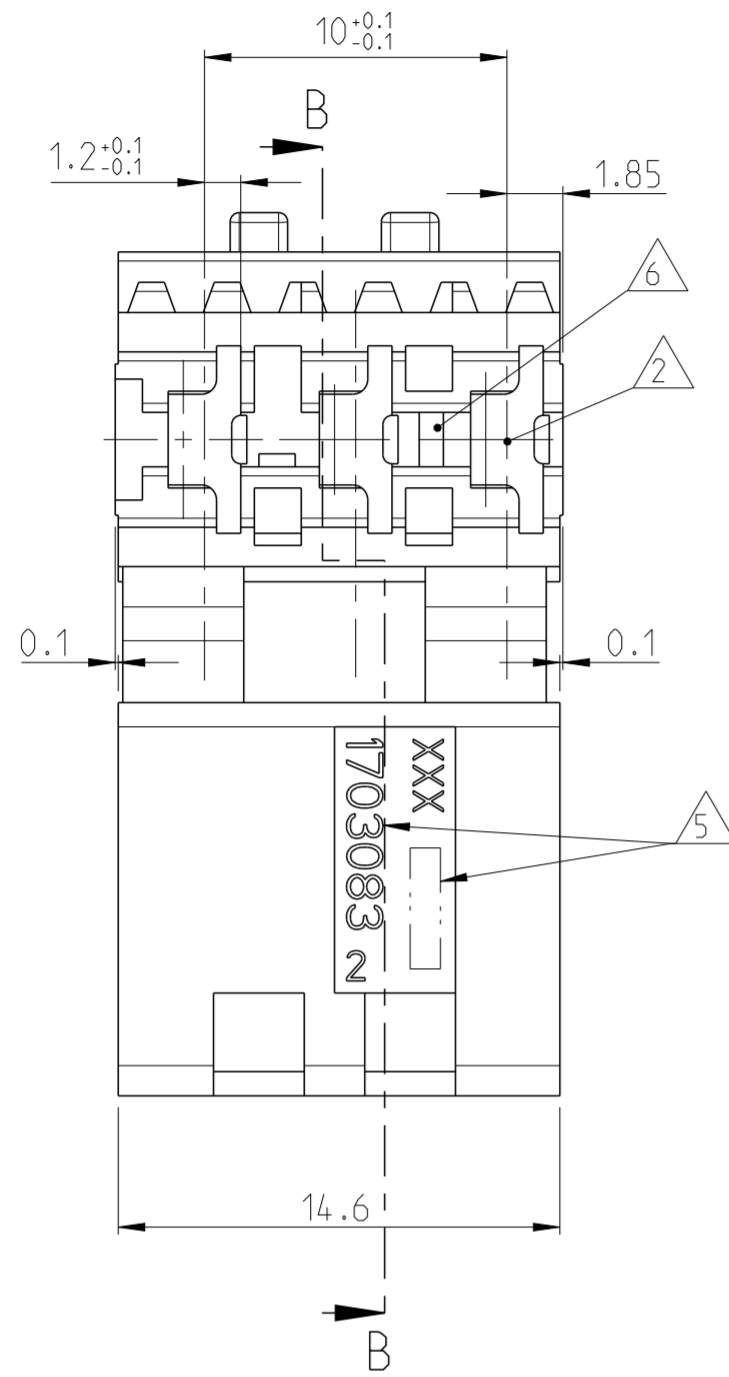


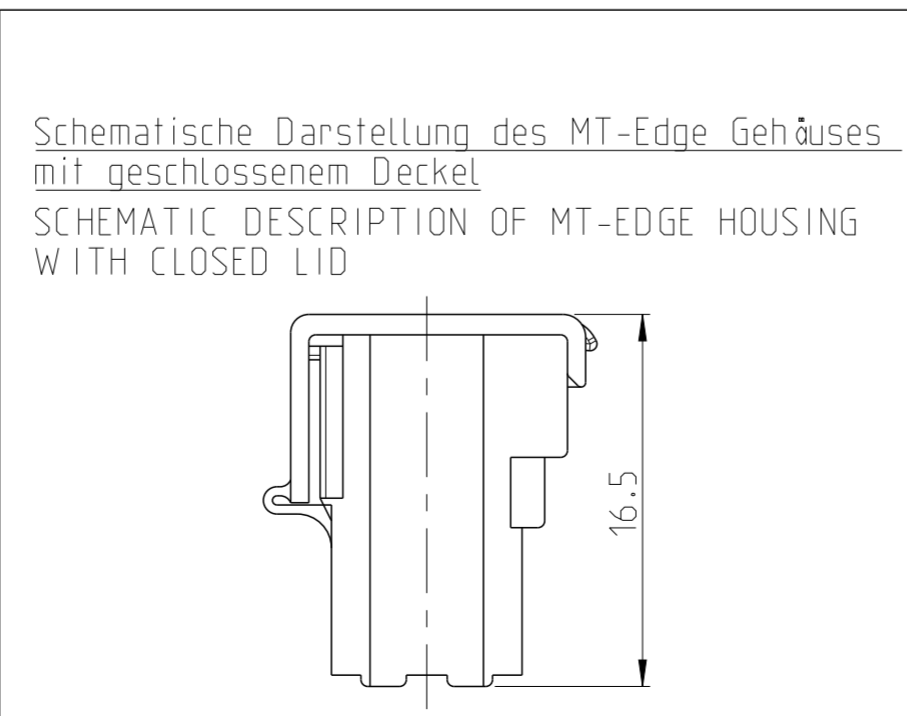
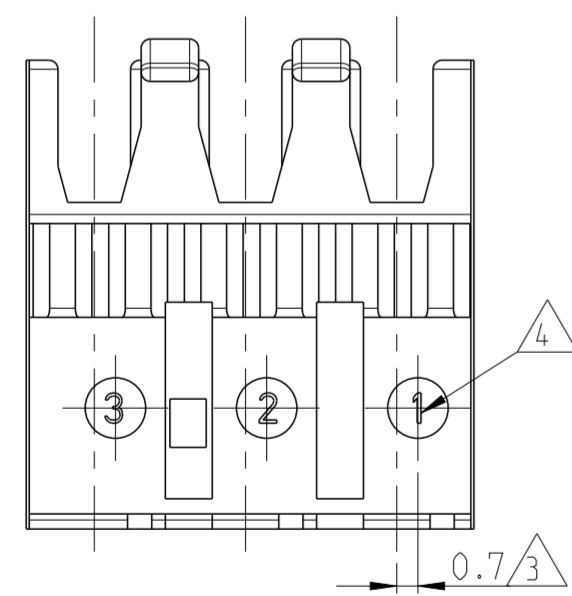
THIS DRAWING IS UNPUBLISHED. RELEASED FOR PUBLICATION  
 © COPYRIGHT copyright\_date BY - ALL RIGHTS RESERVED.

REVISIONS					
P	LTR	DESCRIPTION	DATE	DWN	APVD
	C	INITIAL RELEASE	05AUG2013	MKD	RRP



Bemerkungen  
NOTES

- 1 Massgebend ist der deutsche Text  
ONLY THE GERMAN-LANGUAGE VERSION SHALL BE BINDING
- 2 Lage des Kontaktpunktes auf der Leiterplatte; Abweichung ±0.4  
POSITION OF CONTACT POINT ON BOARD; DEVIATION ±0.4
- 3 Kontaktierung zur Drahtmitte um 0.7mm versetzt  
CONTACTING 0.7mm DISPLACED TO WIRE CENTRELINE
- 4 Kontaktkammer-Nr.  
CONTACT CAVITY #
- 5 Firmenlogo und Leergehäuse-Nr.  
ARTWORK LOGO AND HOUSING # (NON LOADED)
- 6 Kodersteg zwischen Kammer Nr. 182  
KEYING RIB BETWEEN CAVITY No. 182
- 7 Ausführung nach DIN 60249-2-4  
BOARD DESIGN ACCORDING TO DIN 60249-2-4
- 8 Crimp Kontakt-Nr.:  
Material: CuSn4 926770-1, 926917-1  
CRIMP CONTACT #: MATERIAL: CuSn4
- 9 SQUARE HOLE 2X2 mm OPTIONAL LOCKING HOLE Ø2.5 mm



1-1703083-1	MT-EDGE HOUSING	NATURE
PART-NO	DESCRIPTION	COLOUR

THIS DRAWING IS A CONTROLLED DOCUMENT.		DWN DHANESH 05AUG2013	TE Connectivity	
DIMENSIONS: mm		CHK DHANESH 05AUG2013		
TOLERANCES UNLESS OTHERWISE SPECIFIED:		APVD RAJENDRA 05AUG2013	NAME 3-WAYS MT - EDGE - HOUSING LOOSE PIECE VERSION	
0 PLC ±	±0.2	PRODUCT SPEC 108-18003	SIZE A2	CAGE CODE 00779
1 PLC ±	±	APPLICATION SPEC 114-18002	DRAWING NO C-1703083	RESTRICTED TO -
2 PLC ±	±	WEIGHT -	SCALE 4:1	SHEET 1 of 1
3 PLC ±	±	MATERIAL PA66/ UL94 V2	CUSTOMER DRAWING	REV C
4 PLC ±	±			
ANGLES	±			
FINISH	±			