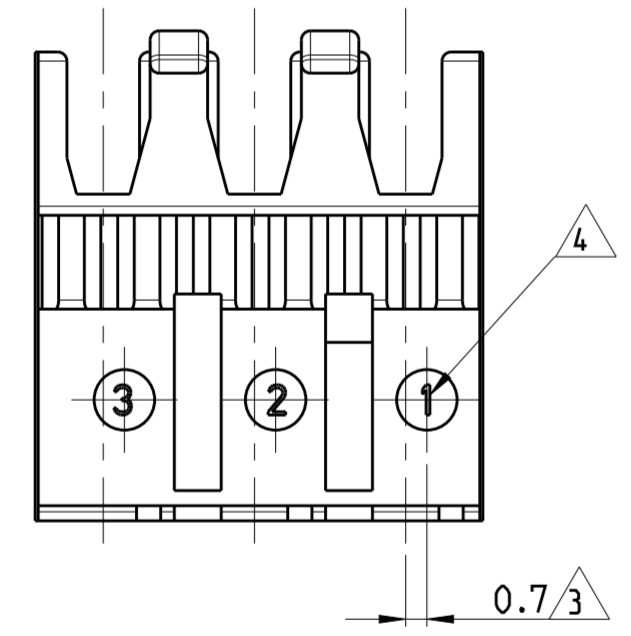
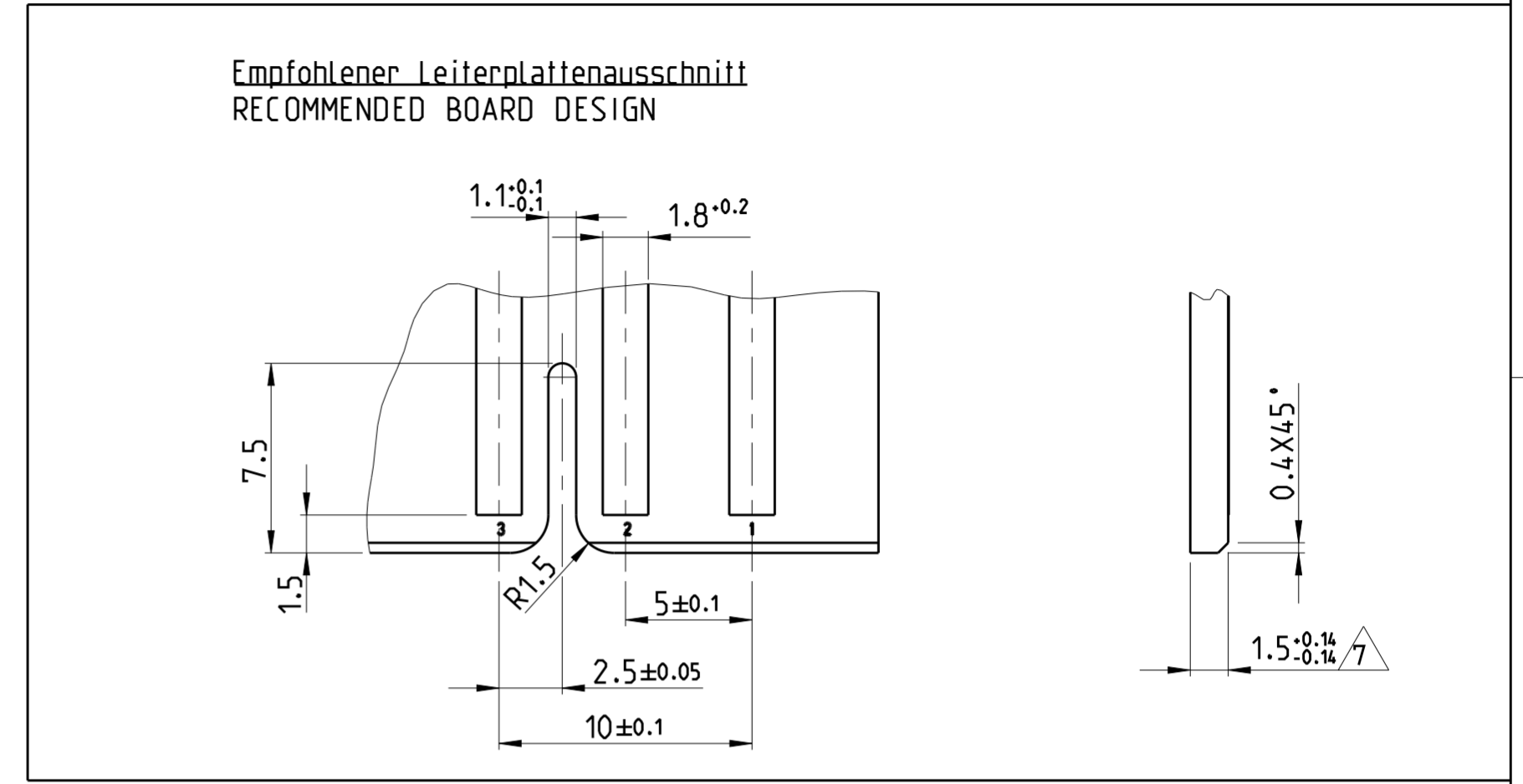
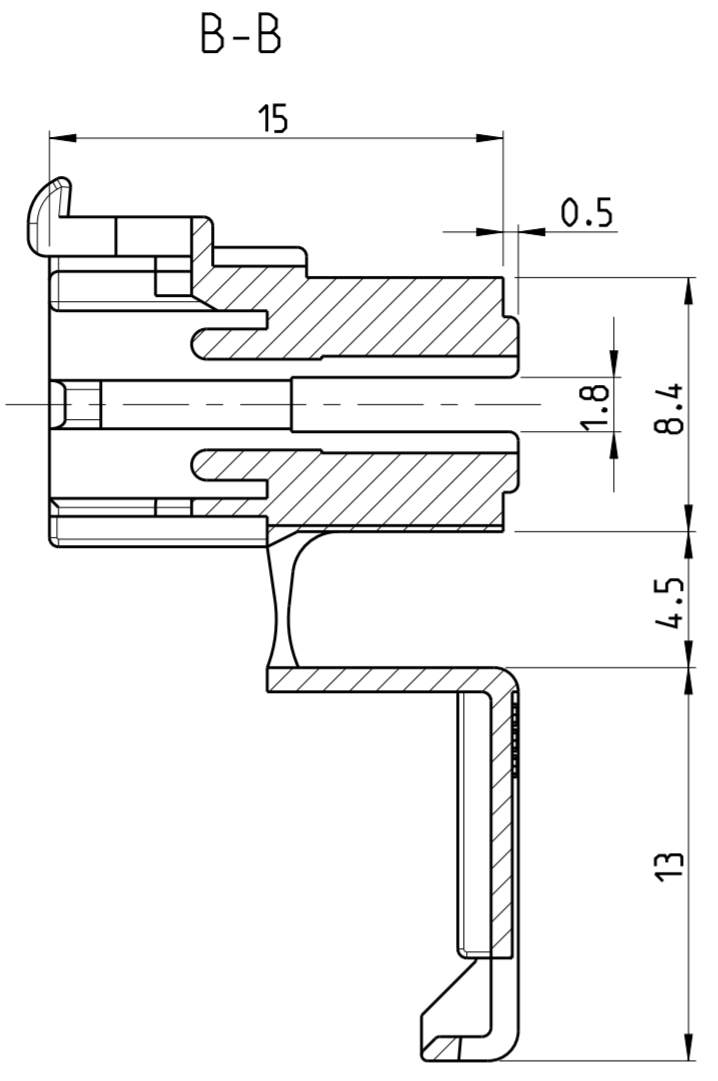
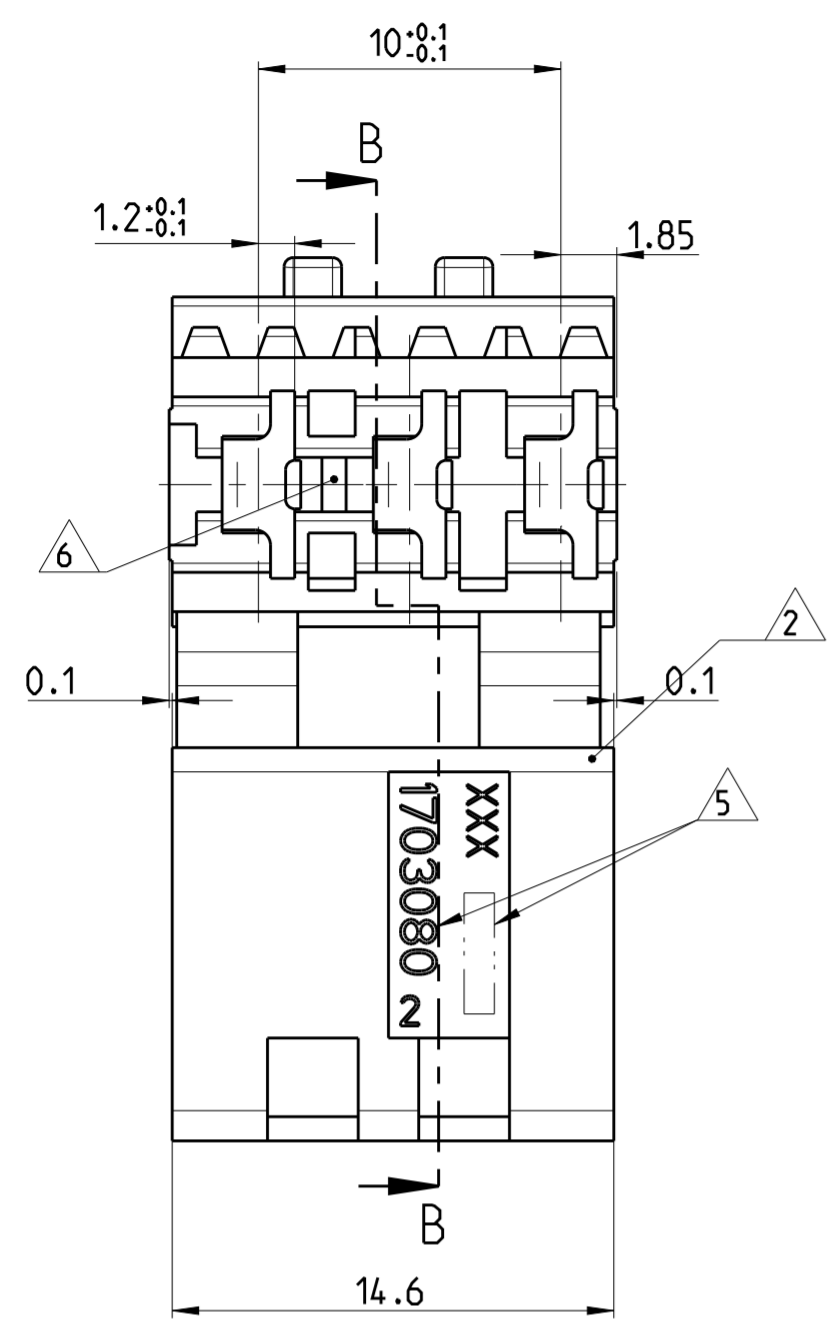


THIS DRAWING IS UNPUBLISHED. RELEASED FOR PUBLICATION
 © COPYRIGHT copyright_date BY - ALL RIGHTS RESERVED.

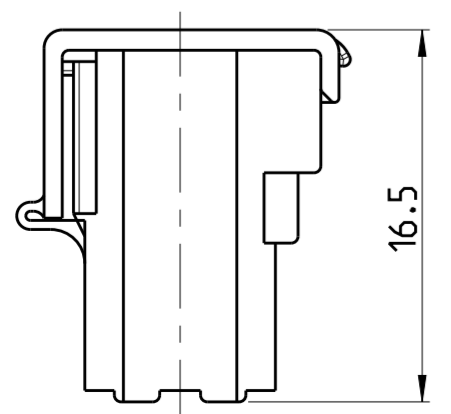
REVISIONS				
P	LTR	DESCRIPTION	DATE	APVD
B		INITIAL DRAWING	05AUG2013	MKD RRP
B1		ECR-15-006708	08MAY2015	KD RR



Bemerkungen
NOTES

- 1 Massgebend ist der deutsche Text
ONLY THE GERMAN-LANGUAGE VERSION SHALL BE BINDING
- 2 Lage des Kontaktpunktes auf der Leiterplatte; Abweichung ±0.4
POSITION OF CONTACT POINT ON BOARD; DEVIATION ±0.4
- 3 Kontaktierung zur Drahtmitte um 0.7mm versetzt
CONTACTING 0.7mm DISPLACED TO WIRE CENTRELINE
- 4 Kontaktkammer-Nr.
CONTACT CAVITY #
- 5 Firmenlogo und Leergehäuse-Nr.
ARTWORK LOGO AND HOUSING # (NON LOADED)
- 6 Kodersteg zwischen Kammer Nr. 283
KEYING RIB BETWEEN CAVIT No. 283
- 7 Ausführung nach DIN 60249-2-4
BOARD DESIGN ACCORDING TO DIN 60249-2-4
- 8 Crimp Kontakt-Nr.:
Material: CuSn4 926770-1, 926917-1
CRIMP CONTACT #: MATERIAL: CuSn4
- 9 SQUARE HOLE 2X2 mm OPTIONAL LOCKING HOLE Ø2.5 mm

Schematische Darstellung des MT-Edge Gehäuses mit geschlossenem Deckel
SCHEMATIC DESCRIPTION OF MT-EDGE HOUSING WITH CLOSED LID



SHAPE	COLOR	DISCRIPTION	P/N
	NATURE	MT-EDGE HOUSING (LOOSE PIECE VERSION)	1-1703080-1
	NATURE	MT-EDGE HOUSING (STICK VERSION)	1703080-1

THIS DRAWING IS A CONTROLLED DOCUMENT.

DIMENSIONS: mm	TOLERANCES UNLESS OTHERWISE SPECIFIED:	DWN DHANESH 08-May-15	TE Connectivity 3- WAYS MT - EDGE - HOUSING LOOSE PIECE VERSION
	0 PLC ± 1 PLC ±0.2 2 PLC ± 3 PLC ± 4 PLC ± ANGLES ±	CHK DHANESH 08-May-15	
MATERIAL PA66/ UL94V2	FINISH	APVD RAJEDRA 08-May-15	
Customer Drawing		PRODUCT SPEC 108-18003 APPLICATION SPEC 114-18002 WEIGHT -	

SIZE A2	CAGE CODE 00779	DRAWING NO. C-1703080	RESTRICTED TO -
SCALE 2:1	SHEET 1 OF 1	REV B1	