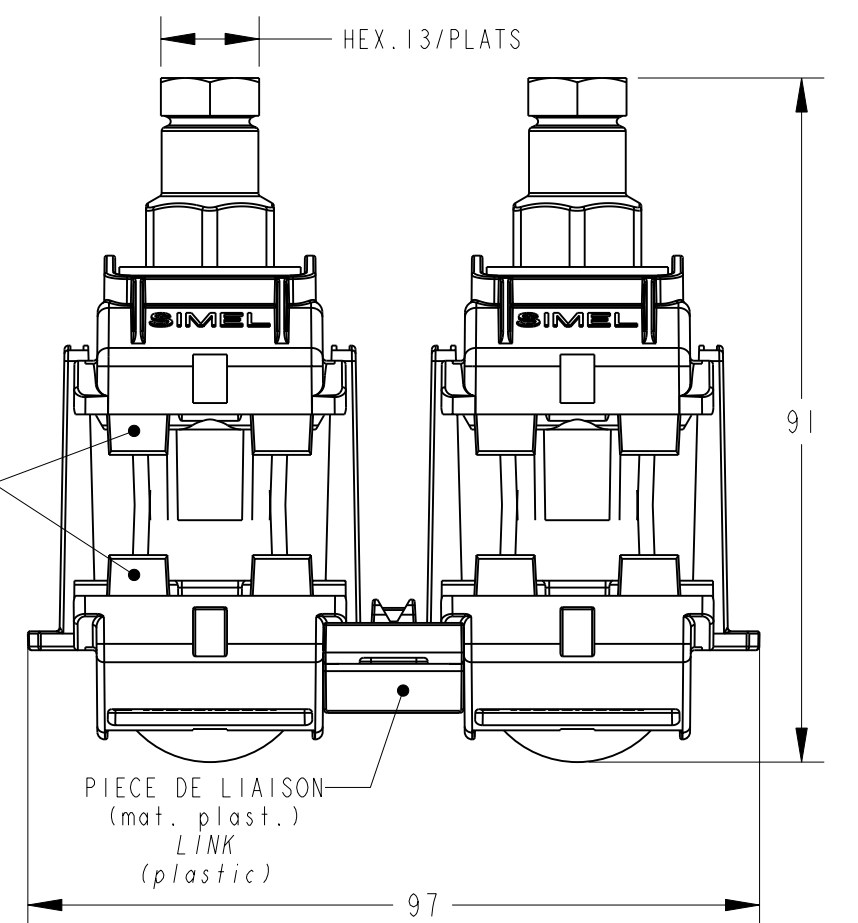
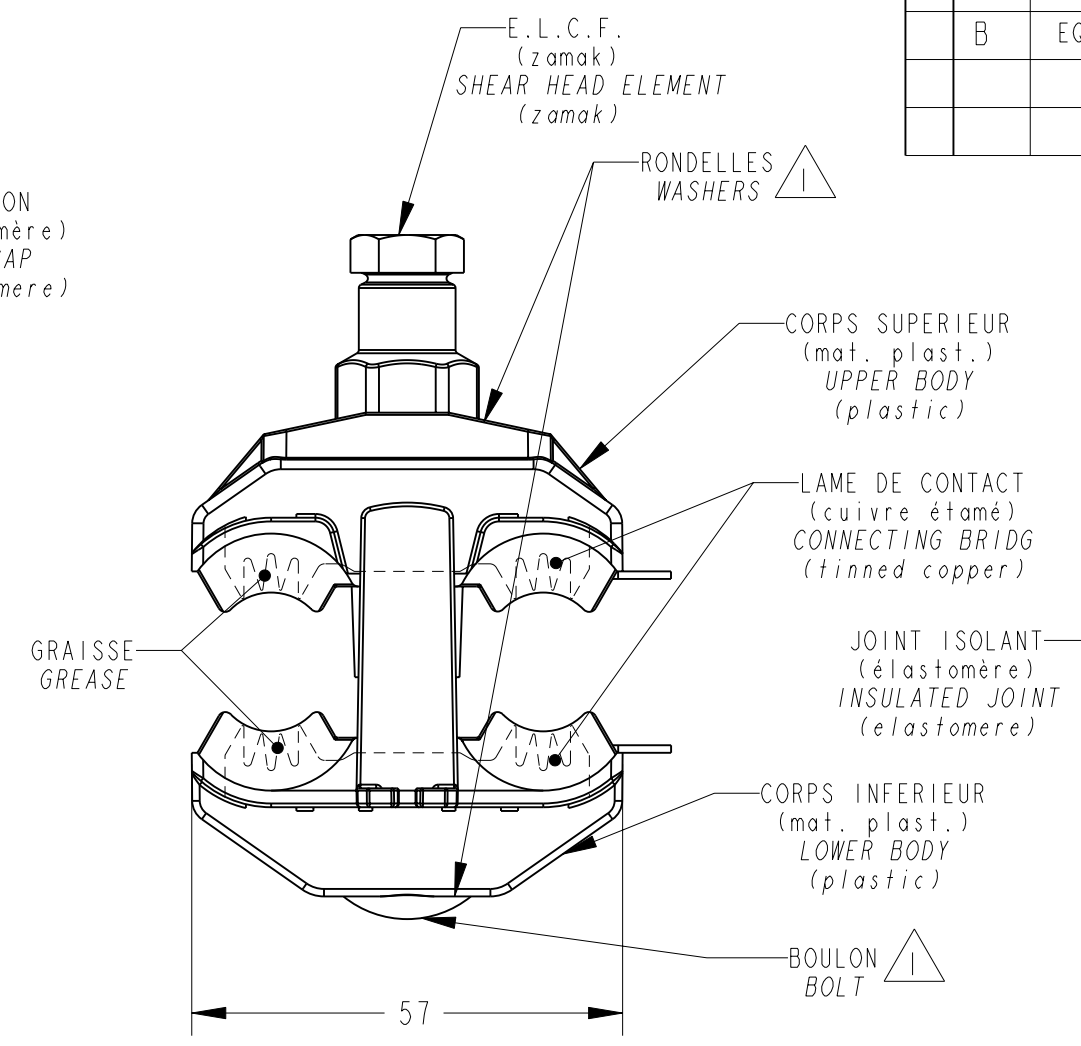
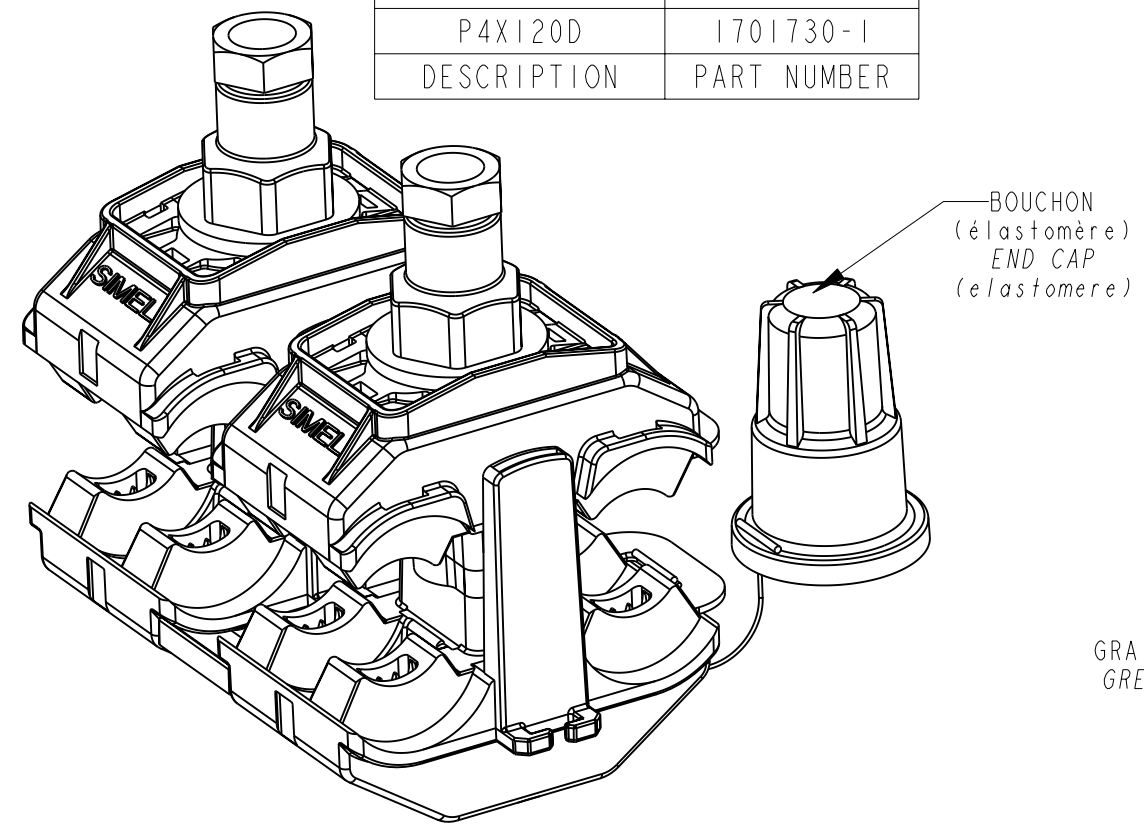


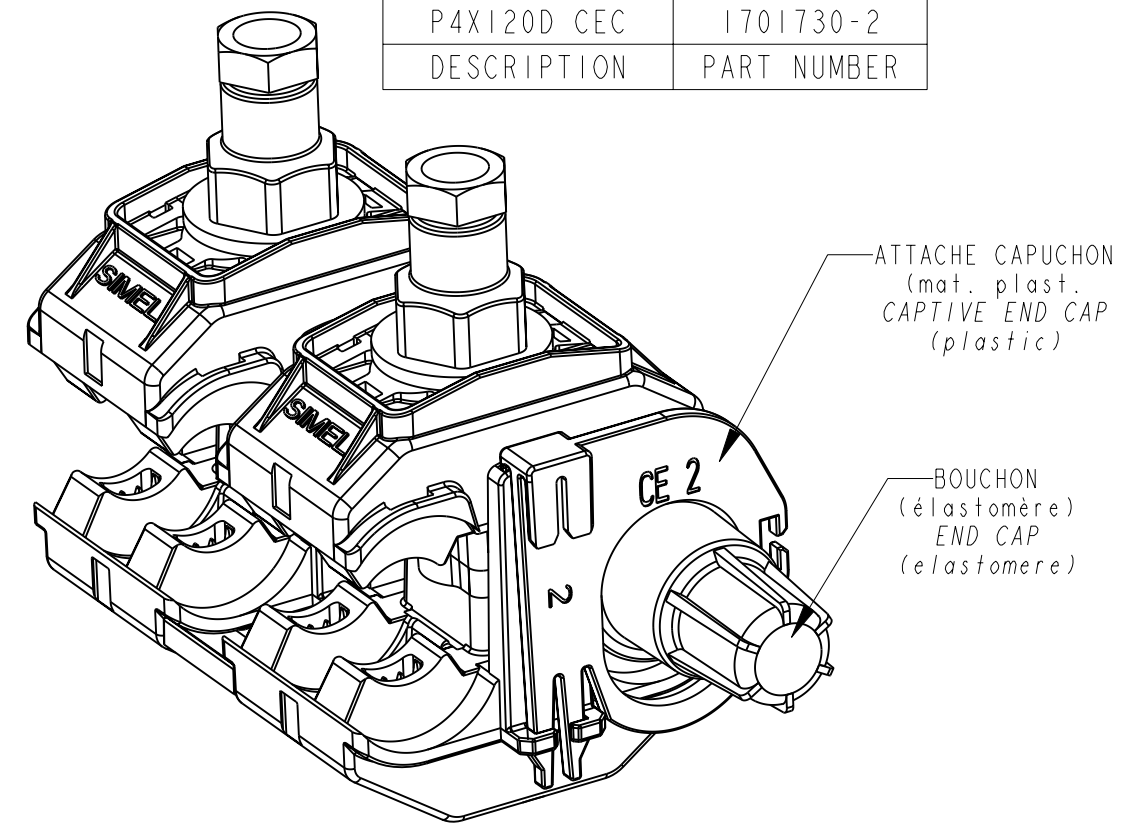
THIS DRAWING IS UNPUBLISHED. DIFFUSION RESTREINTE
 RELEASED FOR PUBLICATION LIBRE A LA DIFFUSION
 20
 © COPYRIGHT 20 BY TYCO ELECTRONICS CORPORATION. ALL RIGHTS RESERVED. TOUS DROITS RESERVES

LOC	DIST	REVISIONS				
P	LTR REV	DESCRIPTION MODIFICATIONS	DATE	DWN DESS.	APVD APP.	
FH	00	A	MODIF TRAITEMENT	22MA107	FB DM	
		B	EQ00-0021-10	20JAN2010	BG GN	

DESCRIPTION	PART NUMBER
P4X120D S	1701730-3
P4X120D	1701730-1



DESCRIPTION	PART NUMBER
P4X120D CEC	1701730-2



REFERENCE	PN	CODE	CAPACITES PRINCIPAL CAPACITIES MAIN	CAPACITES DERIVE CAPACITIES TAP	MASSE WEIGHT	COUPLE DE RUPTURE BREAKING SHEAR HEAD TORQUE	MATIERE VISSERIE HARDWARE MATERIAL
P4X120D	1701730-1	-			330g		ACIER PROTEGE PROTECTED STEEL
P4X120D CEC	1701730-2	-	25 to 120mm ²	25 to 120mm ²	335g	18Nm	
P4X120D S	1701730-3	-			325g		INOX STAINLESS STEEL

MARQUAGE: LOGO, REFERENCE, CAPACITES, LOT
 MARKING: LOGO, REFERENCE, CAPACITIES, DATE

TOLERANCES UNLESS OTHERWISE SPECIFIED
 TOLERANCES NON SPECIFIEES: -

THIS DRAWING IS A CONTROLLED DOCUMENT FOR TYCO ELECTRONICS CORPORATION IT IS SUBJECT TO CHANGE AND THE CONTROLLING ENGINEERING ORGANIZATION SHOULD BE CONTACTED FOR THE LATEST REVISION. CE PLAN EST UN DOCUMENT CONTROLE PAR TYCO ELECTRONICS CORPORATION IL EST SUSCEPTIBLE D'ETRE REVISE. CONTACTER LE SERVICE TECHNIQUE POUR OBTENIR LA DERNIERE REVISION.		DWN/DESSINE 25MAR2003 ANDRE				SIMEL PRODUCTS	
DIMENSIONS: mm 		TOLERANCES UNLESS OTHERWISE SPECIFIED: (SUIV. NO. DE DECIMALES): 0 PLC/DEC: ±0 1 PLC/DEC: ±0 2 PLC/DEC: ±0 3 PLC/DEC: ±0 4 PLC/DEC: ±0 ANGLES ±-		CHK/VERIFIE L. MAINIER APVD/APPROUVE G. NEDELLEC		NAME TITRE P4X120D - P4X120D CEC P4X120D S	
MATERIAL MATIERE -		FINISH FINITION -		PRODUCT SPEC SPEC. PRODUIT - APPLICATION SPEC SPEC. APPLICATION -		SIZE FORMAT A3 CAGE CODE - DRAWING NO No PLAN C-1701730 RESTRICTED TO RESERVE A -	
WEIGHT MASSE APPROX. - g		CUSTOMER DRAWING /PLAN CLIENT		UNIQUEMENT POUR REFERENCE		SCALE ECHELLE : SHEET FEUILLE OF DE REV B	