

LOC	DIST	REVISIONS 変更					
J	—	P	LTR	DESCRIPTION	DATE	DWN	APVD
		B		REDRAWN WITH CHANGE ECR-05-015057	08NOV05	J.S	N.Y

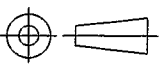

図面番号 170140 参照  
SEE DWG 170140

THIS DRAWING IS UNPUBLISHED.

ALL RIGHTS RESERVED.

BY TYCO ELECTRONICS CORPORATION.

© COPYRIGHT

DIMENSIONS: 単位: 耗 mm  TOLERANCES UNLESS OTHERWISE SPECIFIED: 一般公差  0 PLC ± - 1 PLC ± - 2 PLC ± - 3 PLC ± - 4 PLC ± - ANGLES ± -  	DWN	J.SATO	08NOV05	MATERIAL		FINISH	仕上						
	CHK	N.YAMASAKI	08NOV05	 Tyco Electronics AMP K.K. Kawasaki, Japan									
	APVD	N.YAMASAKI	08NOV05										
	PRODUCT SPEC 製品規格	—			NAME 名称 187 SERIES FLAG FASTON RECEPTACLE								
APPLICATION SPEC 取付適用規格	—			SIZE	A4	CAGE CODE	00779	DRAWING NO 番号	170141	RESTRICTED TO	—		
WEIGHT	—			CUSTOMER DRAWING				SCALE 尺度	—	SHEET	1 OF 1	REV	B