

SAFETY ORGANIZATIONS

THIS FILTER HAS BEEN FORMALLY RECOGNIZED, CERTIFIED OR APPROVED BY THE LISTED AGENCY. THEREFORE, ALL TEST/REQUIREMENTS SPECIFIED IN THE LATEST REVISION OF THE FOLLOWING AGENCY STANDARDS HAVE BEEN MET:

UL RECOGNIZED: UL 1283
 CSA CERTIFIED: CSA C22.2 No. 8
 VDE APPROVED: EN 60939-2

OPERATING SPECIFICATIONS

LINE CURRENT/VOLTAGE: 16 AMP/40°C, 277 VAC
 480VAC PHASE TO PHASE
 277VAC PHASE TO NEUTRAL/GND
 LINE FREQUENCY: 50-60Hz

MAXIMUM LEAKAGE CURRENT,
 EACH LINE TO GROUND: 62mA @ 120V 60Hz
 116mA @ 277V 50Hz

OPERATING AMBIENT TEMP. RANGE: -10°C TO +40°C @ RATED CURRENT, I_r.

IN AN AMBIENT, T_a, HIGHER THAN 40°C, THE MAXIMUM OPERATING CURRENT, I_o, IS AS FOLLOWS:

$$I_o = I_r \sqrt{\frac{85 - T_a}{45}}$$

RELIABILITY SPECIFICATIONS:

STORAGE TEMPERATURE: -40°C TO +85°C
 HUMIDITY: 21 DAYS @ 40°C 95% RH.
 CURRENT OVERLOAD TEST: 6 TIMES I_r FOR 8 SECONDS

TEST SPECIFICATIONS:

INDUCTANCE: 2.66 mH NOMINAL
 CAPACITANCE: (MEASURED @ 1KHz, 0.250VAC MAX., 25°C±1°C)
 N TO GROUND: 2.0 μF±20%
 LINE TO N: 4.5 μF±20%
 DISCHARGE RESISTOR: 330K Ω
 L/G AND L/L I.R.
 NO DISCHARGE RESISTOR: 6000MΩ (MIN.) @ 100VDC, 20°C AND 50% RH

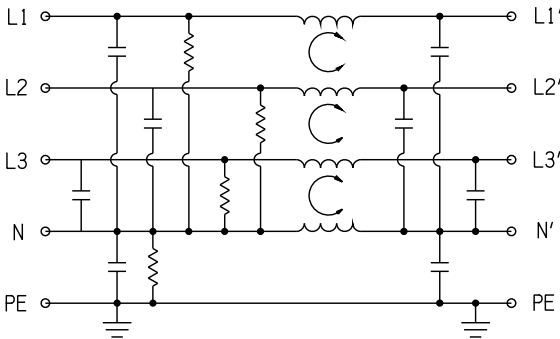
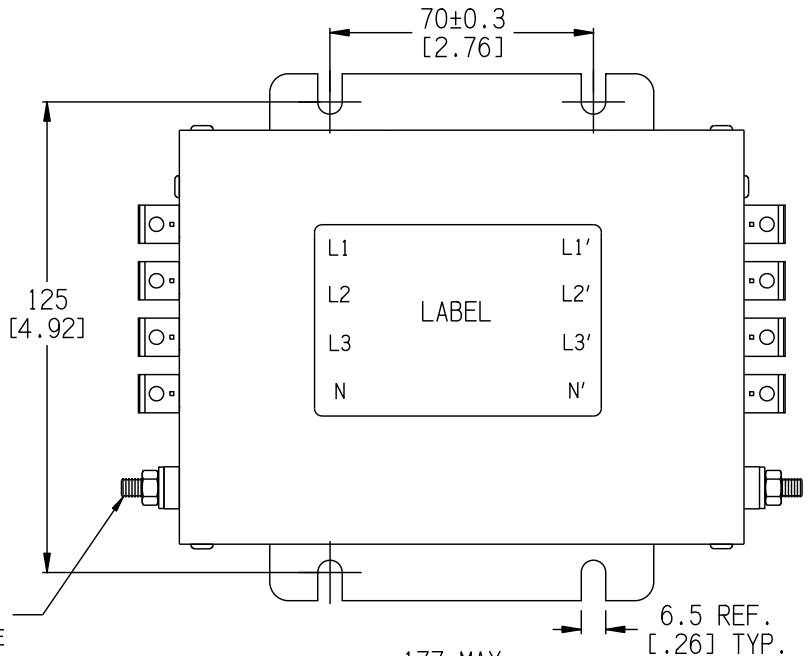
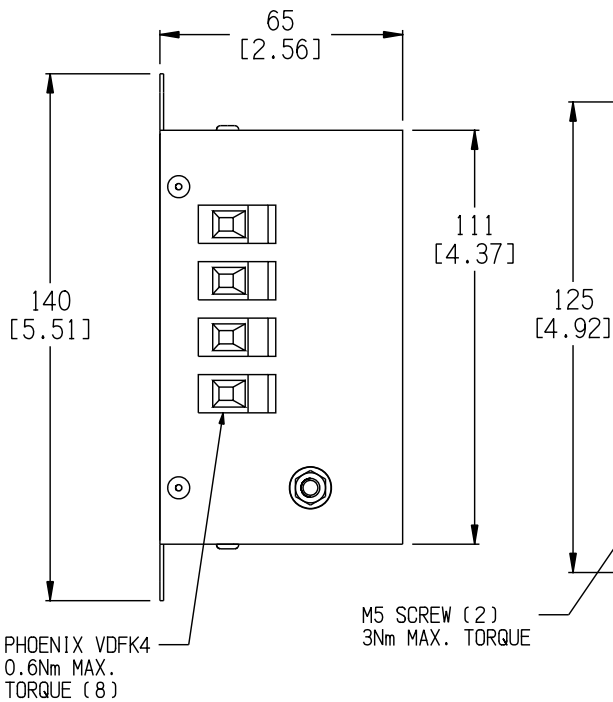
RECOMMENDED RECEIVING INSPECTION HIPOT:

LINE TO GROUND: 1850 VDC FOR 1 MINUTE
 LINE TO LINE: 1850 VDC FOR 1 MINUTE
 LINE TO NEUTRAL: 1450 VDC FOR 1 MINUTE

FILTER APPROVAL:

THE BEST WAY TO SELECT AND QUALIFY A FILTER IS FOR YOUR ENGINEERING TO TEST THE UNIT IN YOUR EQUIPMENT.

CUSTOMER DRAWING		
CATALOG # 16AYC10B		
ECN#	APPRVD	DATE
/	/	/



50 Ω - 50 Ω (MINIMUM) INSERTION LOSS

FREQUENCY MHz	.01	.05	.1	.5	1	5	10	30	/	/	/	/
COMMON dB	23	66	82	88	82	79	55	21	/	/	/	/
DIFF. dB	21	32	54	90	86	73	72	47	/	/	/	/

PARTS SHALL COMPLY WITH TYCO ELECTRONICS 138-702 SPECIFICATION FOR HAZARDOUS SUBSTANCES

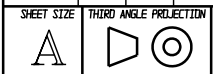
UNLESS OTHERWISE SPECIFIED
 TOLERANCE TO BE ±0.64
 MATERIAL & FINISH: AS SUPPLIED
 DIMENSIONS IN MILLIMETERS



NOTES:

RFI FILTER

TE PART NO.: 6609067-1



THIS INFORMATION IS CONFIDENTIAL AND PROPRIETARY TO TYCO ELECTRONICS CORPORATION AND ITS WORLDWIDE SUBSIDIARIES AND AFFILIATES. IT MAY NOT BE DISCLOSED TO ANYONE OTHER THAN TYCO ELECTRONICS PERSONNEL, WITHOUT WRITTEN AUTHORIZATION FROM TYCO ELECTRONICS CORPORATION. (www.TE.com)

16AYC10B-A.cxd

SCALE: 1/2	DATE: 09FEB17	DRAWING NUMBER: 16AYC10B	REV. A
DRW. BY: LJD	DRG: HS		