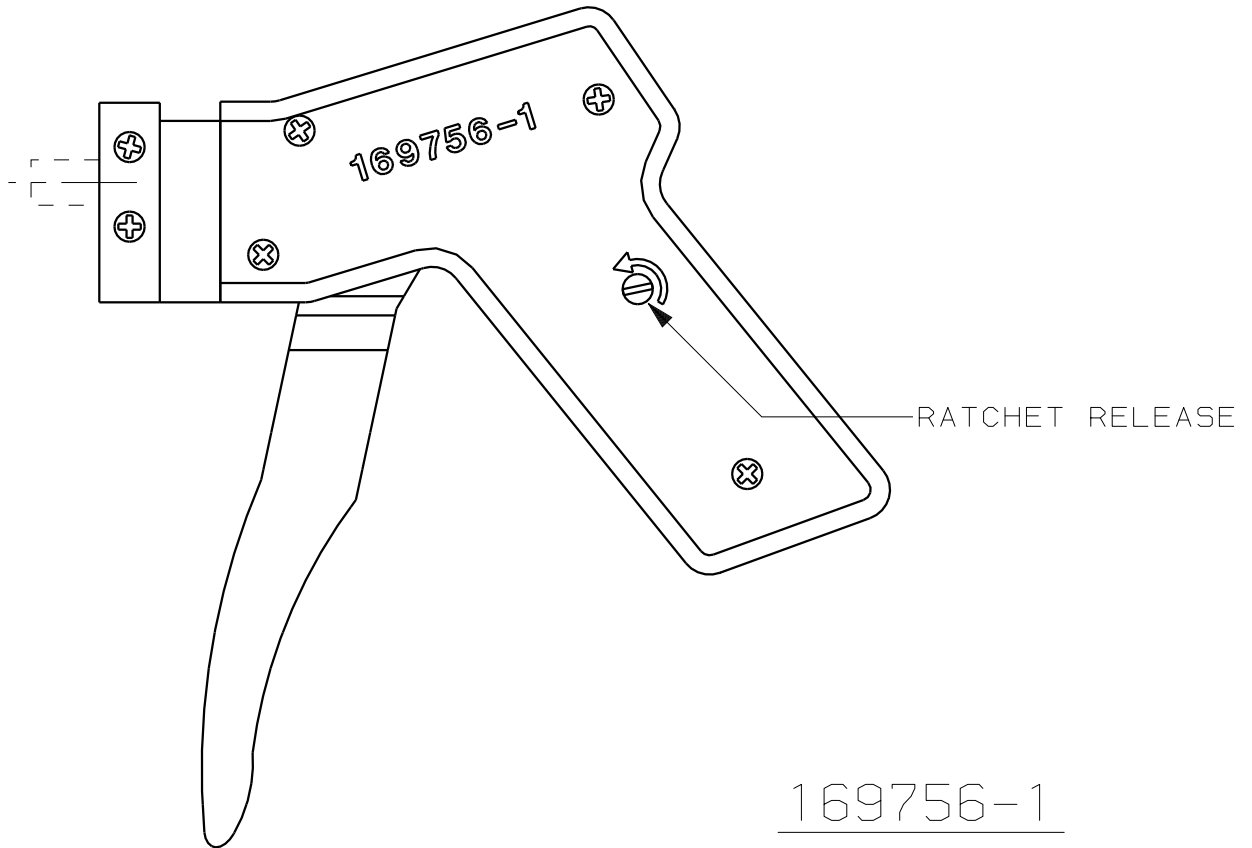
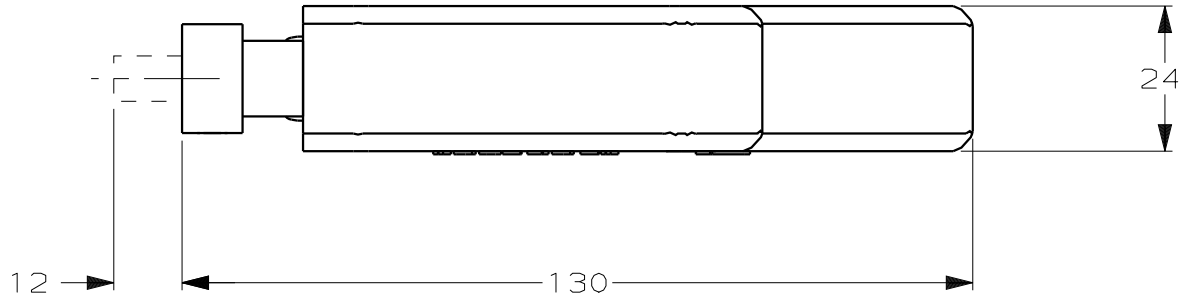
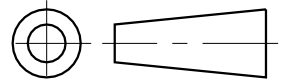


DO NOT SCALE

DIMENSIONS IN mm

METRIC

THIRD ANGLE
PROJECTION



169756-1

		FINISH	MATERIAL	PARTNUMBER	
CUSTOMER DRAWING FOR REFERENCE ONLY WILL NOT BE UPDATED	AMP		AMP-HOLLAND B.V. 's-Hertogenbosch, The Netherlands.		
	THIS DRAWING IS UNPUBLISHED		RELEASED FOR PUBLICATION 03 ,1987		
	© COPYRIGHT 1987 BY AMP-HOLLAND B.V. ALL INTERNATIONAL RIGHTS RESERVED. AMP PRODUCTS MAY BE COVERED BY U.S. AND FOREIGN PATENTS AND/OR PATENTS PENDING.				
	DR. L.V.D.HEYDEN	DATE 08.04.1988	WIRE RANGE -	PISTOLGRIP HANDTOOL	
CHK. R.VOS	DATE	INSUL. RANGE -	REV. DATE D M Y 08 04 88		
APP. L.VAN SOEST	DATE	SIZE A4	SHEET 1 OF 1	DWG. No. 169756	REV. LTR. 0