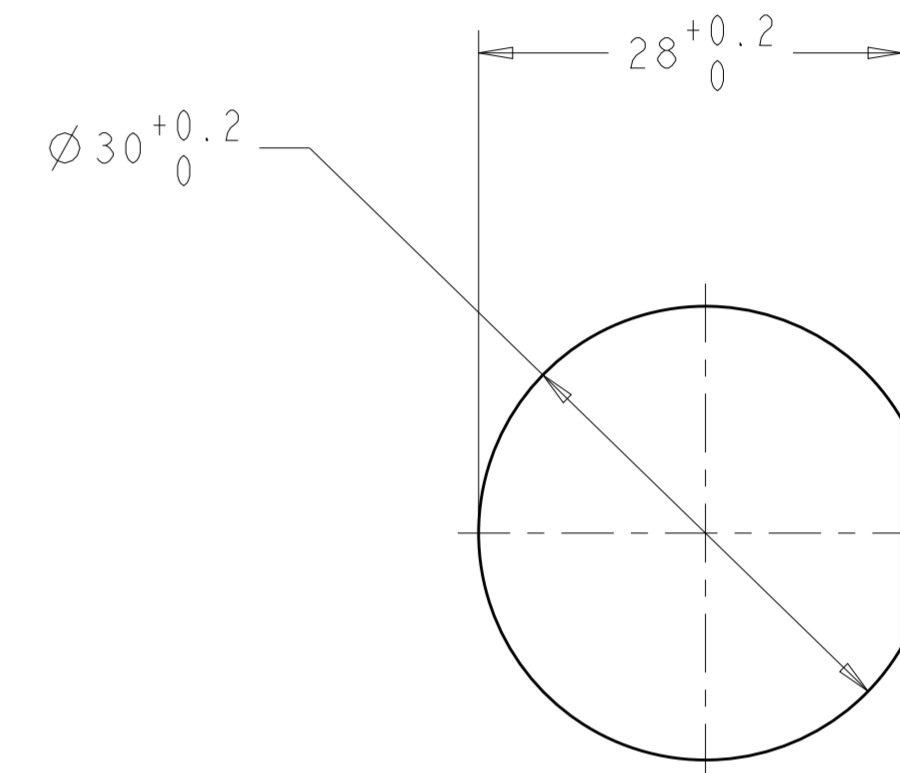
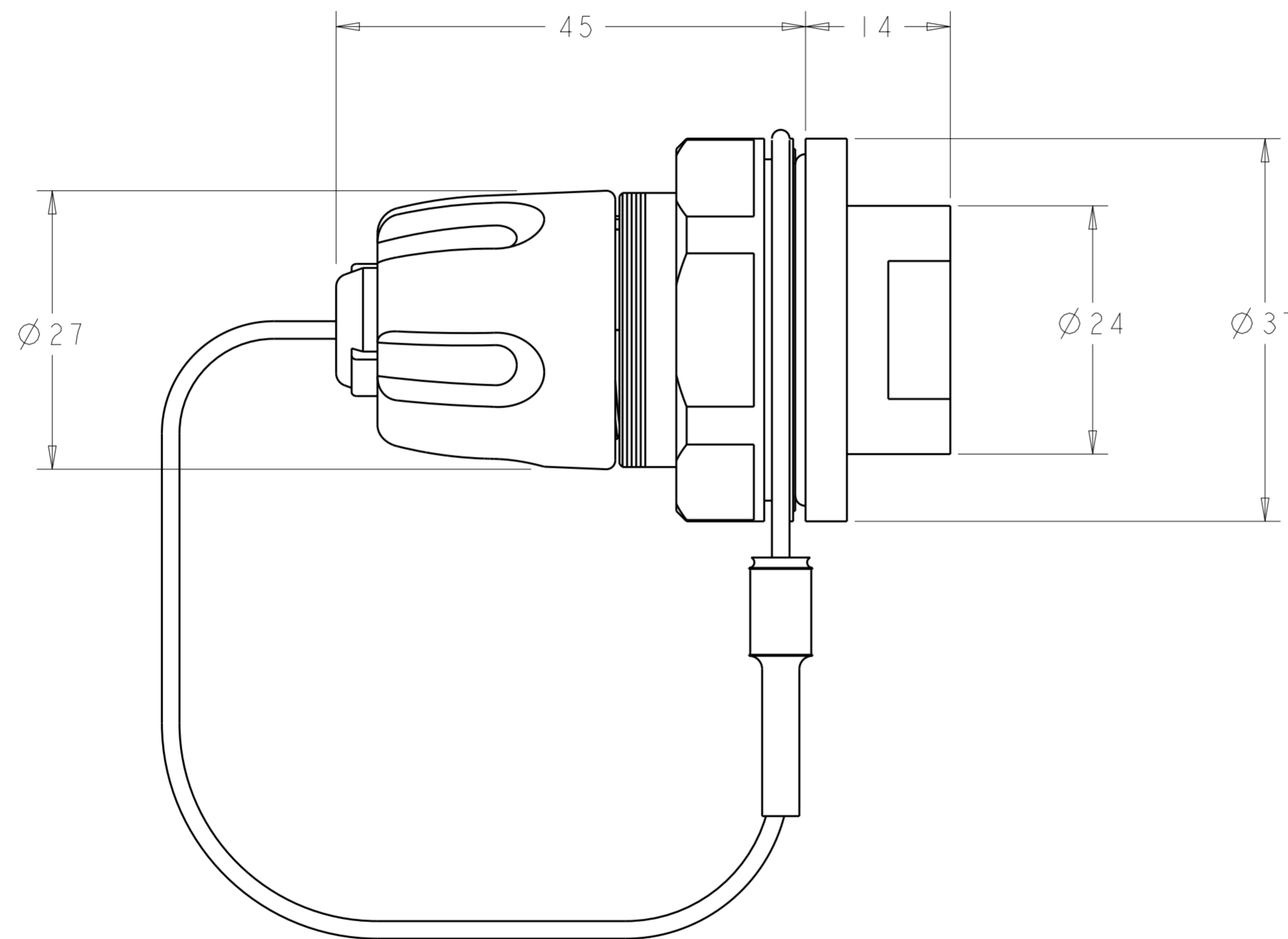


- 1. ASSEMBLY SHOWN FOR REFERENCE ONLY. SHIPPED LOOSE PIECE AS SHOWN ON PAGE 2.
- 2. ALL ASSEMBLY DIMENSIONS ARE FOR REFERENCE ONLY.
- △3 PANEL SHOULD BE BETWEEN 1mm AND 6.5mm THICKNESS.
- 4. ADD ANY PRO BEAM JR. INSERT TO COMPLETE THE CONNECTOR KIT.

REVISIONS					
P	LTR	DESCRIPTION	DATE	DWN	APVD
C1		ECR-16-007228	18MAY2016	KG	DW
D		ECR-17-013284	11SEP2017	KG	DW
D1		ECR-19-017391	14NOV2019	LN	DW



△3 RECOMMENDED PANEL CUT-OUT

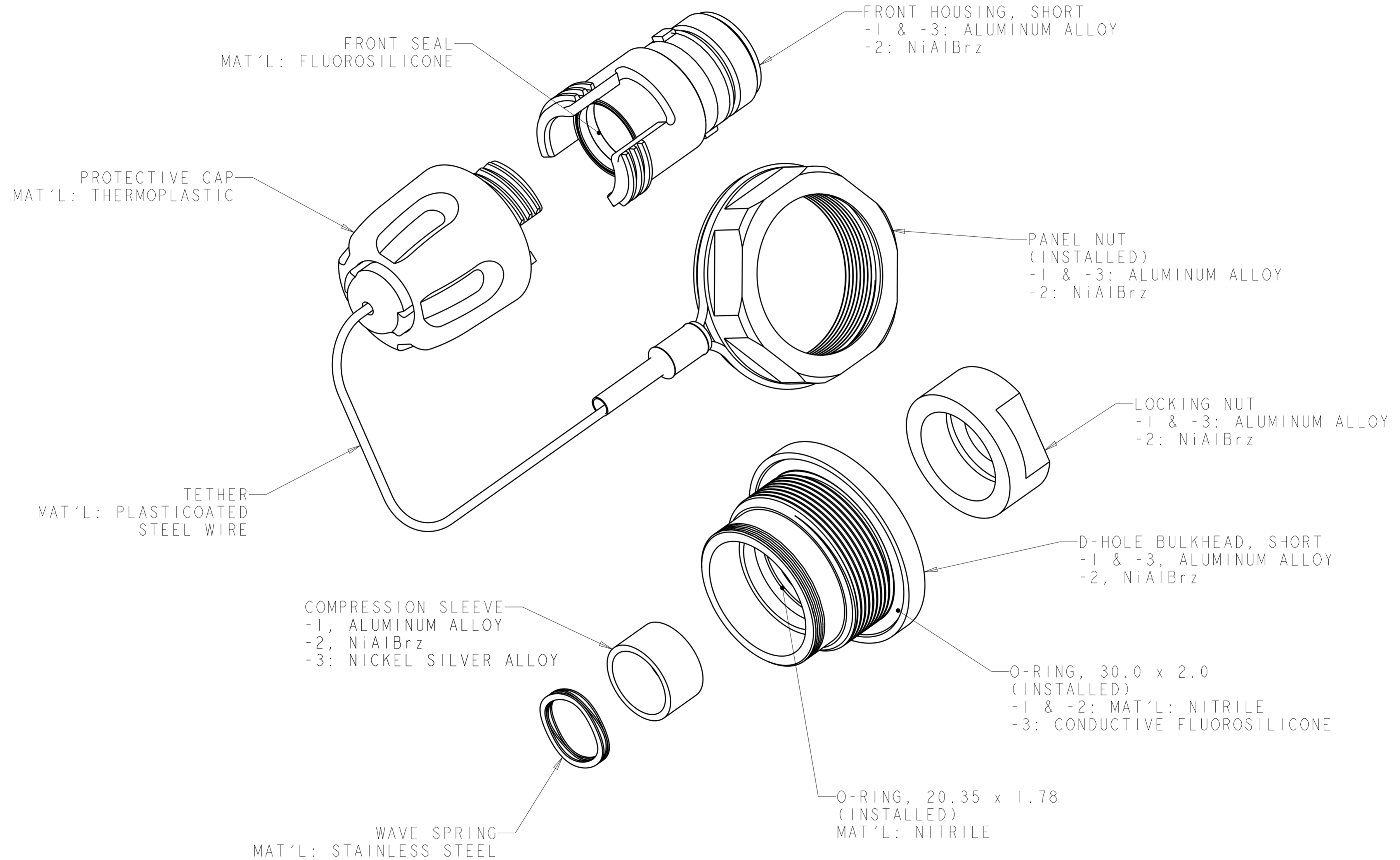
BLACK Zn-Ni	ALUMINUM	D	1693741-3
NONE	NICKEL ALUMINUM BRONZE	D	1693741-2
HARD ANODIZE	ALUMINUM	D	1693741-1
FINISH	HOUSING ALLOY	PART REVISION	PART NUMBER

THIS DRAWING IS A CONTROLLED DOCUMENT.		DWN K. GLATFELTER 16 JUL 2003	<b>STE</b> TE Connectivity	
DIMENSIONS:		CHK D. WERTMAN 17 JUL 2003	NAME CONNECTOR SHELL KIT, PRO BEAM JR., D-HOLE BULKHEAD, LOW PROFILE	
mm		APVD D. WERTMAN 18 JUL 2003		
TOLERANCES UNLESS OTHERWISE SPECIFIED:		PRODUCT SPEC	SIZE	CAGE CODE
0 PLC ±	1 PLC ±	APPLICATION SPEC	A200779	DW-1693741
2 PLC ±	3 PLC ±	WEIGHT	SCALE	SHEET
4 PLC ±	ANGLES ±	CUSTOMER DRAWING	2:1	1 OF 2
FINISH	SEE TABLE	REV	D1	

THIS DRAWING IS UNPUBLISHED. RELEASED FOR PUBLICATION 20  
 © COPYRIGHT 20 BY - ALL RIGHTS RESERVED.

REVISIONS				
P	LTR	DESCRIPTION	DATE	APVD
-		SEE SHEET 1	-	-

1. CONNECTOR SHELL KIT SHIPPED LOOSE PIECE AS SHOWN.



THIS DRAWING IS A CONTROLLED DOCUMENT.		DWN K. GLATFELTER 16 JUL 2003	<b>STE</b> TE Connectivity	
		CHK D. WERTMAN 17 JUL 2003		
		APVD D. WERTMAN 18 JUL 2003	NAME CONNECTOR SHELL KIT, PRO BEAM JR., D-HOLE BULKHEAD, LOW PROFILE	
DIMENSIONS: mm		PRODUCT SPEC -	SIZE A200779	CAGE CODE C-1693741
TOLERANCES UNLESS OTHERWISE SPECIFIED: 0 PLC ± 1 PLC ± 2 PLC ± 3 PLC ± 4 PLC ± ANGLES ± FINISH		APPLICATION SPEC -	DRAWING NO -	RESTRICTED TO -
MATERIAL AS LISTED		WEIGHT -	SCALE 2:1 SHEET 2 OF 2 REV D1	
		CUSTOMER DRAWING		