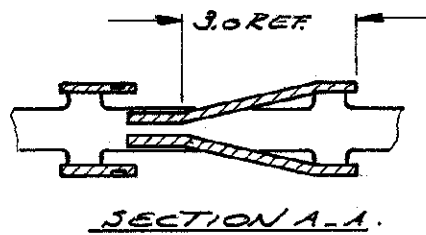
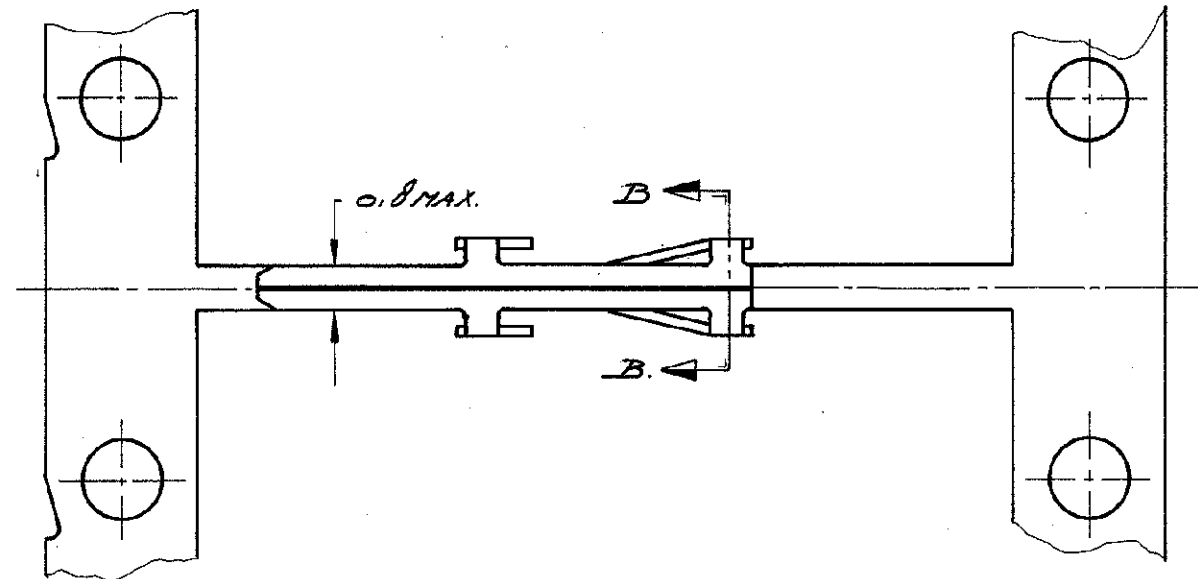
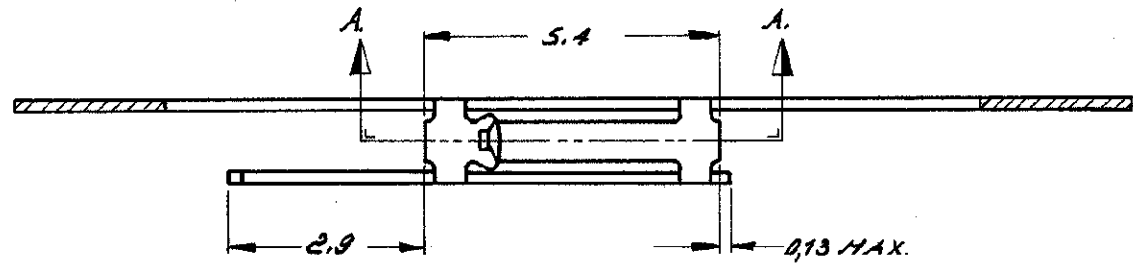
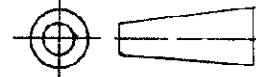


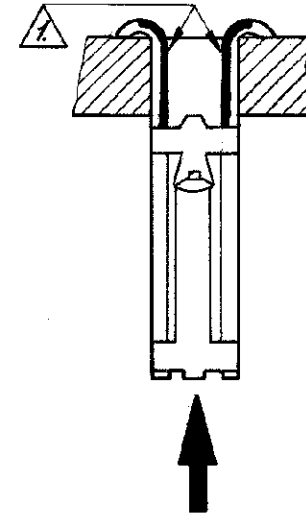
DO NOT SCALE
DIMENSIONS IN mm

METRIC

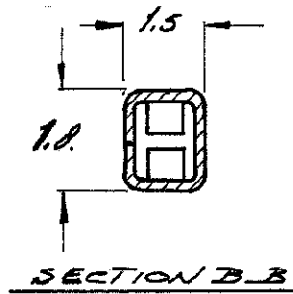
THIRD ANGLE
PROJECTION



TYPICAL APPLICATION



POST ENTRY



PRELIMINARY

NOTES:

- 1. SOLDER RESIST COATING
- 2. REELED FOR MINI APPLICATOR
- 3. REELED FOR STANDARD APPLICATOR.

FINISH	MATERIAL	PART NUMBER	
TINPLATED	PHOSPHORBRONZE	167652-2	3
TINPLATED	PHOSPHORBRONZE	167652-1	2

CUSTOMER DRAWING		AMP		AMP-HOLLAND B.V. 's-Hertogenbosch, The Netherlands	
		FOR REFERENCE ONLY WILL NOT BE UPDATED		THIS DRAWING IS UNPUBLISHED RELEASED FOR PUBLICATION	
© COPYRIGHT 1983 BY AMP-HOLLAND B.V. ALL INTERNATIONAL RIGHTS RESERVED. AMP PRODUCTS MAY BE COVERED BY U.S. AND FOREIGN PATENTS AND/OR PATENTS PENDING.		NAME		REV. DATE	
DR. 25.8.83 Th. Huisman		REC. CONTACT, MOD II		D M Y	
CHK. 25/8 '83		STRIP, SHORT POINT OF CONTACT (TYPE B)		7 12 83	
APP. 30.8.83		SIZE	SHEET	DRAWING NO	
		A3	1 OF 1	C-167652	
				REV. LTR.	
				A	