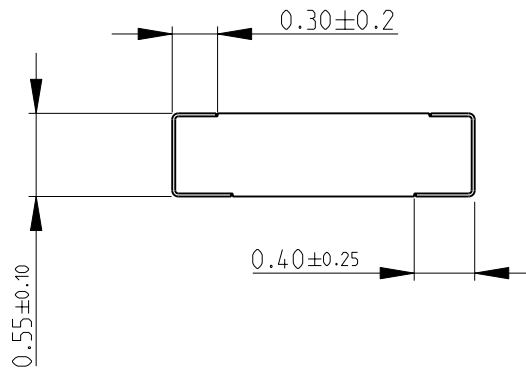
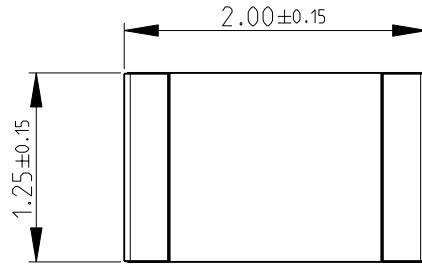
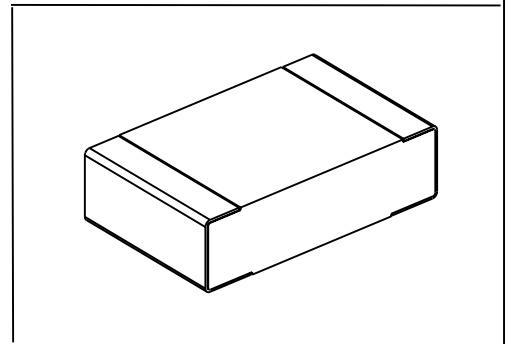
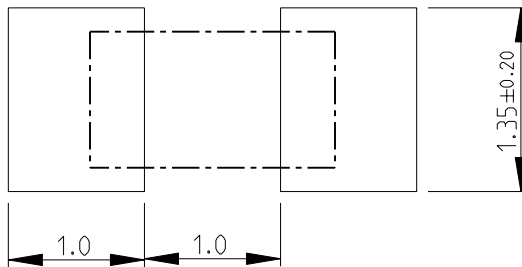


LOC	DIST	REVISIONS					
E	B	P	LTR	DESCRIPTION	DATE	DWN	APVD
		BC		NEW RELEASE	22NOV2010	PT	St.P

FOR FURTHER INFORMATION SEE DATA SHEET FOR
RN73 SERIES-HIGH PRECISION RESISTORS (SMD)



RECOMMENDED LAND PATTERN



2010

RELEASED FOR PUBLICATION

THIS DRAWING IS UNPUBLISHED.

BY TYCO ELECTRONICS CORPORATION. ALL RIGHTS RESERVED.



DIMENSIONS:		DWN	22NOV2010	MATERIAL	FINISH		
mm		PARUSURAM.T		-	-		
TOLERANCES UNLESS OTHERWISE SPECIFIED:		CHK	22NOV2010	Tyco Electronics Corporation Dorcan, Swindon, SN3 5HH			
0 PLC ±0.2		ALLAN.P					
1 PLC ±0.1		APVD	22NOV2010	NAME HIGH PRECISION RESISTORS (SMD) SERIES RN73 2A			
2 PLC ±		STEPHEN.P					
3 PLC ±		PRODUCT SPEC	-	SIZE	CAGE CODE	DRAWING NO	RESTRICTED TO
4 PLC ±		APPLICATION SPEC	-	A 4	00779	©-1676429	-
ANGLES ±5°		WEIGHT	-	SCALE 20:1			SHEET 1 OF 1
		CUSTOMER DRAWING		REV BC			