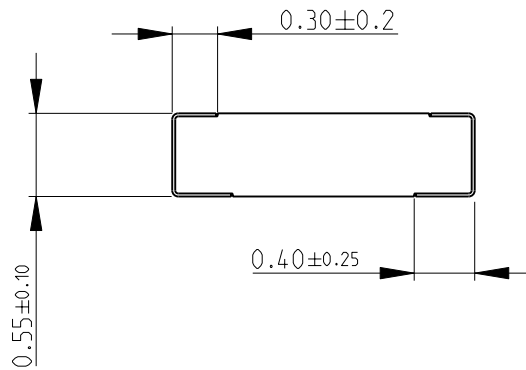
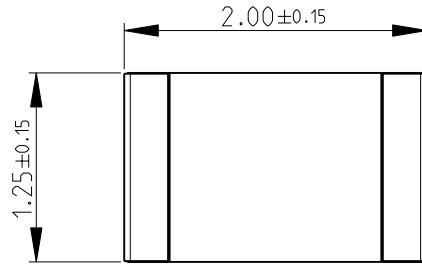
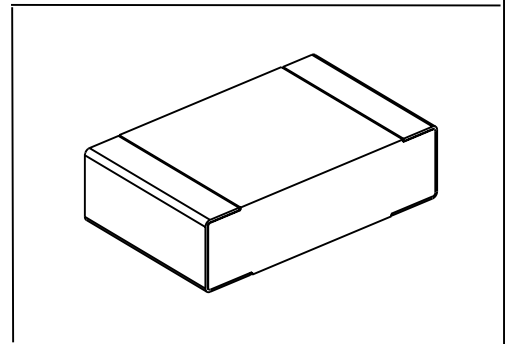
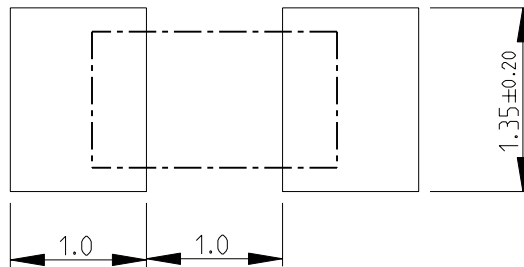


LOC	DIST	REVISIONS					
E	B	P	LTR	DESCRIPTION	DATE	DWN	APVD
		BC		NEW RELEASE	22NOV2010	PT	St.P

FOR FURTHER INFORMATION SEE DATA SHEET FOR
RN73 SERIES-HIGH PRECISION RESISTORS (SMD)



RECOMMENDED LAND PATTERN



2010

RELEASED FOR PUBLICATION

THIS DRAWING IS UNPUBLISHED.

BY TYCO ELECTRONICS CORPORATION. ALL RIGHTS RESERVED.



DIMENSIONS: mm	DWN	PARUSURAM.T	22NOV2010	MATERIAL	-	FINISH	-	
	CHK	ALLAN.P	22NOV2010	Tyco Electronics Corporation Dorcan, Swindon, SN3 5HH				
TOLERANCES UNLESS OTHERWISE SPECIFIED:	APVD	STEPHEN.P	22NOV2010					NAME
	0 PLC	±0.2	PRODUCT SPEC	-	SIZE	CAGE CODE	DRAWING NO	RESTRICTED TO
1 PLC	±0.1	APPLICATION SPEC	-	A 4	00779	©=1676426	-	
2 PLC	±	WEIGHT	-	CUSTOMER DRAWING				SCALE
3 PLC	±					20:1	SHEET	OF
4 PLC	±					1	1	REV
ANGLES	±5°							BC