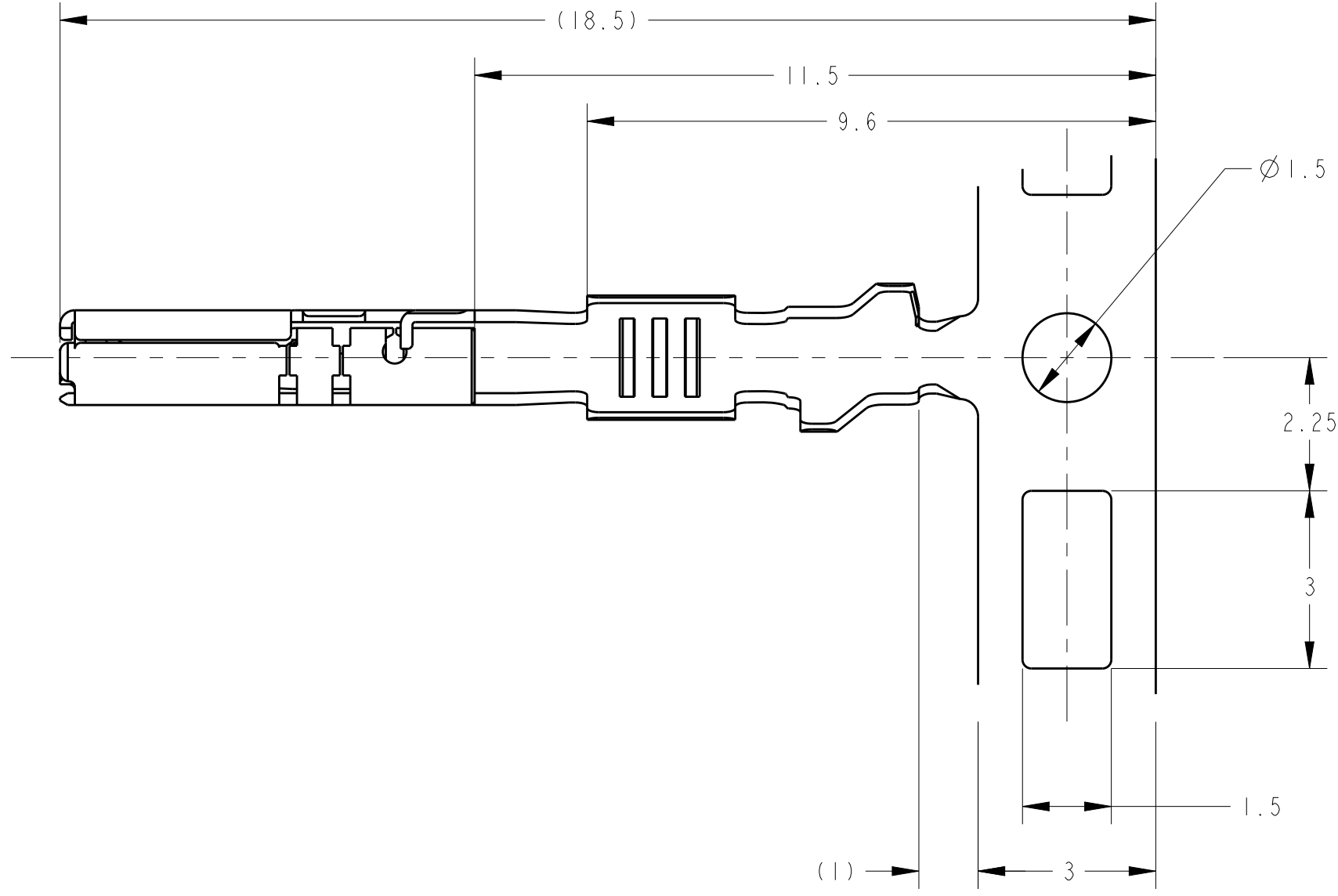
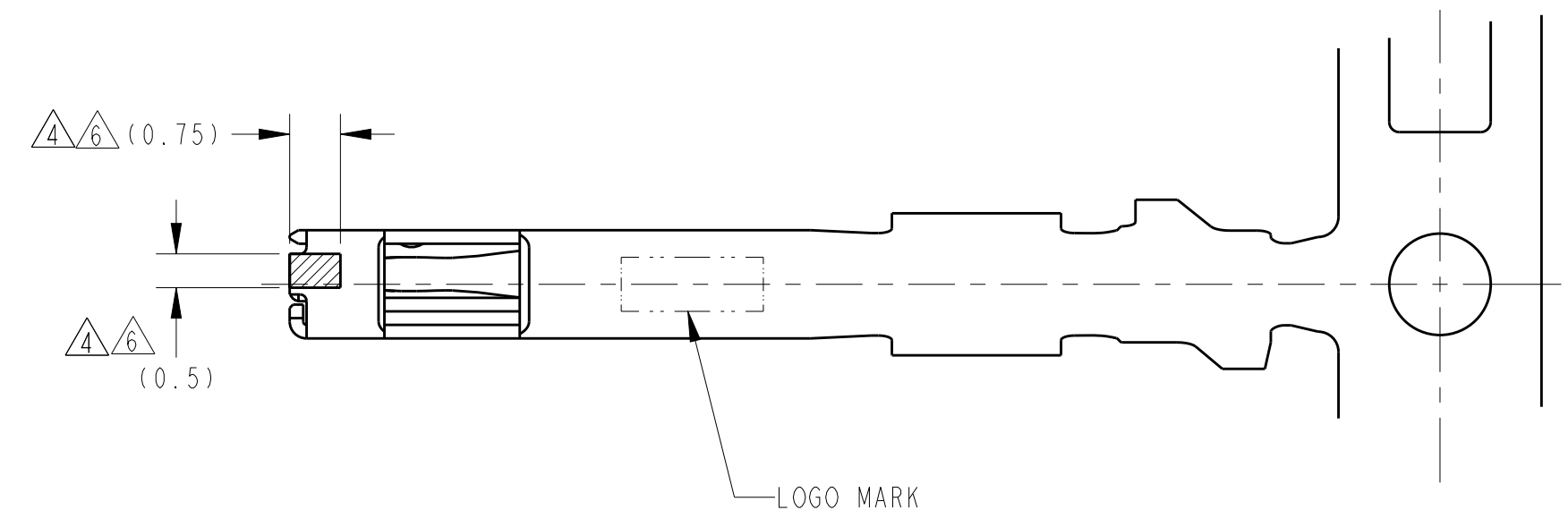
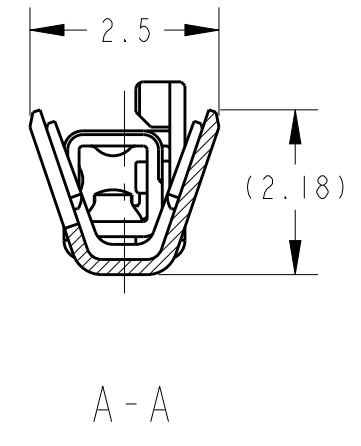
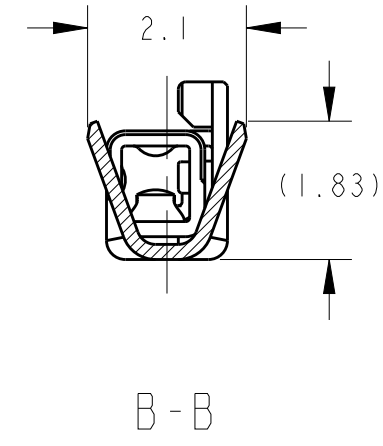
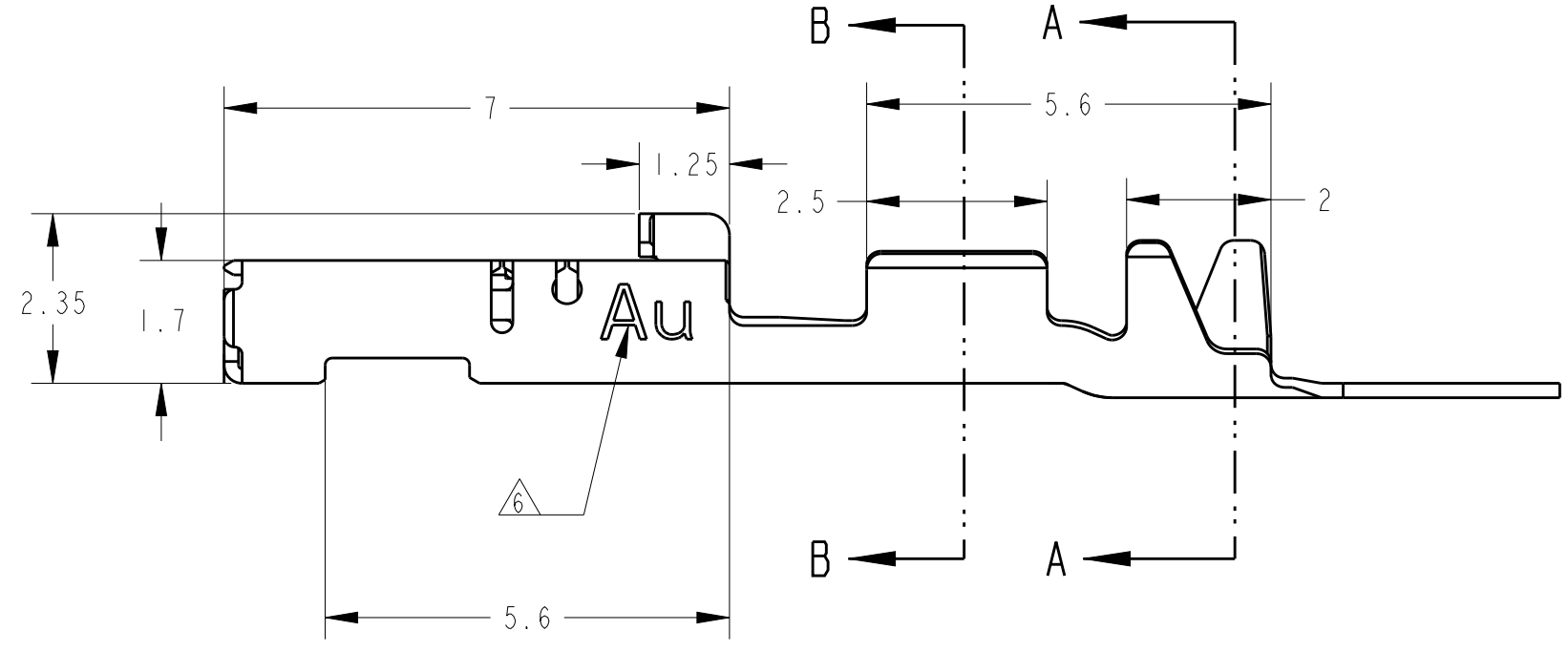
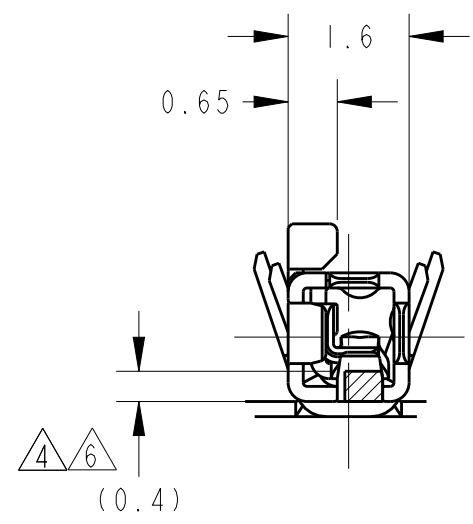


THIS DRAWING IS UNPUBLISHED. RELEASED FOR PUBLICATION OCT.2016
 © COPYRIGHT 2016 Tyco Electronics Japan G.K. ALL RIGHTS RESERVED.

LOC	DIST	REVISIONS					
J		P	LTR	DESCRIPTION	DATE	DWN	APVD
		A		RELEASED	05OCT16	RU	HY



- 適用電線:
 AVSS 0.3~0.5mm²
 CAVUS 0.3mm²
 CAVS 0.3~0.5mm²
 CHFUS 0.35~0.5mm²
 AVSS,AVSSH 0.3f~0.5fmm²
 HFSS 0.35f~0.5fmm²
 - 圧着条件については、以下の規格を参照すること
 取付適用規格; 114-5329-13
 - アプリケーション送付ピッチ; 8mm
 △ 寸法は識別用金めっき範囲を表す
 △ 接触部: 金めっき, バレル部: すずめっき
 △ 1674311-8のみに適用。
- APPLICABLE WIRE RANGE ;
 AVSS 0.3~0.5mm²
 CAVUS 0.3mm²
 CAVS 0.3~0.5mm²
 CHFUS 0.35~0.5mm²
 AVSS,AVSSH 0.3f~0.5fmm²
 HFSS 0.35f~0.5fmm²
 - MUST BE REFERRED TO THE FOLLOWING DOCUMENTS FOR CRIMPING CONDITION
 APPLICATION SPEC ; 114-5329-13
 - APPLICATOR FEED; 8mm
 △ GOLD PLATED AREA FOR IDENTIFICATION
 △ CONTACT POINT; GOLD PLATING BARREL; TIN PLATING
 △ APPLY ONLY TO 1674311-8.



△5 SELECTIVE GOLD, TIN	1674311-8
PRE-TIN	1674311-7
FINISH	PART NO.

THIS DRAWING IS A CONTROLLED DOCUMENT.

DWN R. UCHLYAMA 05OCT16	TE Connectivity 0.64111 SERIES CONNECTOR RECEPTACLE CONTACT						
CHK H. YAMAGAMI 05OCT16							
APVD H. YAMAGAMI 05OCT16							
PRODUCT SPEC H. YAMAGAMI							
MATERIAL 材料 Cu Alloy	FINISH 仕上 SEE TABLE	APPLICATION SPEC 取付適用規格 114-5329-13	WEIGHT 0.16 g	SIZE A2	CAGE CODE 00779	DRAWING NO. 1674311-7	RESTRICTED TO -
CUSTOMER DRAWING				SCALE 10.1	SHEET 1	OF 1	REV A