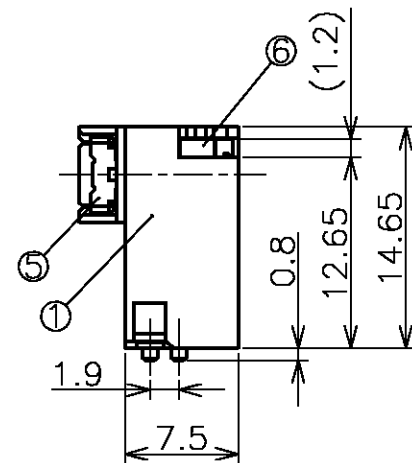
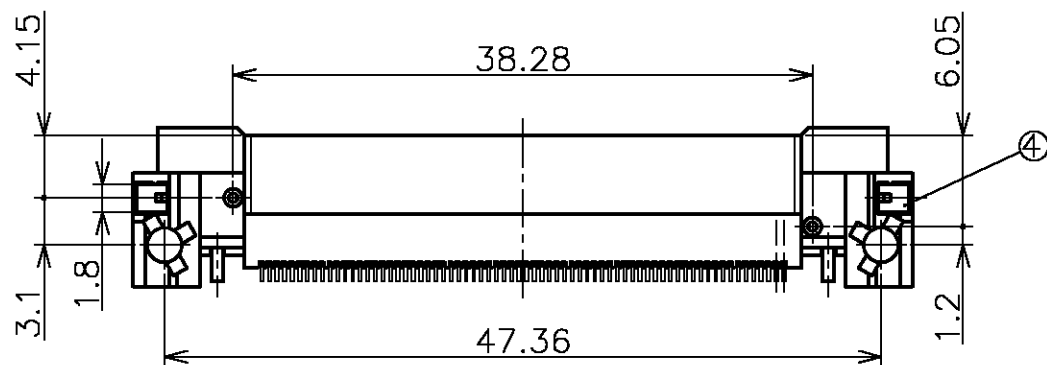
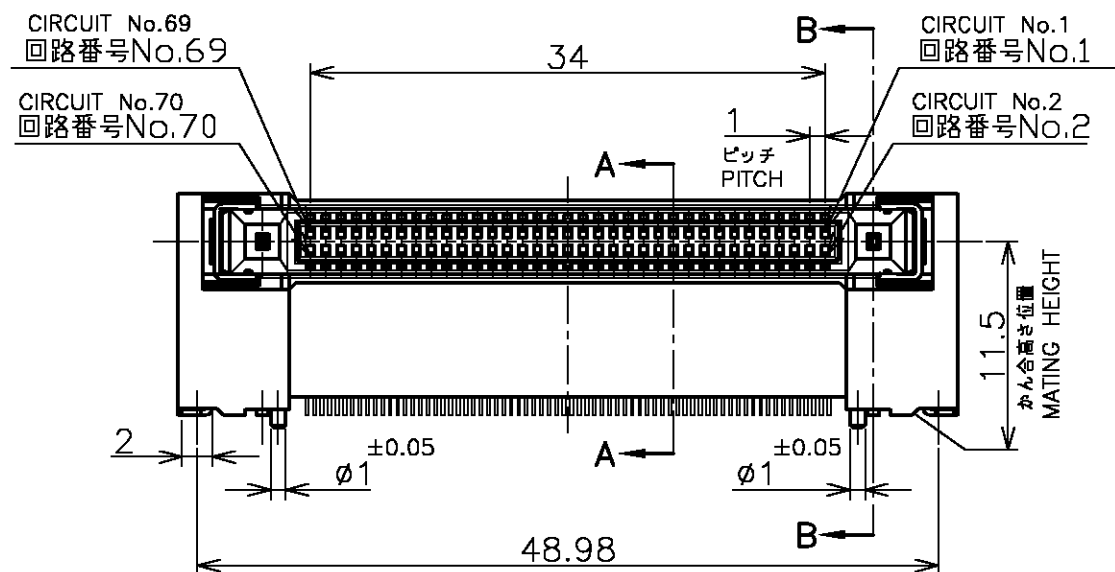
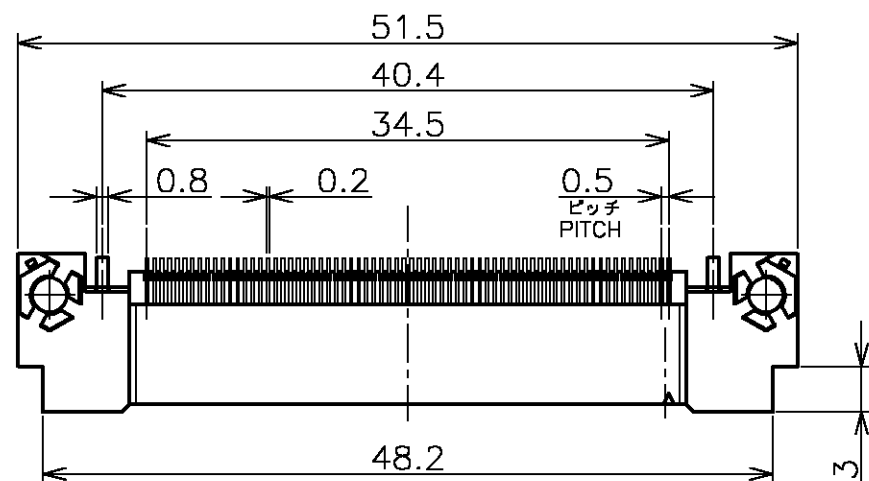


LOC	DIST	REVISIONS					
		P	LTR	DESCRIPTION	DATE	DWN	APVD
J			O	RELEASED FJ00-2349-02	12NOV02	T.F	H.M

AS SHOWN : 1674214-1



△ 一般公差

10以下: ±0.2
 10を越え30以下: ±0.25
 30を越え100以下: ±0.3
 角度: ±3°

△

基板へ実装する時には、ソルダーペグを必ずはんだ付けして、ネジ止めにより固定すること。
 推奨ネジ締めトルク: 0.15~0.2Nm(1.5~2Kgf·cm)
 推奨ネジ: M2X16 (JIS B 1111)
 (基板厚: t=1.2mm使用時)

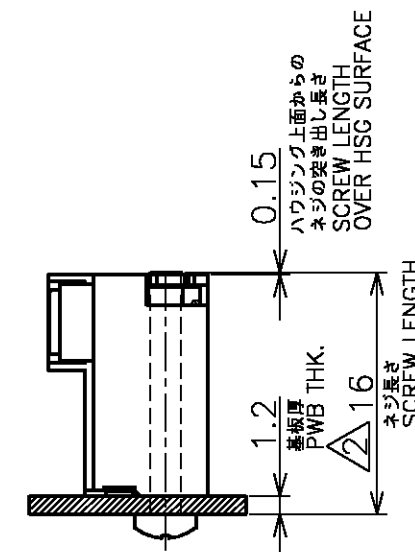
△

GENERAL TOLERANCE

≤10: ±0.2
 10< ≤30: ±0.25
 30< ≤100: ±0.3
 ANGLE: ±3°

△

WHEN CONN. MOUNTED NO PWB SOLDER PEG ARE SOLDERED AND RECOMMENDED TIGHTENING TORQUE:0.15~0.2Nm(1.5~2Kgf·cm) FIXED WITH SCREWS. RECOMMENDED SCREW: M2X16(JIS B1111) (PWB THK. t=1.2mm)



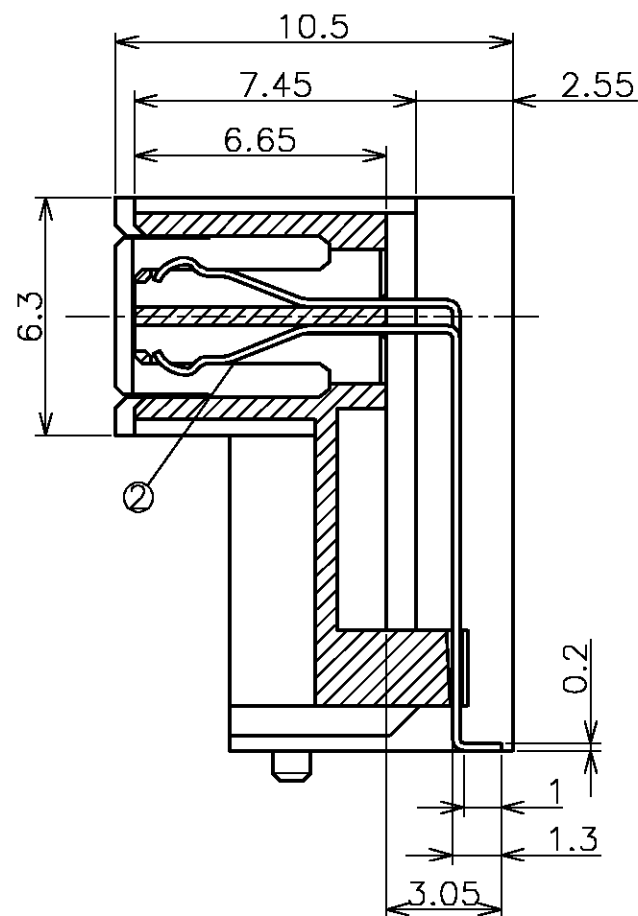
ニッケルメッキ Ni PLATE	銅合金 COPPER ALLOY	2	M2六角ナット NUT	⑥
ニッケルメッキ Ni PLATE	銅合金 COPPER ALLOY	2	サイドシェル SIDE SHELL	⑤
全面はんだめっき TIN-LEAD PLATE	銅合金 COPPER ALLOY	2	ソルダーペグ SOLDER PEG	④
接触部:金めっき はんだ付け部:はんだめっき CONTACT AREA:Au PLATE SOLDER TINE:TIN-LEAD PLATE	銅合金 COPPER ALLOY	2	パワーコンタクト POWER CONTACT	③
接触部:金めっき はんだ付け部:はんだめっき CONTACT AREA:Au PLATE SOLDER TINE:TIN-LEAD PLATE	銅合金 COPPER ALLOY	70	リセコンタクト REC CONTACT	②
	高耐熱性熱可塑性樹脂 UL94V-0 ガラス入り (色:黒) HIGH HEAT RESISTANCE THERMOPLASTIC UL94V-0 (COLOR:BLACK)	1	リセハウジング REC HSG	①
FINISH	MATERIAL	QTY	NAME	ITEM NO.

PARTS LIST

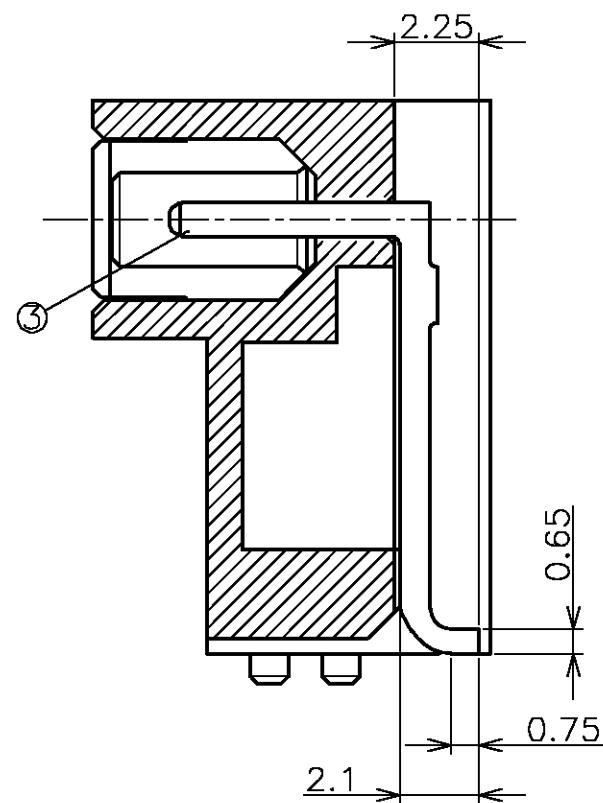
THIS DRAWING IS A CONTROLLED DOCUMENT.		DWN T.FUTATSUGI 12NOV02	Tyco Electronics AMP K.K. Kawasaki, Japan	
DIMENSIONS: MM		CHK T.KUSUHARA 12NOV02	NAME	
TOLERANCES UNLESS OTHERWISE SPECIFIED:		APVD H.MURAMATSU 12NOV02	RECEPTACLE ASSEMBLY 1mm PITCH BAY CONNECTOR	
0 PLC ± - 1 PLC ± - 2 PLC ± - 3 PLC ± - 4 PLC ± - ANGLES ± -		PRODUCT SPEC 108-5858	SIZE	CAGE CODE
MATERIAL SEE TABLE		APPLICATION SPEC	DRAWING NO	RESTRICTED TO
FINISH SEE TABLE		WEIGHT 4.7g	A3 00779	C-1674214
		CUSTOMER DRAWING	SCALE 2:1	SHEET 1 OF 3 REV 0

LOC	DIST	REVISIONS					
		P	LTR	DESCRIPTION	DATE	DWN	APVD
J				SEE SHEET 1			

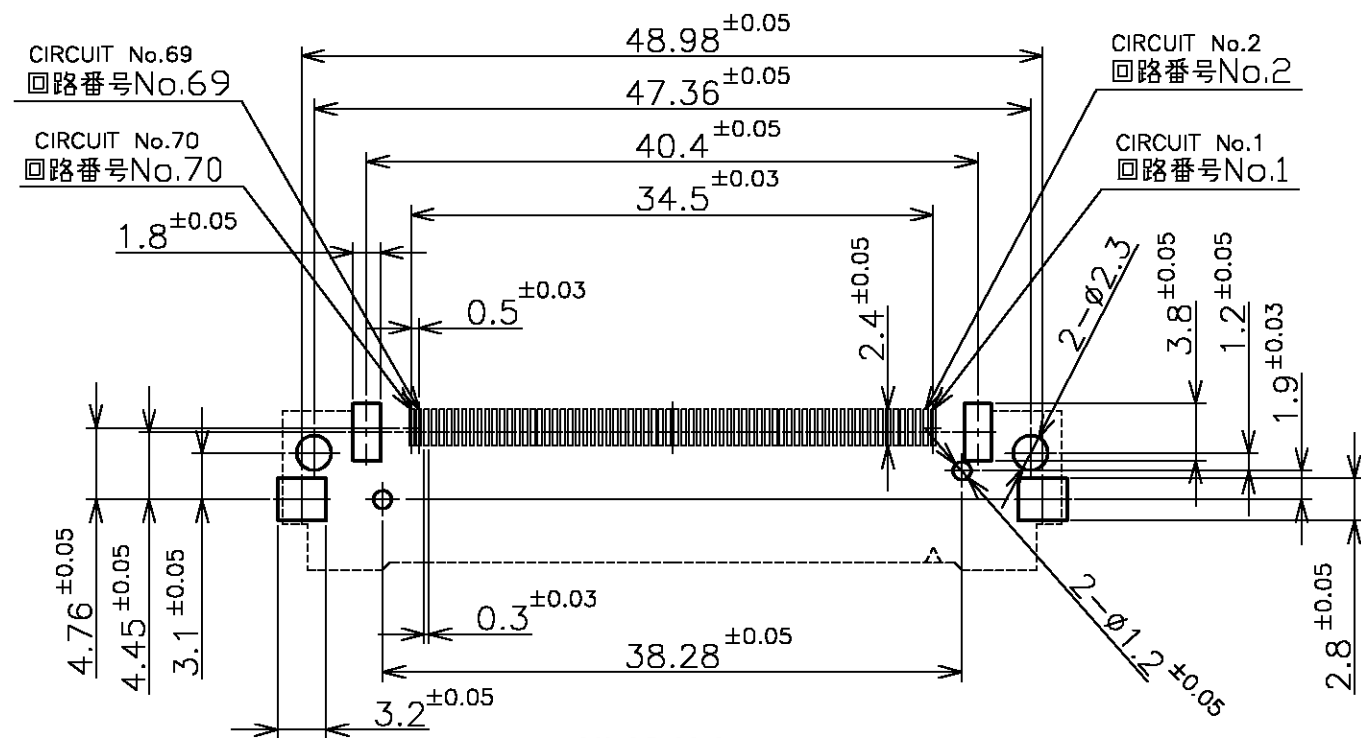
AS SHOWN : 1674214-1



断面A-A SECT



断面B-B SECT



推奨基板レイアウト (コネクタ搭載面) RECOMMENDED PWB LAYOUT (CONN. MOUNTING SIDE) (SCALE 2:1)

THIS DRAWING IS A CONTROLLED DOCUMENT.		DWN	tyco Tyco Electronics AMP K.K.	
DIMENSIONS: MM		CHK	Kawasaki, Japan	
TOLERANCES UNLESS OTHERWISE SPECIFIED:		APVD	NAME	
0 PLC ±		PRODUCT SPEC	RECEPTACLE ASSEMBLY	
1 PLC ±		APPLICATION SPEC	1mm PITCH BAY CONNECTOR	
2 PLC ±		WEIGHT	SIZE	CAGE CODE
3 PLC ±		CUSTOMER DRAWING	A3	00779
4 PLC ±			DRAWING NO	C-1674214
ANGLES ±		SCALE	SHEET	OF
FINISH		5:1	2	3
MATERIAL		REV	0	

4

3

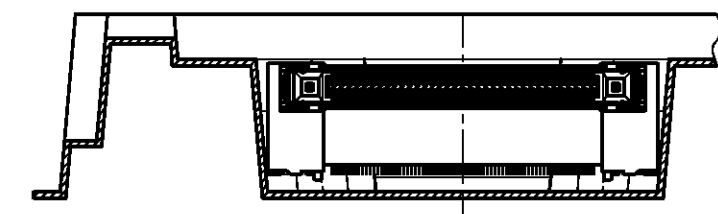
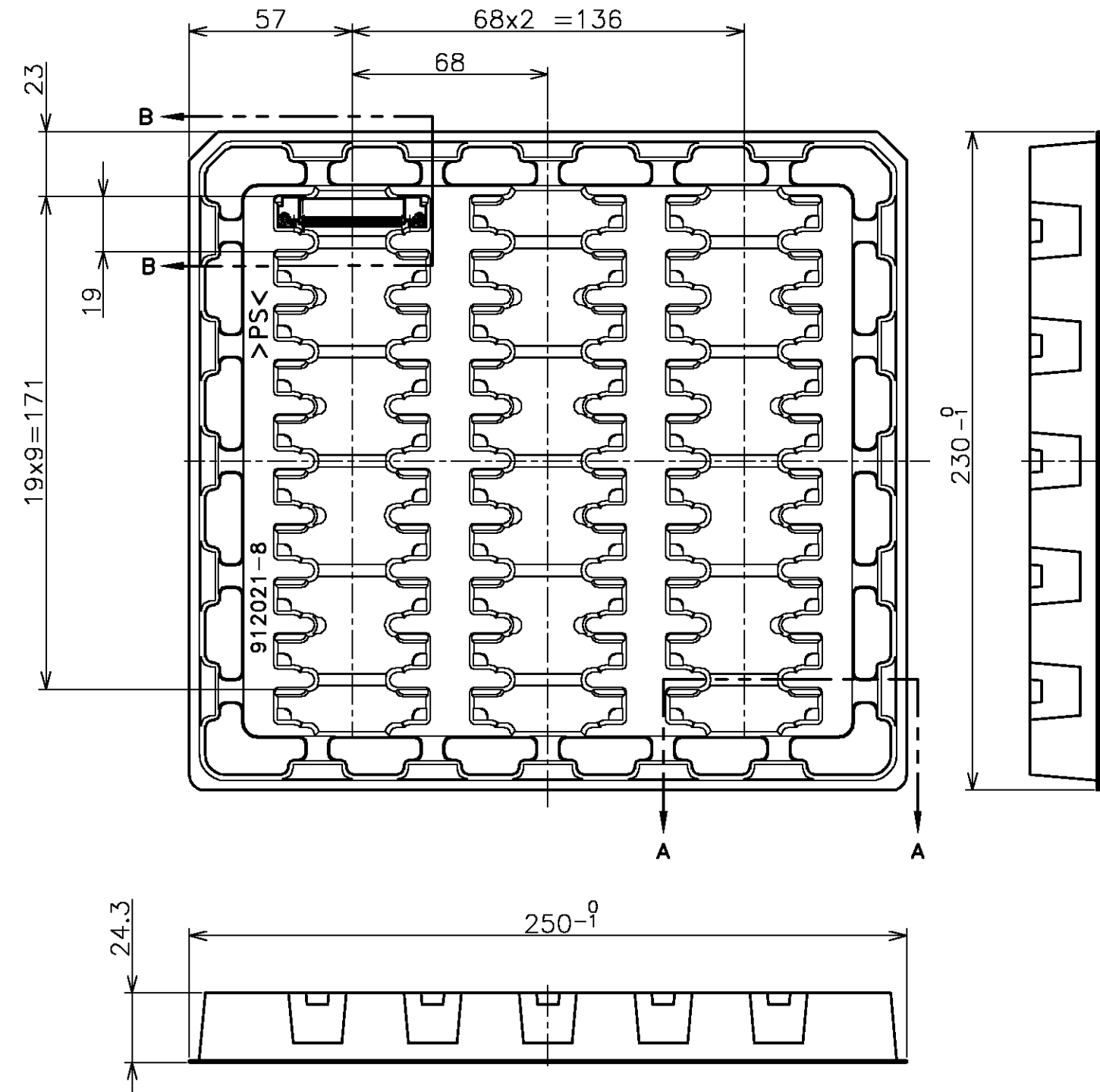
2

1

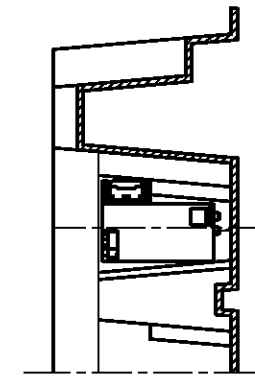
THIS DRAWING IS UNPUBLISHED. RELEASED FOR PUBLICATION - .2002.
 © COPYRIGHT 2002 BY TYCO ELECTRONICS CORPORATION. ALL RIGHTS RESERVED.

LOC	DIST	REVISIONS			
P	LTR	DESCRIPTION	DATE	DWN	APVD
J		SEE SHEET 1			

AS SHOWN : 1674214-1



A-A
 SCALE 1:1
 (180DEG. ROTATE)



B-B
 SCALE 1:1

- 1 THE DIRECTION OF EACH CONNECTOR ON A TRAY IS REFERRED TO THIS DRAWING.
- 2 GENERAL TOLERANCE: ±0.5

- 1 コネクタ搭載方向は図示の通りであること。
- 2 一般公差：±0.5

30EA/TRAY	1674214-1
QTY	CONNECTOR P/N

THIS DRAWING IS A CONTROLLED DOCUMENT.		DWN	Tyco Electronics AMP K.K. Kawasaki, Japan			
DIMENSIONS: MM 		CHK				
TOLERANCES UNLESS OTHERWISE SPECIFIED: 0 PLC ± - 1 PLC ± - 2 PLC ± - 3 PLC ± - 4 PLC ± - ANGLES ± -		APVD	NAME			
MATERIAL		PRODUCT SPEC	RECEPTACLE ASSEMBLY 1mm PITCH BAY CONNECTOR			
FINISH		APPLICATION SPEC	SIZE	CAGE CODE	DRAWING NO	RESTRICTED TO
		WEIGHT	A3	00779	C-1674214	-
CUSTOMER DRAWING			SCALE	SHEET	OF	REV
			1:2	3	3	0