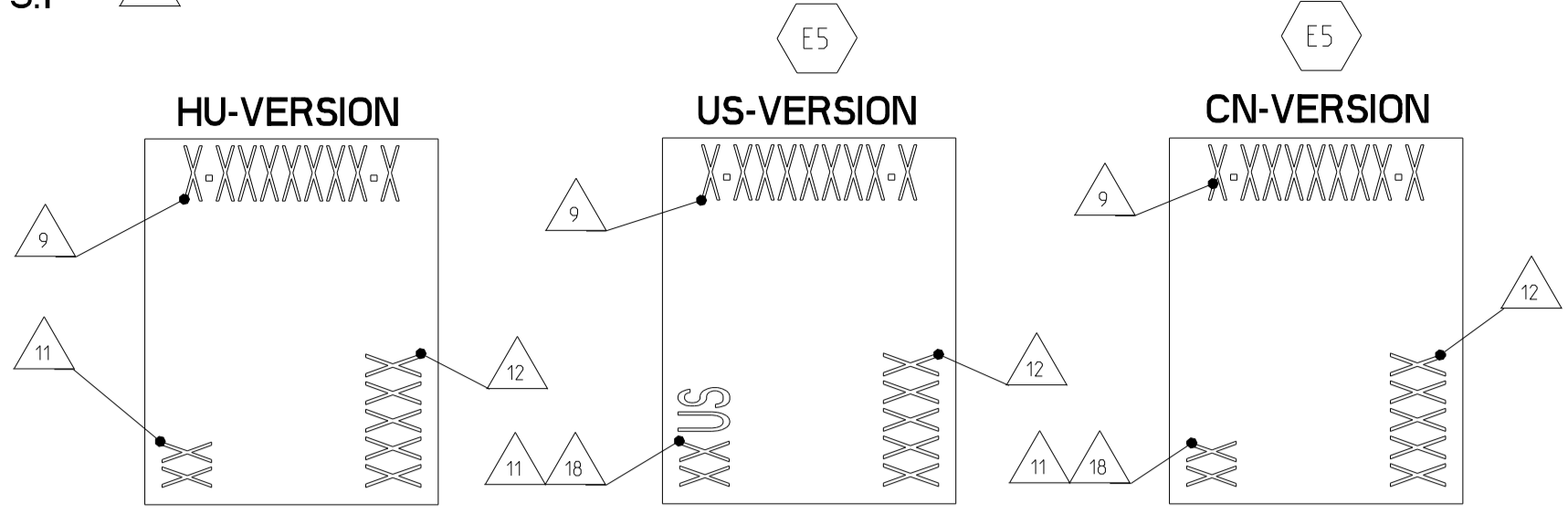
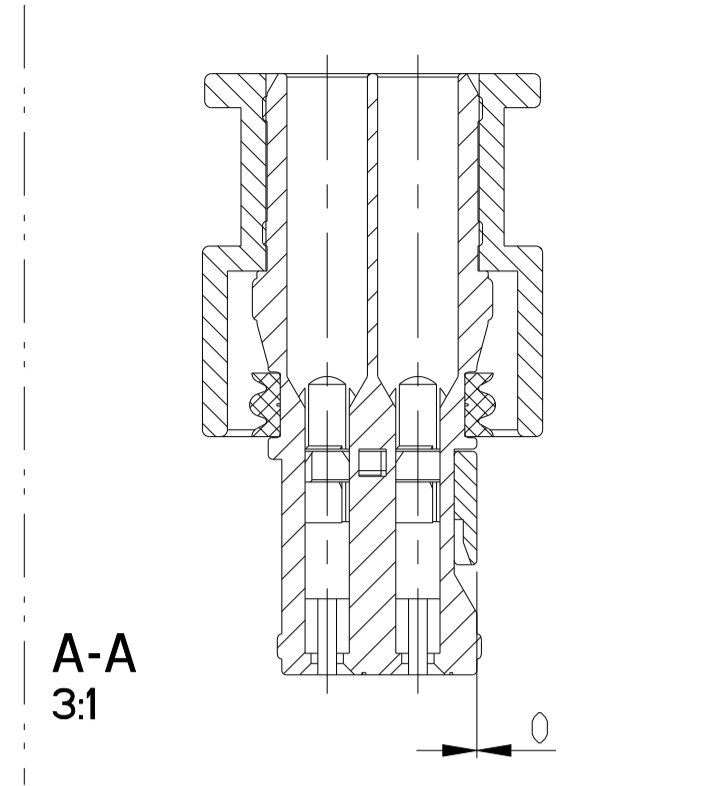


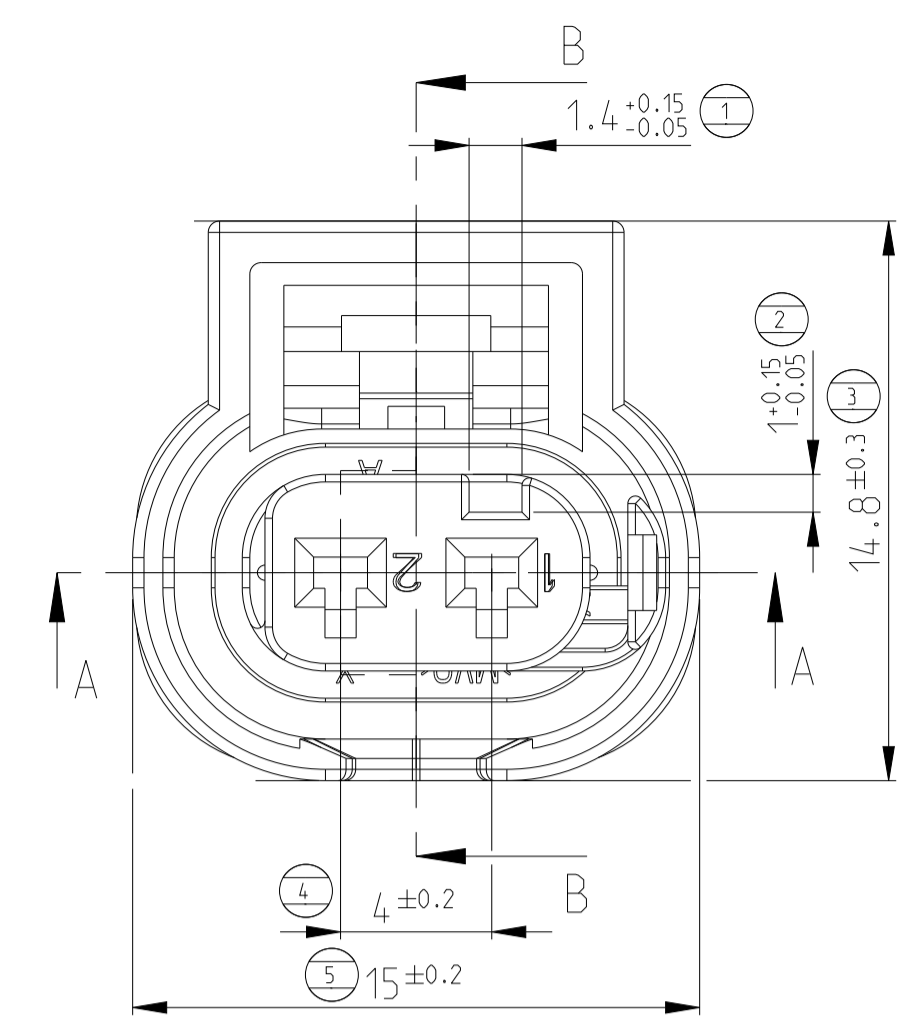
PRINT:  
5:1



RETAINER IN END POSITION

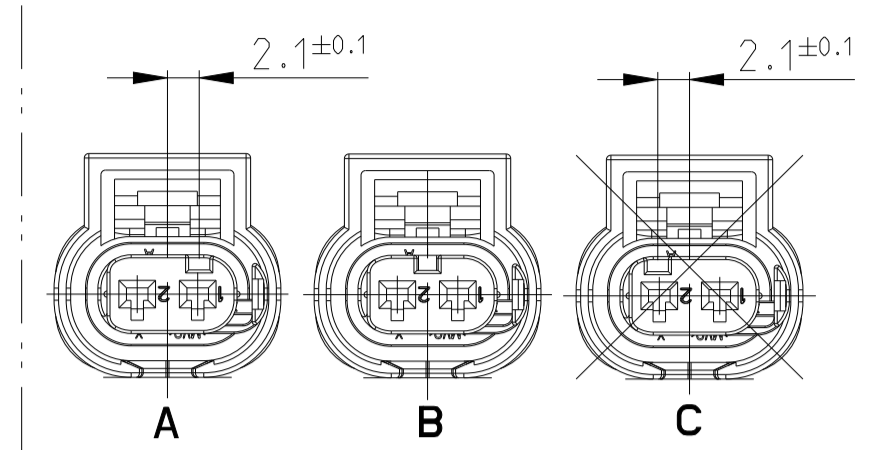


A-A  
3:1

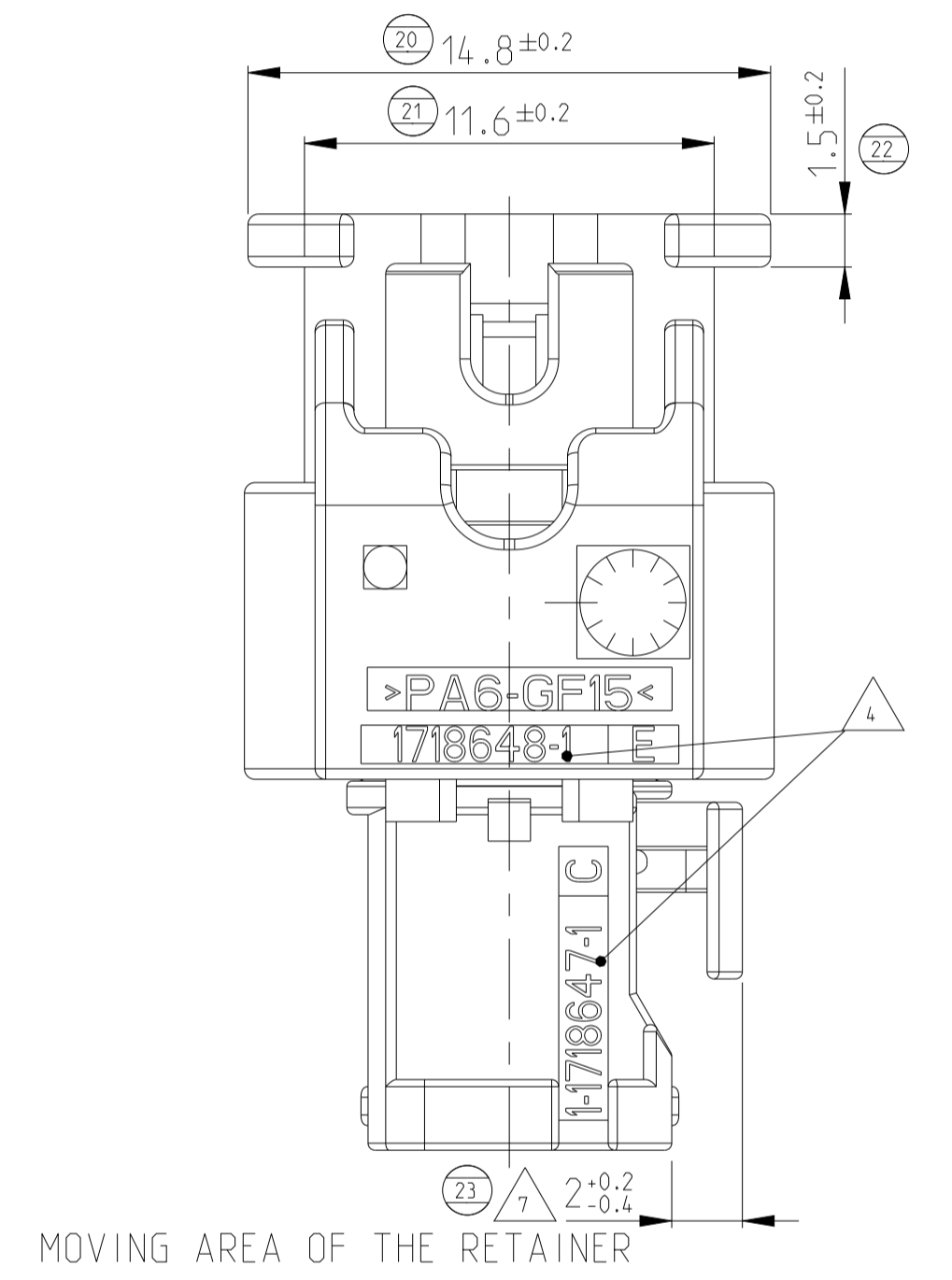
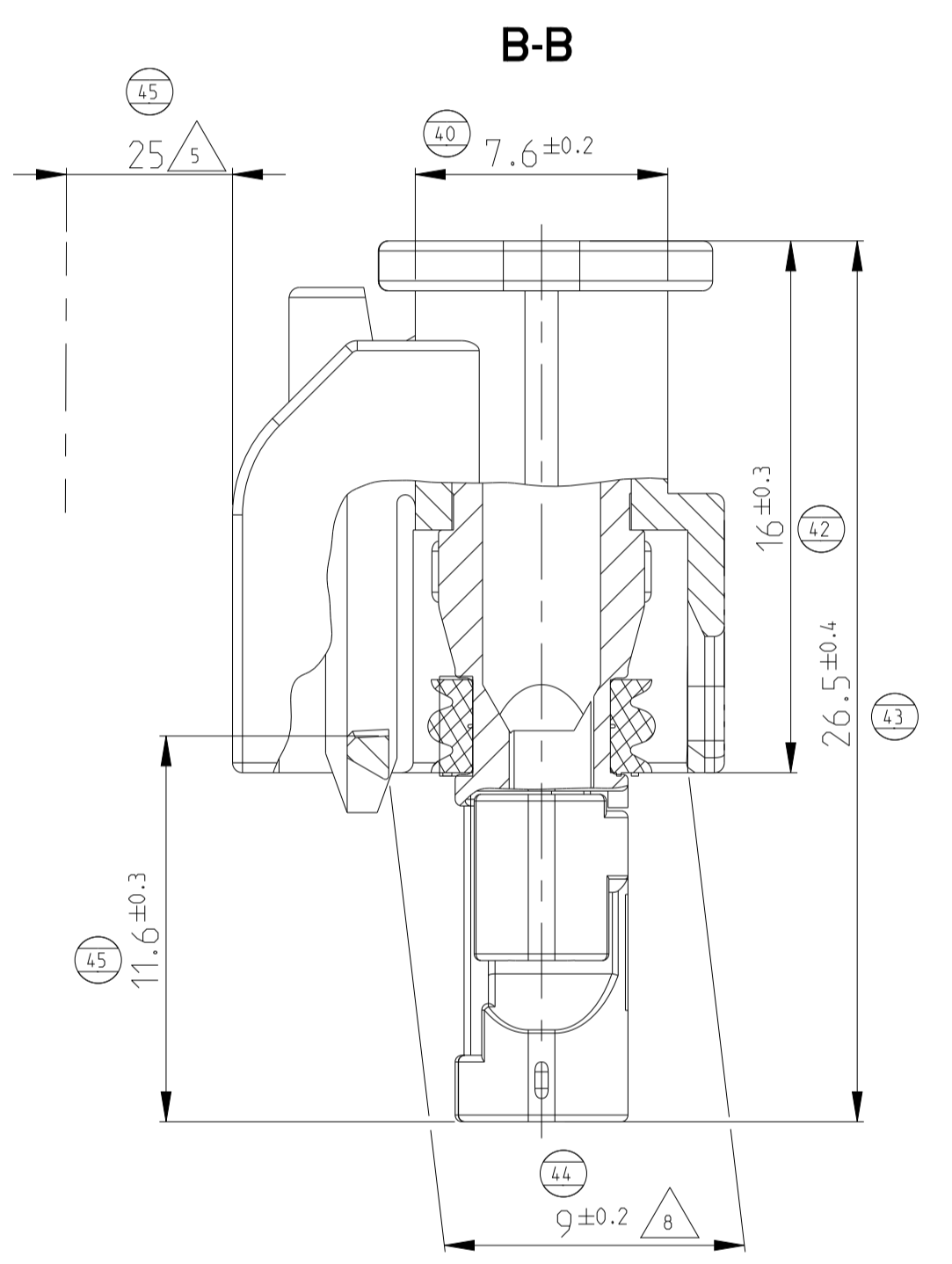
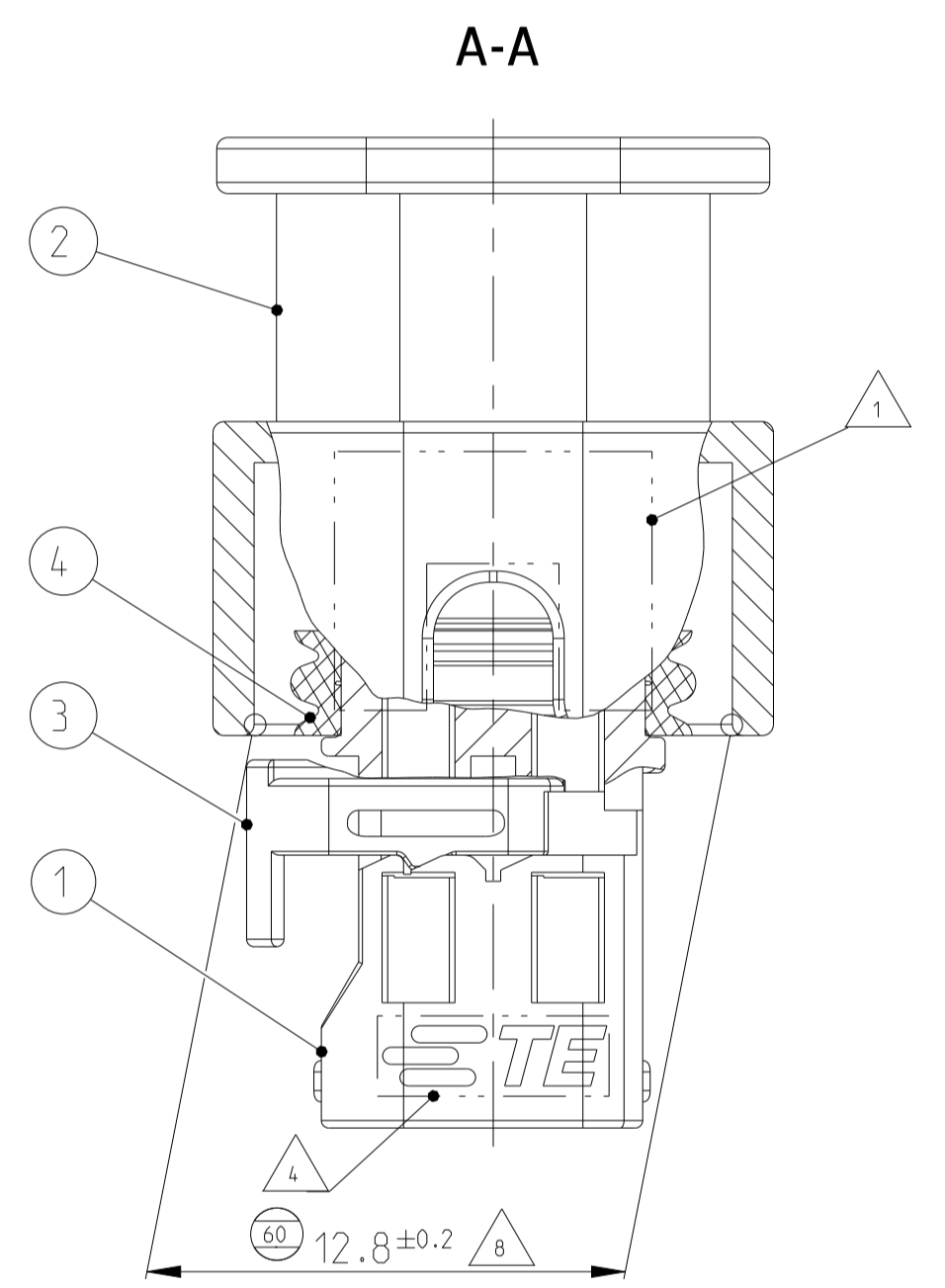


REVISIONS				
P	LTA	DESCRIPTION	DATE	APVD
E4		DIVERGENT MARKING ADDED	16AUG2018	LSZ SZN
E5		LASER PRINT UPDATED, DIMENSION CORRECTED	08JAN2020	SZN LSZ
E6		DIMENSION CORRECTED	18MAY2023	SZN LSZ
E7		GENERAL DRAWING UPDATE	27NOV2023	SZN LSZ

CODINGS  
M 2:1



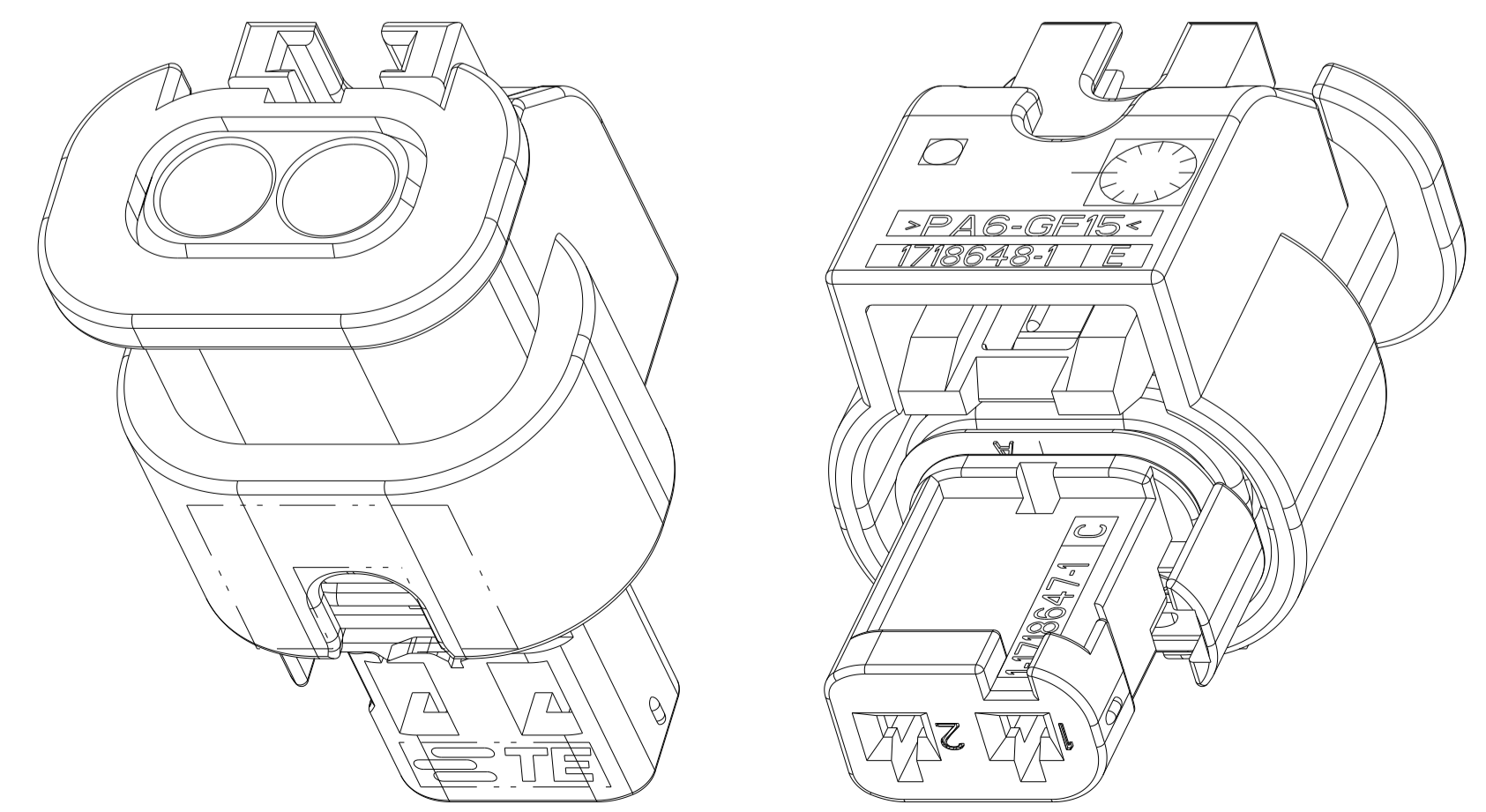
- 1 AREA FOR PRINT
- 2 USABLE CONTACTS MCON 1.2 LL  
SEE TE-NO. 1452674, SINGLE WIRE SYSTEM
- 3 MAX. WIRE SIZE RANGE 1.0 mm<sup>2</sup> FLR PERMITTED  
FOR CAVITY-Ø 3.55MM  
QUANTITY SEE WIRE HARNESS DRAWING  
FOR PERMISSIBLE CURRENT CARRYING CAPACITY  
OF THE SINGLE CONTACT  
SEE PRODUCT SPECIFICATION NO.108-18782
- 4 SUPPLIER-MARK
- 5 SPACE OF ACTIVITY
- 6 -
- 7 SUPPLY CONDITION: RETAINER IN PRELOCKED POSITION
- 8 WARPAGE PERMITTED TO MAX. -0.5mm
- 9 TE ORDER-NO.
- 10 ACCORDING TO INTERFACE DRAWING  
SEE TE-NO. 114-18679-3
- 11 ASSEMBLY LINE SEGMENT IDENTIFICATION
- 12 DATE CODE (DDYY)
- 13 CIRCULAR DATE INSERT ONLY FOR VERSION 1  
DATE FORMAT FOR VERSION 2 (YY/MM)
- 14 REVISION, CORRESPONDING TO ACTUAL REVISION
- 15 MATERIAL IDENTIFICATION
- 16 MOULD CAVITY IDENTIFICATION
- 17 DATE INSERT FOR RECEPTACLE HOUSING
- 18 DIVERGENT MARKING FOR PARTS FROM U.S. AND  
CHINA PRODUCTION



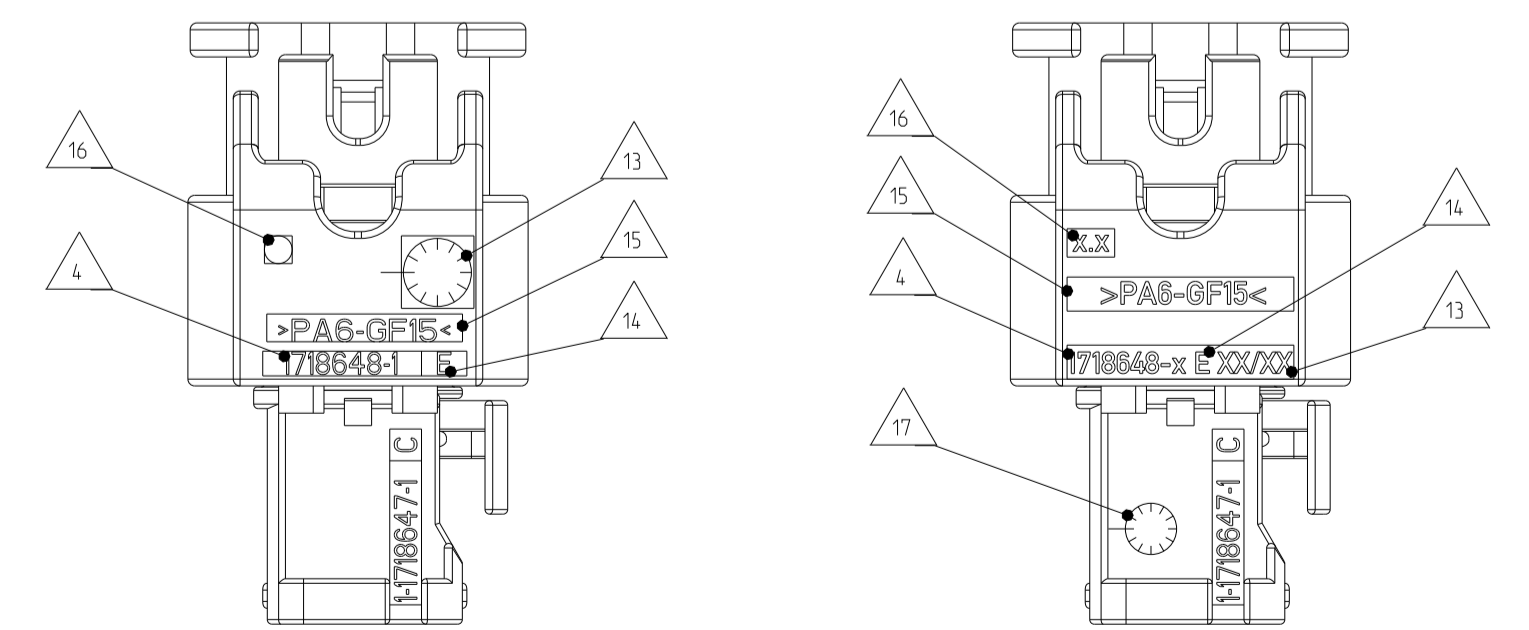
MOVING AREA OF THE RETAINER

TE-ORDER-NO.	COD	DESCRIPTION	REV	QTY	DESCRIPTION	MATERIAL	SURFACE/COLOUR	ITEM
3-1670916-1	C	2pos. MCON 1.2 - LL Connector Sealed	A	1	2pos. MCON 1.2 - Seal	MVQ	NATURE	4
				1	2pos. MCON 1.2 - Retainer	PA66-GF15	VIOLETT	3
				1	2pos. MCON 1.2 - Protec. Cover	PA6-GF15	BLACK	2
				1	2pos. MCON 1.2 - Receptacle Hsg.	PA66-GF30	BLUE	1
2-1670916-1	B	2pos. MCON 1.2 - LL Connector Sealed	E	1	2pos. MCON 1.2 - Seal	MVQ	NATURE	4
				1	2pos. MCON 1.2 - Retainer	PA66-GF15	VIOLETT	3
				1	2pos. MCON 1.2 - Protec. Cover	PA6-GF15	BLACK	2
				1	2pos. MCON 1.2 - Receptacle Hsg.	PA66-GF30	NATURE	1
1-1670916-1	A	2pos. MCON 1.2 - LL Connector Sealed	E	1	2pos. MCON 1.2 - Seal	MVQ	NATURE	4
				1	2pos. MCON 1.2 - Retainer	PA66-GF15	VIOLETT	3
				1	2pos. MCON 1.2 - Protec. Cover	PA6-GF15	BLACK	2
				1	2pos. MCON 1.2 - Receptacle Hsg.	PA66-GF30	BLACK	1

3D VIEW



DIVERGENT MARKING IS ALLOWED FOR PARTS FROM DIFFERENT TOOLS



TOLERANCES UNLESS OTHERWISE SPECIFIED ACC. TO DIN 16901-140@CENTRIC TO NOMINAL DIMENSION, EDITION 1982-11 SHALL APPLY. Freigabtoleranzen nach DIN 16901-140@. Es gilt die Ausgabe 1982-11.		DWG R. Bachmann 19DEC2006	
THIS DRAWING IS A CONTROLLED DOCUMENT.		CHK A. Schroebel	
DIMENSIONS: mm		APVD J. Woller	
TOLERANCES UNLESS OTHERWISE SPECIFIED:		PRODUCT SPEC	
0 PLC	+0.5	108-18969	
1 PLC	+0.13	APPLICATION SPEC	
2 PLC	+0.013	114-18861	
3 PLC	+0.001	WEIGHT -	
4-PLC	+0.0001	CUSTOMER DRAWING	
ANGLES	±	SIZE CAGE CODE DRAWING NO	
MATERIAL TBD		114-18861	
FINISH -		SCALE 5:1	
FINISH -		SHEET 1 OF 1	
FINISH -		REV 7	