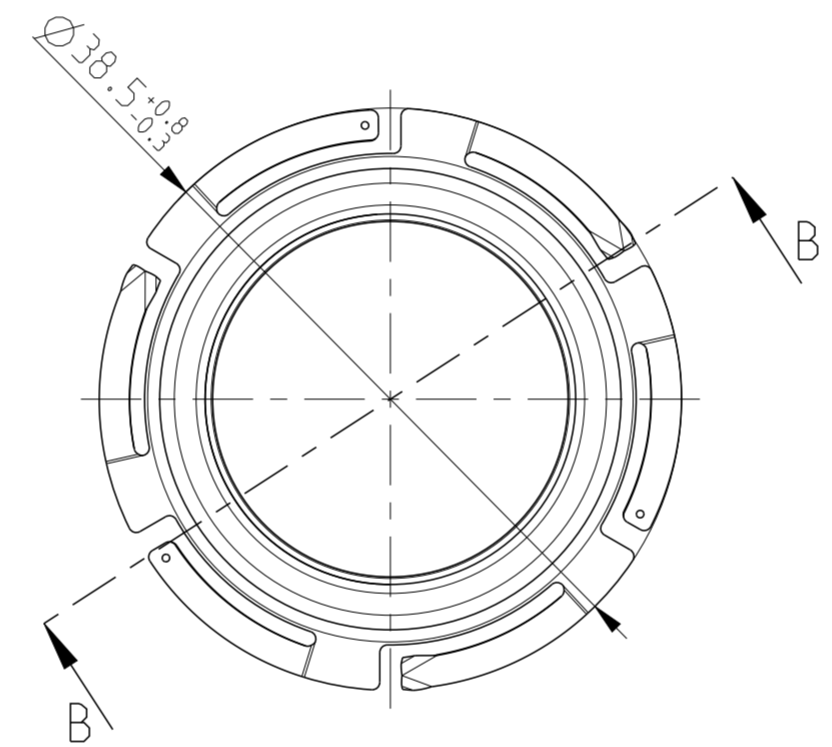
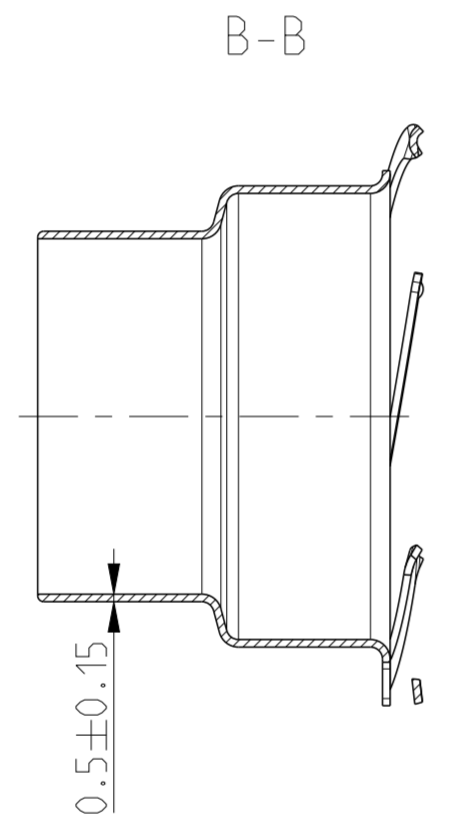
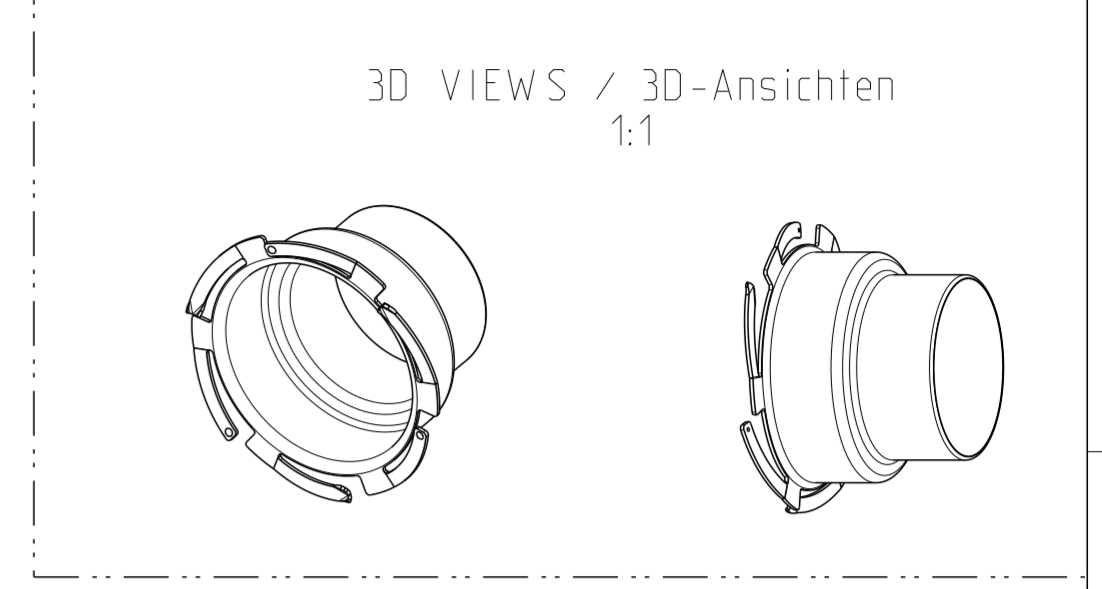
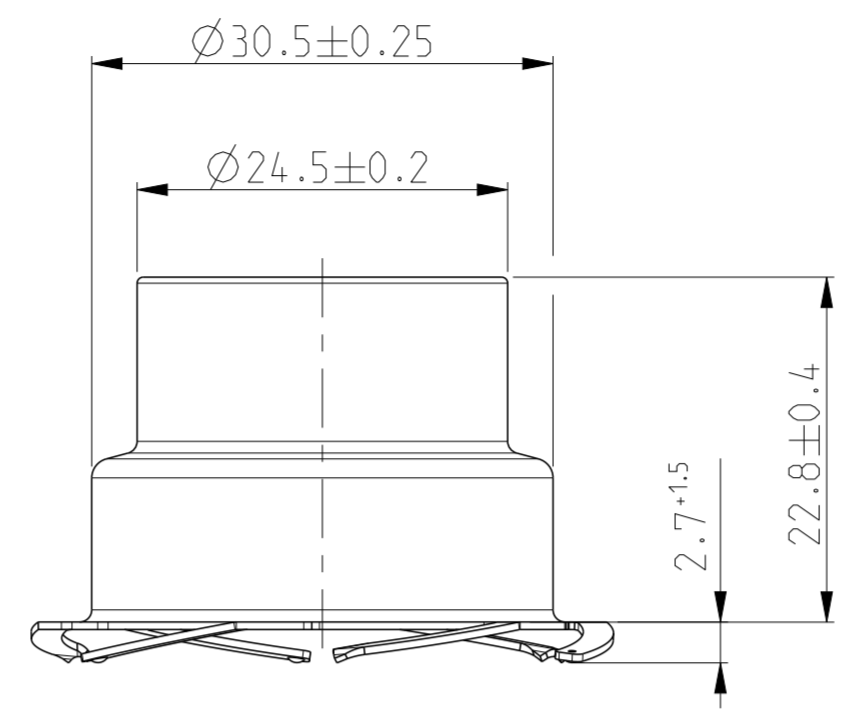


© 2021 TE Connectivity. All Rights Reserved.

REVISIONS				
P	LTR	DESCRIPTION	DATE	APVD
A1		DRAWING RELEASE / ZEICHUNGSFREIGABE	07APR2008	WMA MEC
A2		ADDED NEW -2 VARIANT FOR Ag VERSION	25AUG2022	JJH PR
A3		STREAMLINED DRAWING PARAMETERS AS PER STD FORMAT	02SEP2022	JJH PR



- 1 ONLY THE GERMAN LANGUAGE VERSION IS AUTHORITATIVE
Massgebend ist nur der deutsche Text
- 2 PACKAGING SPECIFICATION:
PIECES PACKED IN CARTON
Verpackungs-Spezifikation:
Teile verpackt in Karton

NOTE Bem.	FEATURE Merkmal	TE CONNECTIVITY - No.
3	USE ON 1POS. TERMINAL SCREWED, ASSY SEE OVERVIEW DRAWING - IPT 70 - 120mm ² Verwendet fuer 1pol. Terminal geschraubt, ASSY siehe Uebersichtszeichnung - IPT 70 - 120mm ²	1670904
4	PRODUCT-SPEC. Produkt-Spez.	108-94026
5	APPLICATION-SPEC. Verarbeitungs-Spez.	114-18769

-1 AS SHOWN
wie gezeichnet

TITLE Benennung	TE CONNECTIVITY ORDER-NO. Bestell-Nr.	REV	MATERIAL Werkstoff	SURFACE/COLOUR Oberflaeche/Farbe
EMC, CRIMP CONTACT, IPT 70 - 120mm ² EMC, Crimp Kontakt, IPT 70 - 120mm ²	1670814-2	A	STAINLESS STEEL Edelstahl	SILVER PLATED/ versilbert
EMC, CRIMP CONTACT, IPT 70 - 120mm ² EMC, Crimp Kontakt, IPT 70 - 120mm ²	1670814-1	A	STAINLESS STEEL Edelstahl	BLANK/blank

THIS DRAWING IS A CONTROLLED DOCUMENT. DIMENSIONING AND TOLERANCING PER GPS (ISO STANDARDS).

DIMENSIONS: mm	TOLERANCES UNLESS OTHERWISE SPECIFIED: PLC 1 PLC 2 PLC 3 PLC 4 PLC ANGLES FINISH	DWN A.FISCHER CHK M.ECKEL APVD J.WOLLER	07APR2008 07APR2008 07APR2008	NAME EMC, CRIMP CONTACT, IPT 70 - 120MM ² EMC, Crimp Kontakt, IPT 70 - 120mm ²
MATERIAL SEE TABLE Siehe Tabelle	FINISH SEE TABLE Siehe Tabelle	PRODUCT SPEC APPLICATION SPEC	4 5	SIZE A2
CUSTOMER DRAWING		WEIGHT 0.008 kg	CAGE CODE 00779	DRAWING NO. C-1670814
		SCALE 2:1	SHEET 1 OF 1	RESTRICTED TO REV A3

STE TE Connectivity