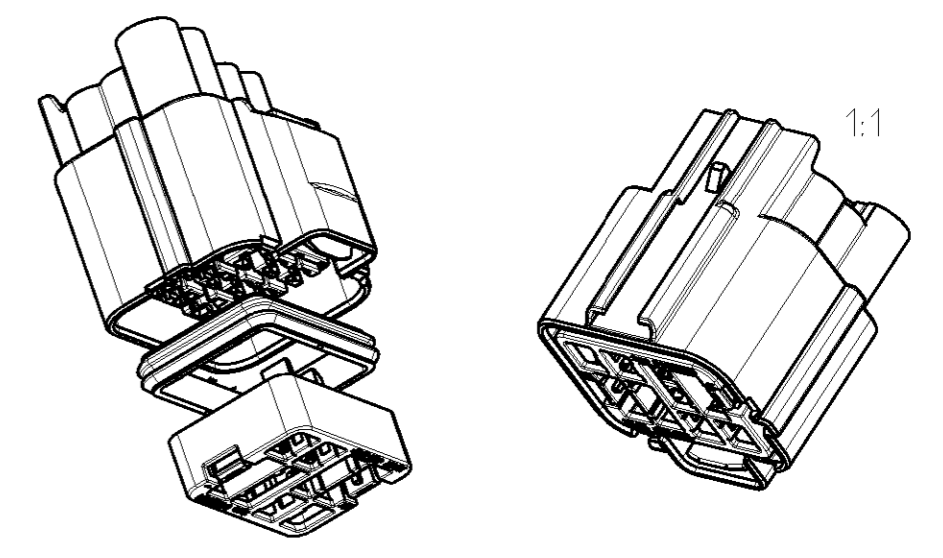
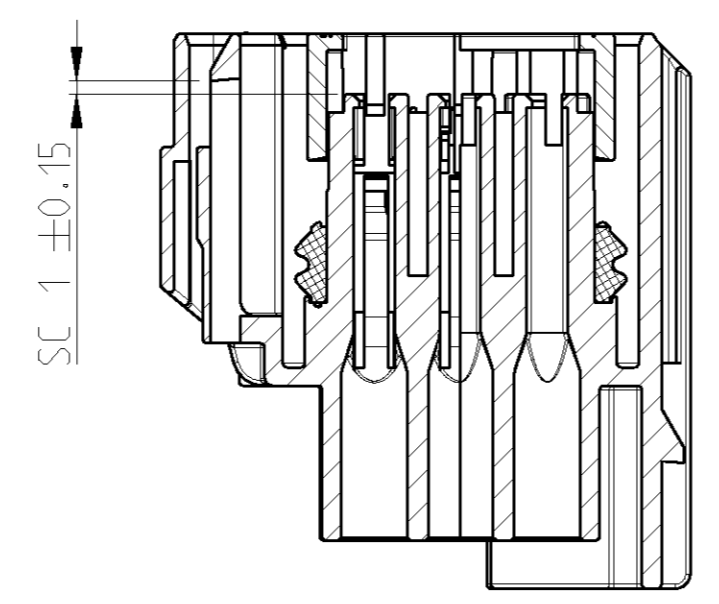
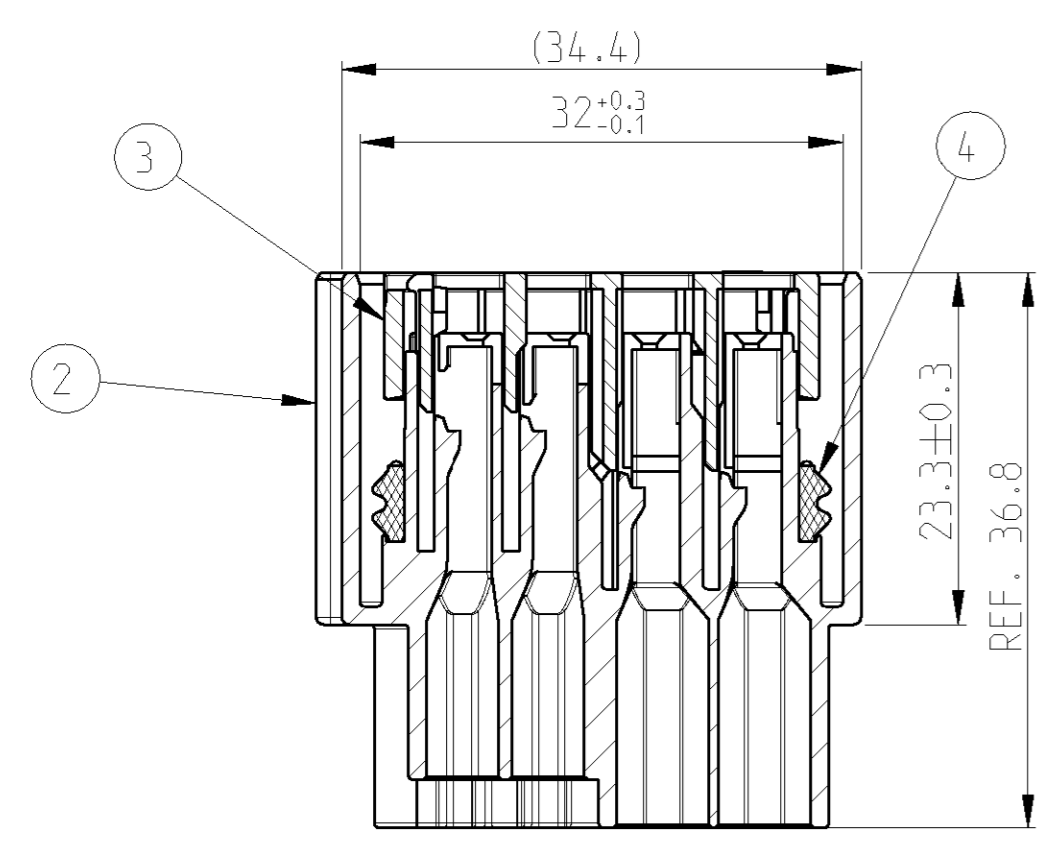


LOC	DIST	REVISIONS					
		P	LTR	DESCRIPTION	DATE	DWN	APVD
A1	-	A		NEW PART, NEW DRAWING	14-NOV-06	MK	GM
		A1		SEE PCN E-06-028670	07DEC2006	MK	KR
		A2		ECR-06-029219	14DEC2006	GP	GM
		B		ECR-07-004647	14MAR2007	GP	GM



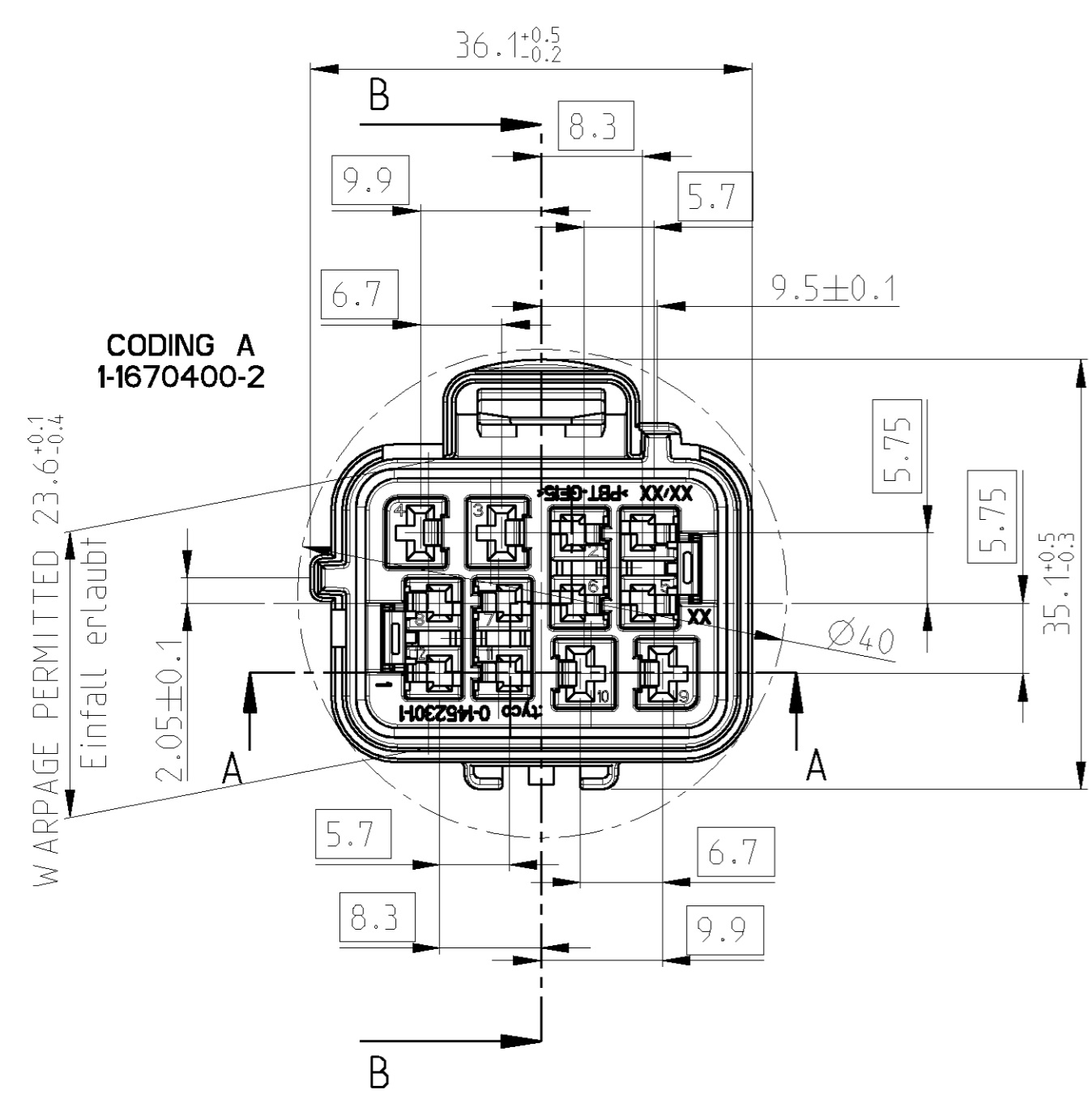
NOTES:
Bemerkungen:

- 1 MATED WITH TYCO PART NO 1-1452303-1 (FORD PN 6G9T - 14A624 - FBA)
0-1452303-1 (FORD PN 3M5T - 14A624 - UMB)
passend zu TYCO Teile Nr. 1-1452303-1 (FORD PN 6G9T - 14A624 - FBA)
0-1452303-1 (FORD PN 3M5T-14A626 - UMB)
- 2 DELIVERY CONDITION:
SPACER IN PRE LOCK POSITION
Auslieferungszustand:
Spacer in vorrattstellung
- 3 1.5MM FEMALE TERMINAL SEALED
SUITABLE TERMINALS: FORD CAT2 (SUPPLIER YASAKI)
2.8MM FEMALE TERMINAL SEALED
SUITABLE TERMINALS: FORD CAT3 (SUPPLIER YASAKI OR TYCO)
- SC SIGNIFICANT CHARACTERISTIC
Signifikantes Merkmal

CODING A												
1-1670400-2	X	X	X	X	X	X	X	X	X	X	X	
1-1670400-1					X	X						
	1	2	3	4	5	6	7	8	9	10	11	12

BLANKED CAVITIES INDICATE CLOSED LOCATIONS
Leere Felder kennzeichnen geschlossene Kammern

WITH "X" MARKED CAVITIES INDICATE ALWAYS OPEN LOCATIONS
Markierte Felder mit "X" kennzeichnen immer offene Kammern



QTY REQD PER ASSY	PARTS LIST
1x	1x MVQ 12 POS. INLINER TO REAR BUMPER CONNECTOR PERIPHERAL SEAL ORANGE 4
1x	1x PBT-GF15 12 POS. INLINER TO REAR BUMPER CONNECTOR SPACER RED 3
1x	1x PBT-GF20 12 POS. INLINER TO REAR BUMPER CONNECTOR FEMALE HSG. CODING A BLACK 2
	1x PBT-GF20 12 POS. INLINER TO REAR BUMPER CONNECTOR FEMALE HSG. CODING A BLACK 1
1-1670400-2	1-1670400-1 MATERIAL DESCRIPTION COLOUR ITEM NO
G	G REVISION OF EACH ASSY NO (WHEN BLANK, USE DWG REVISION)
20.56	20.71 WEIGHT OF EACH ASSY NO (g)
6G9T-14A464-FMA	6G9T-14A464-FBA CUSTOMER PN

THIS DRAWING IS A CONTROLLED DOCUMENT FOR TYCO ELECTRONICS CORPORATION IT IS SUBJECT TO CHANGE AND THE CONTROLLING ENGINEERING ORGANIZATION SHOULD BE CONTACTED FOR THE LATEST REVISION.

DWN: M.KRESSMANN 14-Dec-06
CHK: K.ROTH 15-Dec-06

tyco Electronics AMP GmbH address_2

NAME: 12 POS. INLINER TO REAR BUMPER CON. FEMALE HSG. SEALED (1.5mm/2.8mm)

SIZE: A2 CAGE CODE: 00779 DRAWING NO: 1670400 RESTRICTED TO: -

MATERIAL: - DIMENSIONS: mm TOLERANCES UNLESS OTHERWISE SPECIFIED: 0 PLC ±0.3 1 PLC ±0.3 2 PLC ±0.3 3 PLC ±0.3 4 PLC ±0.3 ANGLES ±2 FINISH: -

CUSTOMER DRAWING SCALE: 2:1 SHEET 1 OF 1 REV B