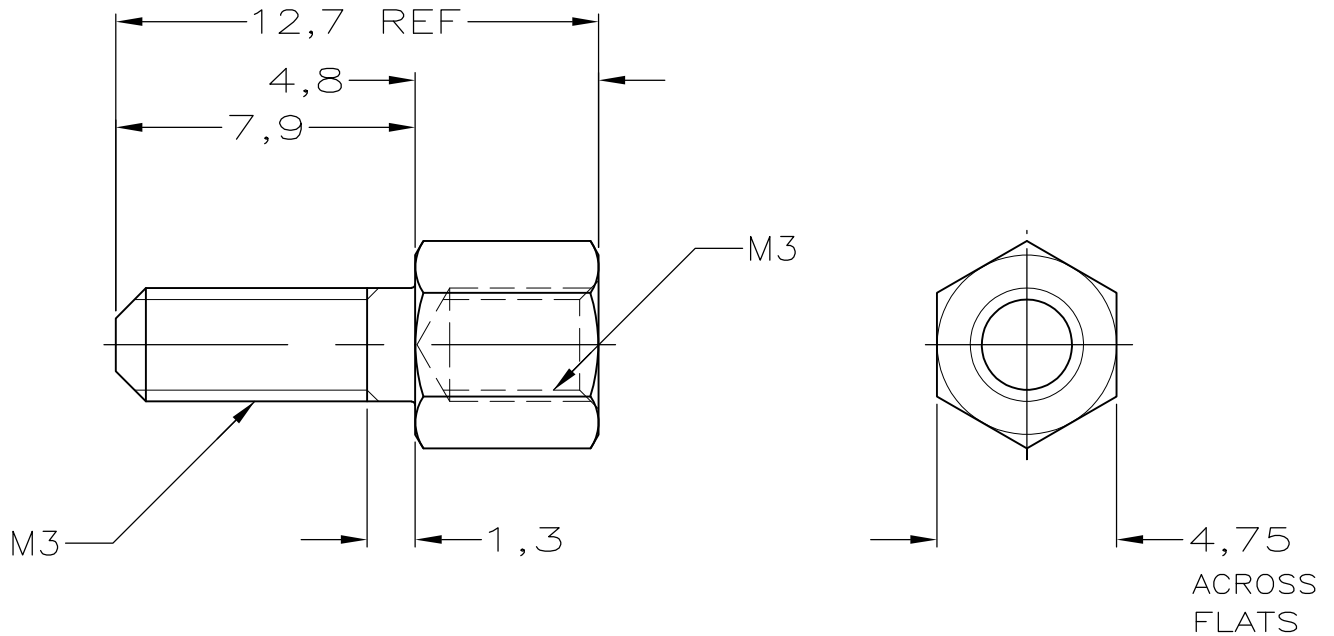


LOC H	DIST —	REVISIONS			
P	LTR	DESCRIPTION	DATE	DWN	APVD
	B	—	—	—	—
	E	ECR-09-001400	27-04-09	AEG	KMA



RELEASED FOR PUBLICATION

ALL INTERNATIONAL RIGHTS RESERVED.

BY TYCO ELECTRONICS CORPORATION.

© COPYRIGHT

OBSOLETE	BRIGHT TINPLATED	STEEL	166542-3
	ZINC YELLOW CHROMATE		166542-2
	FINISH	MATERIAL	PARTNUMBER

DIMENSIONS: mm	DWN P.D.JÄGER	31MAR89	MATERIAL	—	FINISH	—
	CHK —	—	Tyco Electronics Corporation 's-Hertogenbosch, Nederland			
TOLERANCES UNLESS OTHERWISE SPECIFIED:	APVD —	—				
0 PLC ± -	PRODUCT SPEC	—	NAME AMPLIMITE, SCREWLOCK, FEMALE, M3			
1 PLC ± -	—	—				
2 PLC ± -	APPLICATION SPEC	—	SIZE	CAGE CODE	DRAWING NO	RESTRICTED TO
3 PLC ± -	—	—	A4	00779	C-166542	—
4 PLC ± -	WEIGHT	—	CUSTOMER DRAWING			
ANGLES ± -			SCALE	—	SHEET	1 OF 1
						REV E