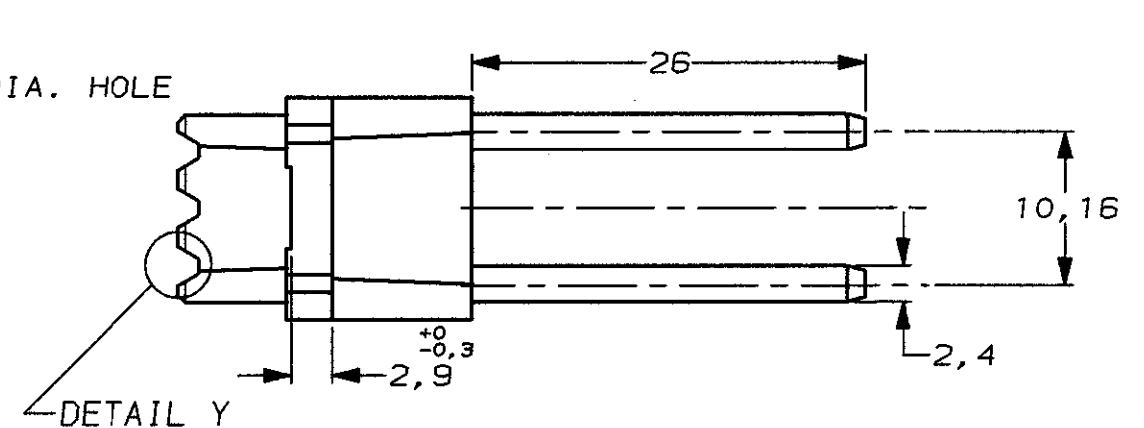
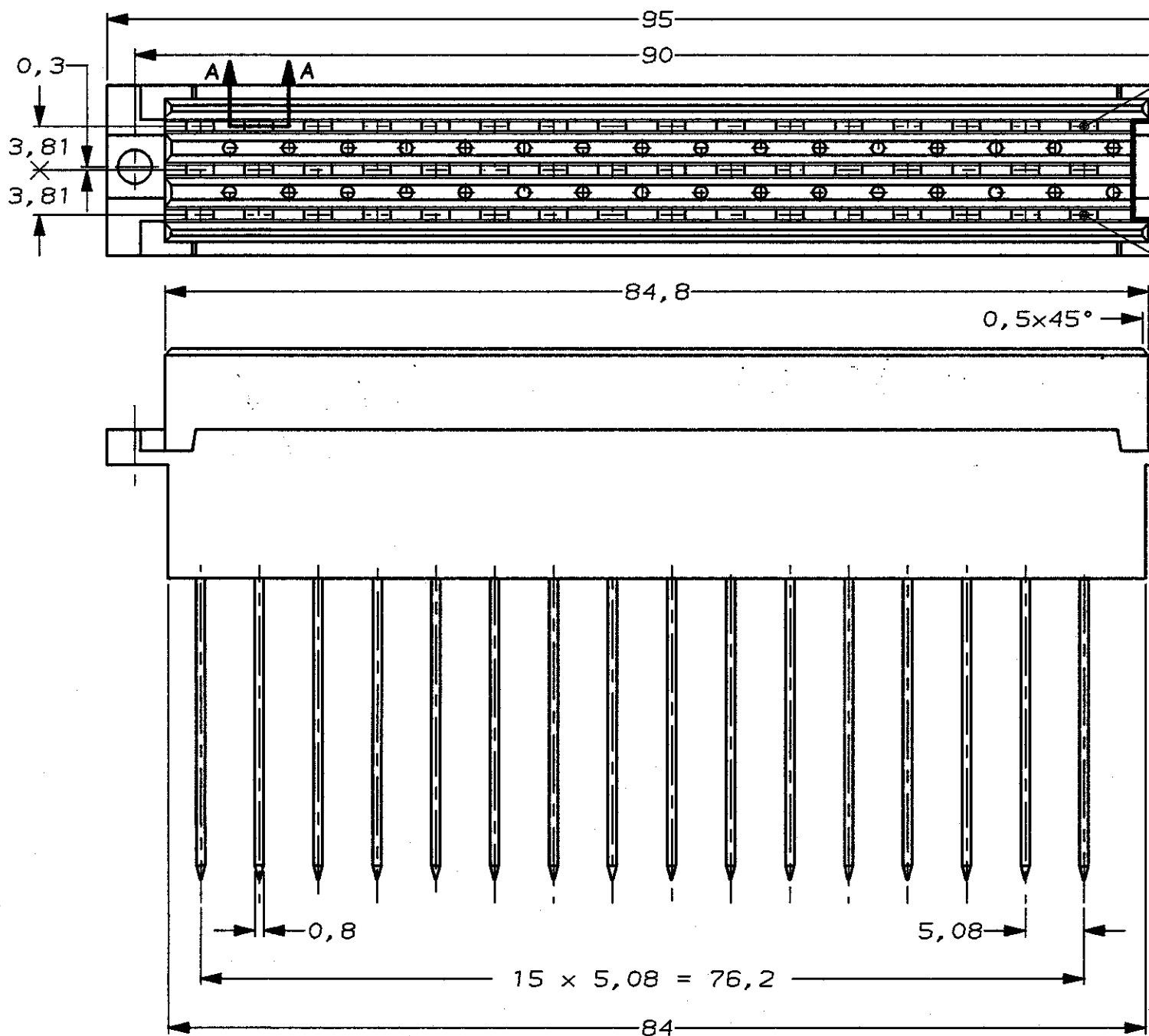
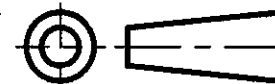


DO NOT SCALE  
DIMENSIONS IN mm

METRIC

THIRD ANGLE  
PROJECTION



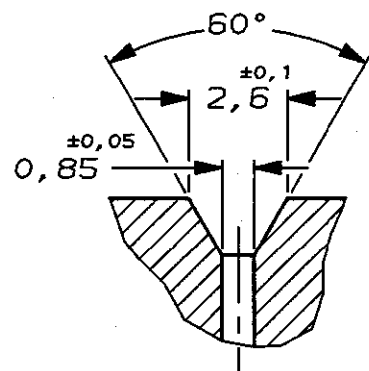
NOTES:

- ⚠ MATERIAL :
  - HOUSING : GLASSFILLED POLYCARBONATE (GREY).
  - CONTACTS: PHOSPHORBRONZE.
- ⚠ PLATING CONTACT :
  - 2- -1 : 1,25 μm Au OVER 1,25 μm Ni AT CONTACT AREA.  
GOLDFLASH OVER 1,25 μm Ni AT POST AREA.
  - 2- -4 : SAME AS 2- -1 EXCEPT 0,8 μm Au.
  - 2- -6 : SAME AS 2- -1 EXCEPT 3,75 μm Au.
  - 2- -7 : SAME AS 2- -1 EXCEPT 2,0 μm Au.
  - 2- -8 : SAME AS 2- -1 EXCEPT 0,4 μm Au.

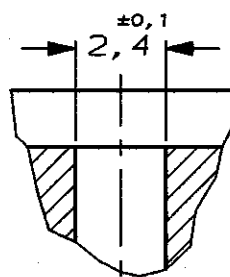
|            |            |            |
|------------|------------|------------|
| SEE NOTE 2 | SEE NOTE 1 | 2-166012-8 |
|            |            | 2-166012-7 |
|            |            | 2-166012-6 |
|            |            | 2-166012-4 |
|            |            | 2-166012-1 |

|       |   |   |   |   |    |    |    |    |    |    |    |    |    |    |    |    |
|-------|---|---|---|---|----|----|----|----|----|----|----|----|----|----|----|----|
| POS   | 2 | 4 | 6 | 8 | 10 | 12 | 14 | 16 | 18 | 20 | 22 | 24 | 26 | 28 | 30 | 32 |
| ROW z | X | X | X | X | X  | X  | X  | X  | X  | X  | X  | X  | X  | X  | X  | X  |
| ROW d | 0 | 0 | 0 | 0 | 0  | 0  | 0  | 0  | 0  | 0  | 0  | 0  | 0  | 0  | 0  | 0  |
| ROW b | X | X | X | X | X  | X  | X  | X  | X  | X  | X  | X  | X  | X  | X  | X  |

AN ASTERISK "X" DENOTES A CONTACT.



DETAIL Y  
SCALE 5:1



SECTION A-A  
SCALE 5:1

|                                                                                                            |  | FINISH                                                                        | MATERIAL | PARTNUMBER                                |
|------------------------------------------------------------------------------------------------------------|--|-------------------------------------------------------------------------------|----------|-------------------------------------------|
|                                                                                                            |  | -                                                                             | -        | 2-166012-8                                |
|                                                                                                            |  | -                                                                             | -        | 2-166012-7                                |
|                                                                                                            |  | -                                                                             | -        | 2-166012-6                                |
|                                                                                                            |  | -                                                                             | -        | 2-166012-4                                |
|                                                                                                            |  | -                                                                             | -        | 2-166012-1                                |
| CUSTOMER DRAWING                                                                                           |  |                                                                               |          | FOR REFERENCE ONLY<br>WILL NOT BE UPDATED |
| © COPYRIGHT 19- BY AMP HOLLAND B.V.                                                                        |  |                                                                               |          |                                           |
| ALL INTERNATIONAL RIGHTS RESERVED. AMP PRODUCTS MAY BE COVERED BY U.S. AND FOREIGN AND/OR PATENTS PENDING. |  |                                                                               |          |                                           |
| THIS DRAWING IS UNPUBLISHED                                                                                |  |                                                                               |          |                                           |
| RELEASED FOR PUBLICATION                                                                                   |  |                                                                               |          |                                           |
| NAME                                                                                                       |  | AMP HOLLAND B.V.<br>s-Hertogenbosch,<br>The Netherlands.                      |          |                                           |
| D EH-1280-95                                                                                               |  | 32 POS. FEMALE P.C. CONN.<br>ACC. TO DIN 41612<br>WITH MAXI TERMI POINT POSTS |          |                                           |
| LTR. REVISION RECORD                                                                                       |  | DR. CHK. DATE                                                                 |          |                                           |
| DR. J. Gibbels                                                                                             |  | APP. -                                                                        |          |                                           |
| DATE: 25-10-95                                                                                             |  | DATE: 3-11-95                                                                 |          |                                           |
| DWG. No. C-166012                                                                                          |  | REV. LTR. D                                                                   |          |                                           |
| SHEET 1 OF 1                                                                                               |  | A3                                                                            |          |                                           |