

THIS DRAWING IS UNPUBLISHED.

RELEASED FOR PUBLICATION

LOC

DIST

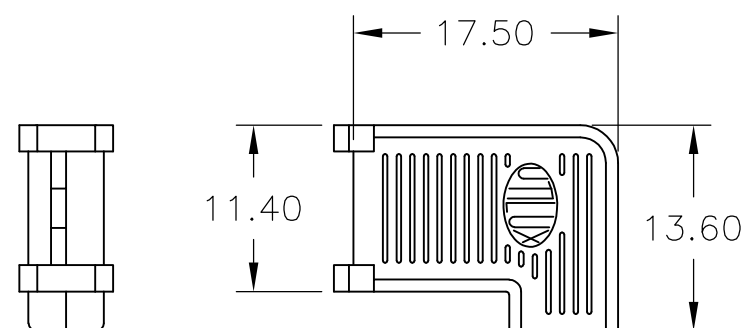
REVISIONS

© COPYRIGHT - By -

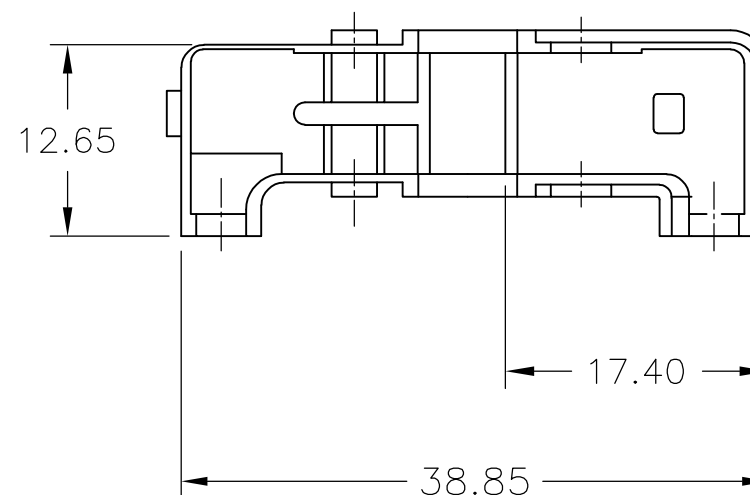
ALL RIGHTS RESERVED.

P	LTR	DESCRIPTION	DATE	DWN	APVD
	B	REVISED PER ECO-14-016770	06NOV2014	NK	RH

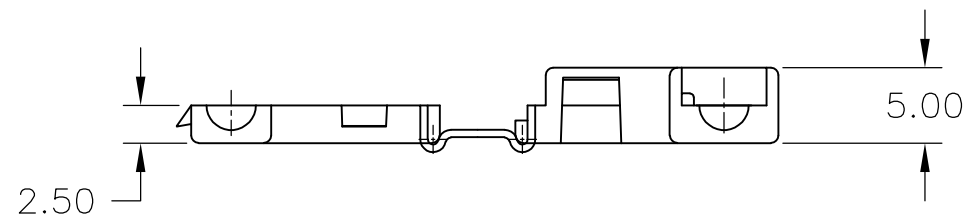
- 1 INSULATOR SUITABLE FOR USE WITH THE FOLLOWING 6.3 QC FLAG RECEPTACLE P/N's:
- 1627100 (H2591 SERIES)
 - 1627024 (H1191 SERIES)
 - 1627102 (H2593 SERIES)




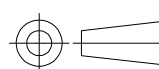
INSULATOR SHOWN IN CLOSED POSITION



AS SUPPLIED



NYLON 6,6 FLAME RETARDANT GRADE BLACK	INSULATOR, H30008	1-1659318-0
MATERIAL	DESCRIPTION	PART No.

THIS DRAWING IS A CONTROLLED DOCUMENT.		DWN W.RIEDE 9.12.04	 TE Connectivity					
DIMENSIONS: mm		CHK H.THAI 9.12.04				NAME INSULATOR, POST FIT		
		APVD W.RIEDE 9.12.04						
TOLERANCES UNLESS OTHERWISE SPECIFIED:		PRODUCT SPEC	SIZE	CAGE CODE	DRAWING NO	RESTRICTED TO		
0 PLC ± 0.40		---	---	---	---	---		
1 PLC ± 0.50		APPLICATION SPEC	---	---	---	---		
2 PLC ± 0.70		---	---	---	---	---		
3 PLC ± 1.00		---	---	---	---	---		
4 PLC ± -		---	---	---	---	---		
ANGLES ± 2'		---	---	---	---	---		
MATERIAL REF BLOCK		FINISH ---	WEIGHT 0.6g	A300779	C-1659318	---		
CUSTOMER DRAWING			SCALE 2:1	SHEET 1 OF 1	REV B	---		