

4

3

2

1

THIS DRAWING IS UNPUBLISHED.

RELEASED FOR PUBLICATION

© COPYRIGHT - BY TYCO ELECTRONICS CORPORATION.

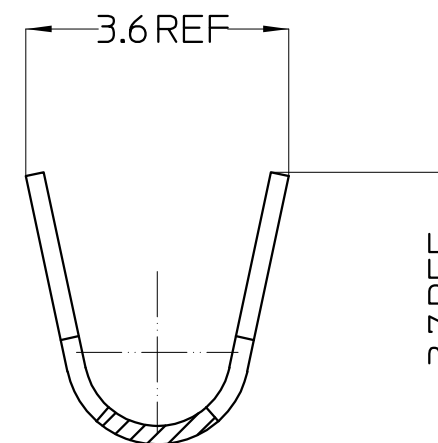
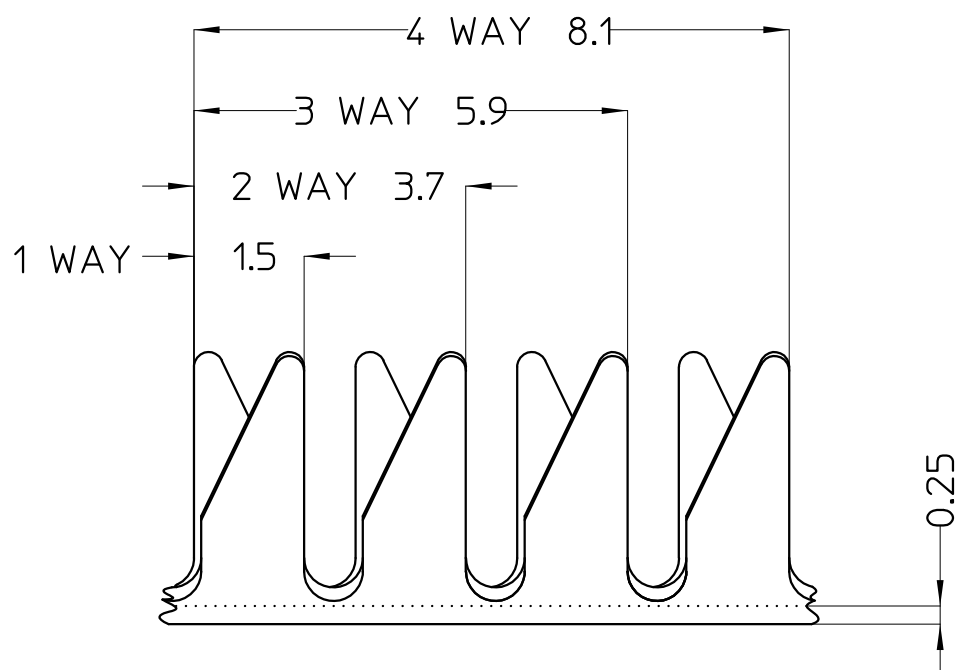
ALL RIGHTS RESERVED.

LOC U DIST -

REVISIONS

P	LTR	DESCRIPTION	DATE	DWN	APVD
-	-		-	-	-

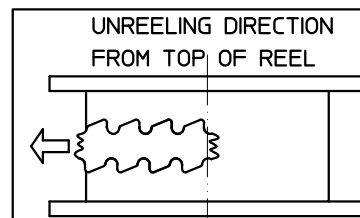
SUPPLIED IN CONTINUOUS STRIP - CUT TO LENGTH AS SHOWN



NOTES:

1. WIRE RANGE

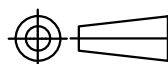
CONDUCTOR: 1.5mm² - 2.5mm²



THIS DRAWING IS A CONTROLLED DOCUMENT.

ALL DIMENSIONS IN mm:

DIMENSION (mm)	TOLERANCE (+mm)
LESS THAN 10	0.4
OVER 10 TO 30	0.5
OVER 30 TO 80	0.7
OVER 80 TO 250	1.0
ANGLES	±2°



MATERIAL REF. BLOCK

FINISH REF. BLOCK

BRASS PRE-TIN	TERMINAL, SHOE LACE H29105	1-1659299-0
MATERIAL	DESCRIPTION	PART No.

DWN: W.RIEDE 18MAY05

CHK: H.THAI 18MAY05

APVD: W.RIEDE 18MAY05

PRODUCT SPEC: -

APPLICATION SPEC: -

WEIGHT: -

tyco Tyco Electronics Corporation AUSTRALIA

NAME: TERMINAL, SHOE LACE

SIZE A3	CAGE CODE	DRAWING NO. C-1659299	RESTRICTED TO -
---------	-----------	-----------------------	-----------------

CUSTOMER DRAWING

SCALE 10:1	SHEET 1 OF 1	REV 0
------------	--------------	-------

THIS INFORMATION IS CONFIDENTIAL AND PROPRIETARY TO TYCO ELECTRONICS CORPORATION AND ITS WORLDWIDE SUBSIDIARIES AND AFFILIATES. IT MAY NOT BE DISCLOSED TO ANYONE OTHER THAN TYCO ELECTRONICS PERSONNEL WITHOUT WRITTEN PERMISSION FROM TYCO ELECTRONICS CORPORATION, HARRISBURG, PENNSYLVANIA, USA.