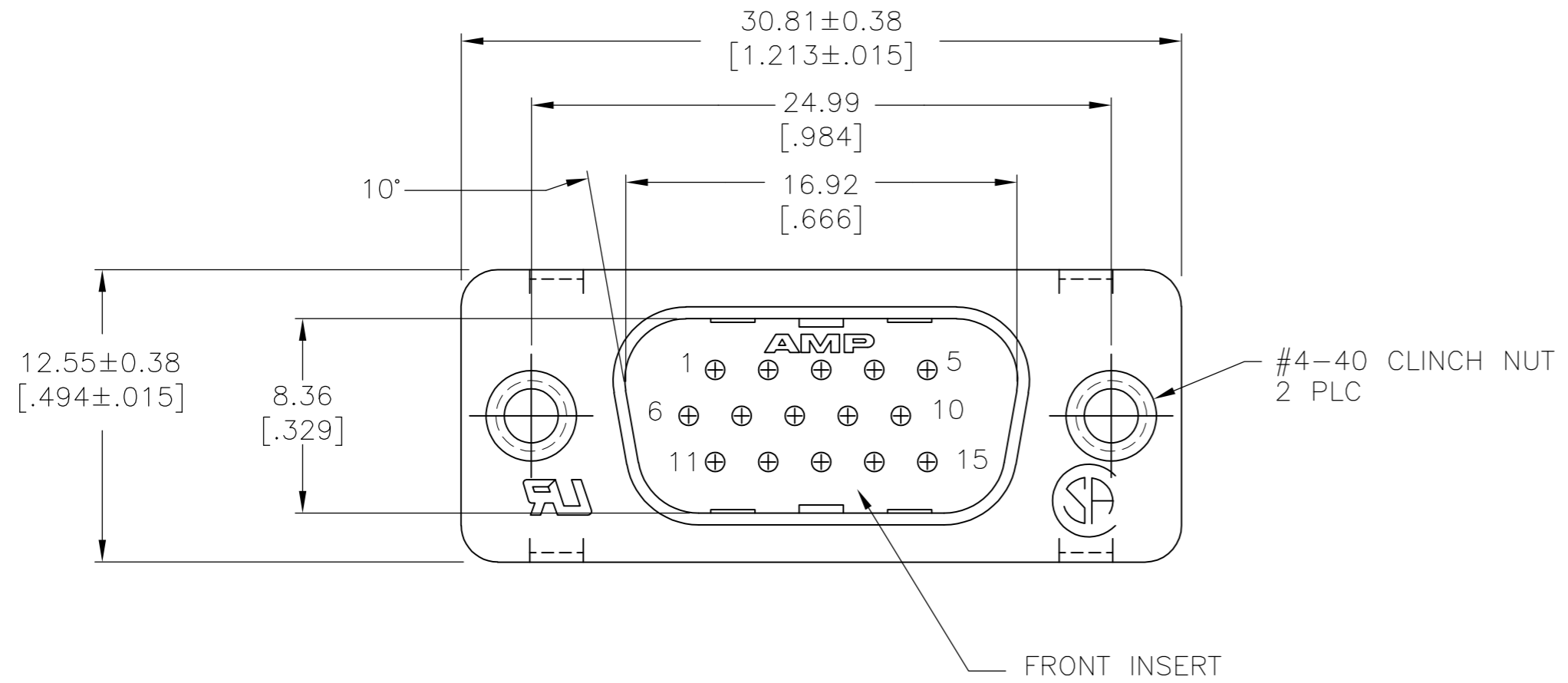
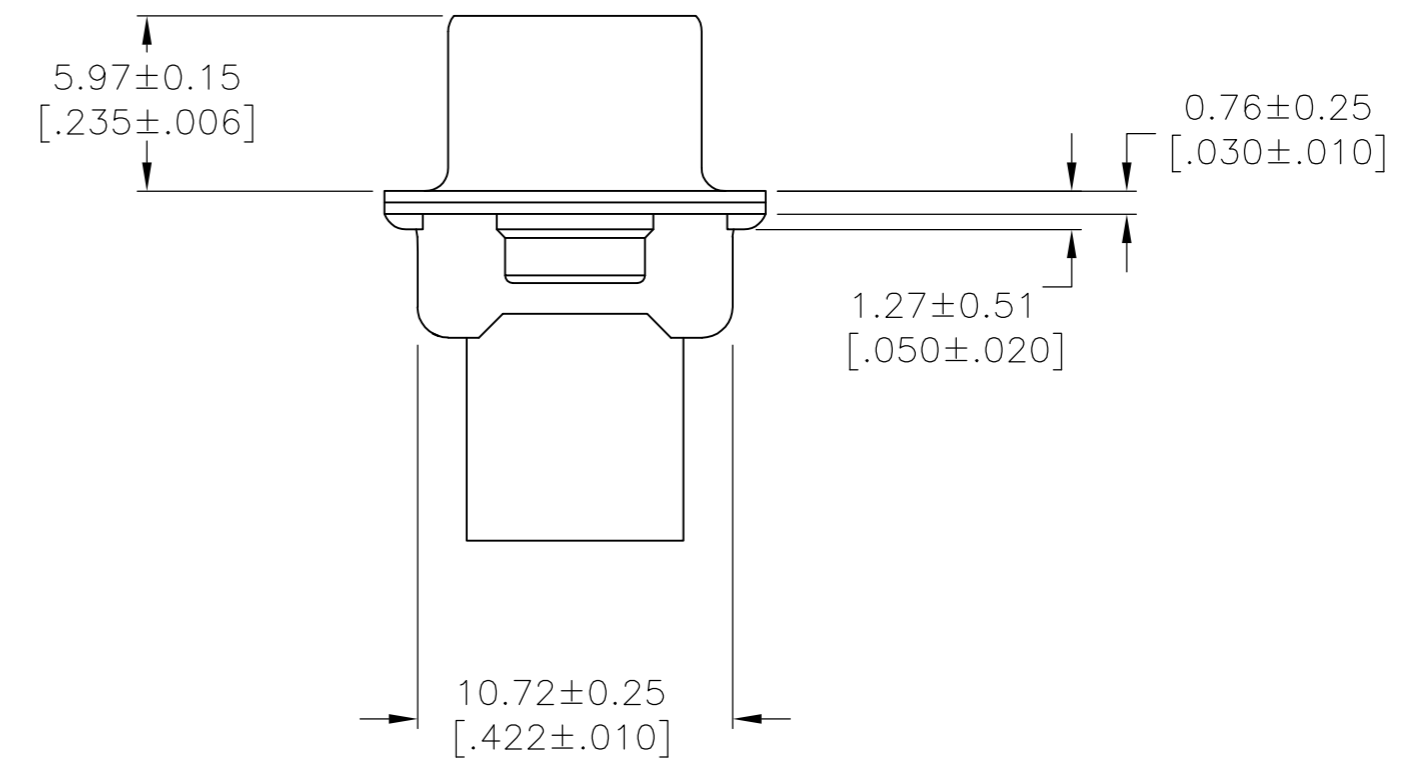
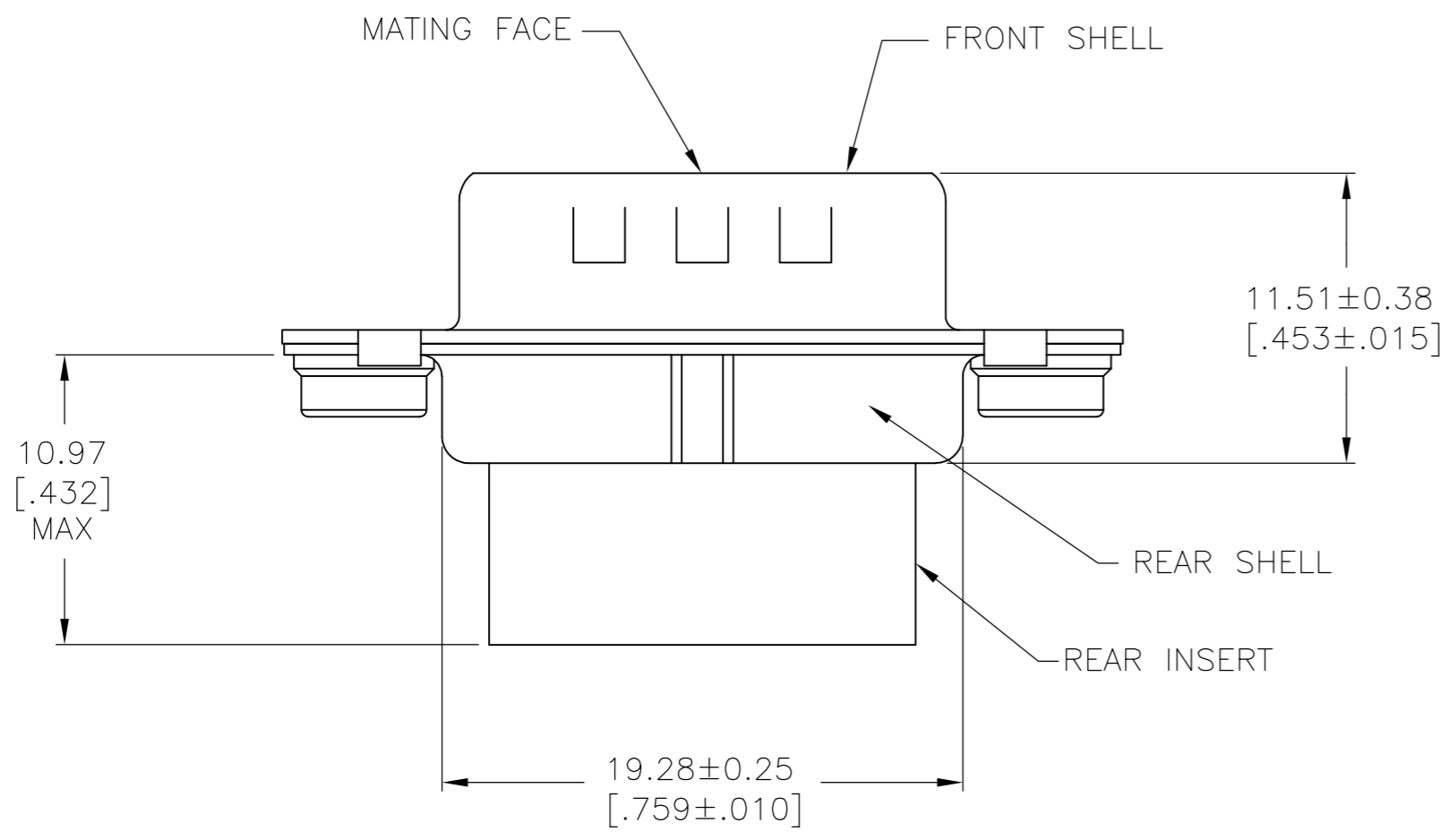


THIS DRAWING IS UNPUBLISHED. RELEASED FOR PUBLICATION
 © COPYRIGHT BY TYCO ELECTRONICS CORPORATION. ALL RIGHTS RESERVED.

LOC	DIST	REVISIONS			
P	LTR	DESCRIPTION	DATE	DWN	APVD
GP	00				
	A	REVISED PER ECO-10-020603	20DEC2010	CJV	VDR



- CONNECTOR ACCEPTS SIZE 22 OF PIN CONTACTS, RETENTION TINES ARE AN INTEGRAL PART OF INSERT.
- SHELLS & CLINCH NUTS: CARBON STEEL. INSERTS: NYLON, BLACK, UL94V-0 RATED.
- SHELLS: 0.0508[.000200] MIN TIN OVER 0.0254[.000100] MIN COPPER. CLINCH NUTS: ZINC PER ASTM B633, TYPE II, CLASS SCI, CLEAR CHROMATE.



1658993-1
 PART NUMBER

THIS DRAWING IS A CONTROLLED DOCUMENT.		DWN B. MCMASTER 26JAN04	Tyco Electronics Corporation Harrisburg, Pa 17105-3608	
DIMENSIONS: mm [INCHES]		CHK S. BOLASH 26JAN04	NAME PLUG ASSY. SIZE 1, 15 POSN. CLINCH NUTS, SHIELDING HDW, AMPLIMITE HDP-22	
TOLERANCES UNLESS OTHERWISE SPECIFIED:		APVD M. WALMSLEY 26JAN04	DRAWING NO. 114-10,001	
0 PLC ± -		PRODUCT SPEC 108-1268	RESTRICTED TO -	
1 PLC ± -		APPLICATION SPEC	SCALE 4:1 SHEET 1 OF 1 REV A	
2 PLC ± 0.13[.005]		WEIGHT -	CAGE CODE 00779	
3 PLC ± -		CUSTOMER DRAWING		
4 PLC ± -		SCALE 4:1 SHEET 1 OF 1 REV A		
ANGLES ± 2°		C=1658993		
FINISH		SCALE 4:1 SHEET 1 OF 1 REV A		