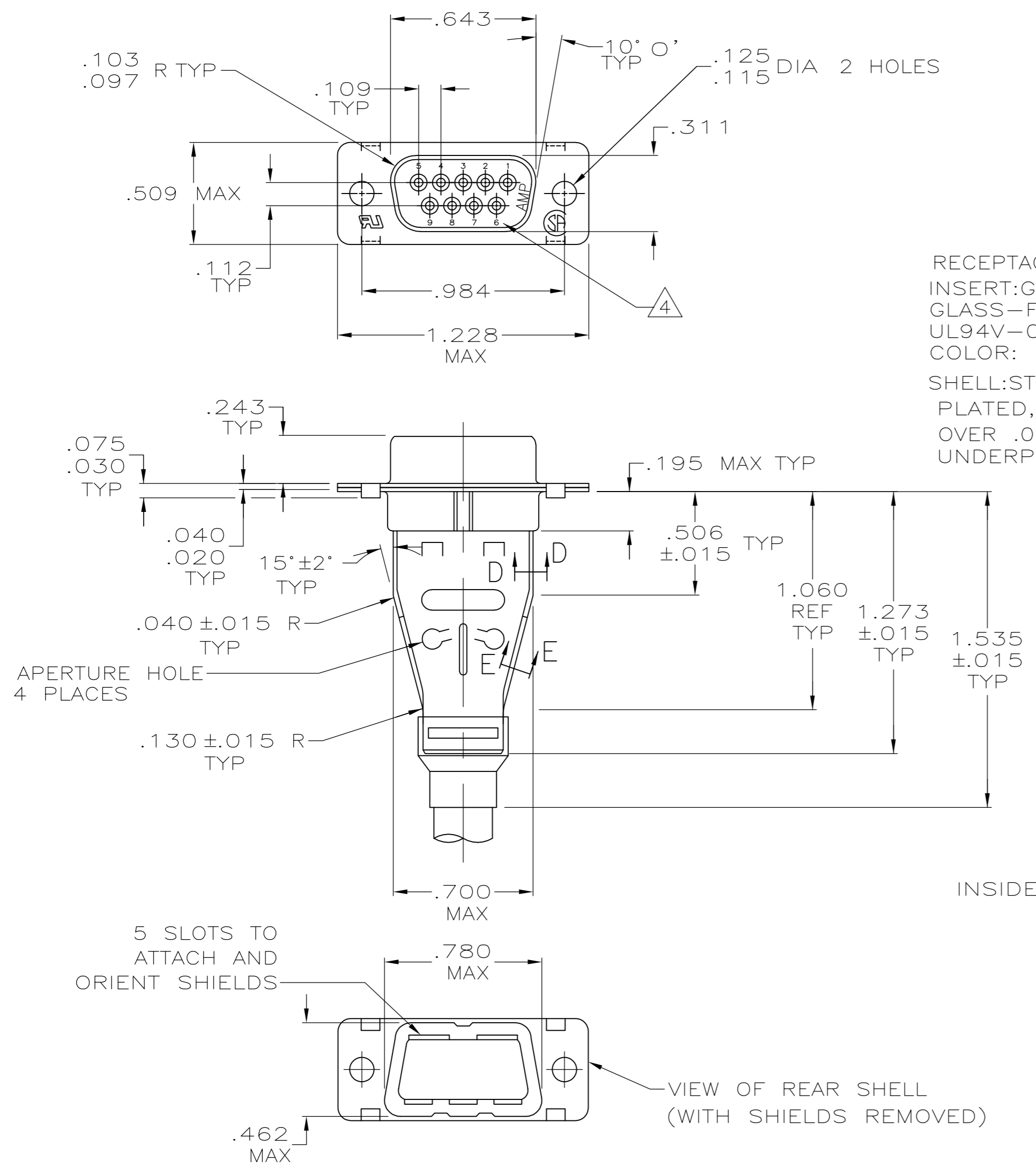
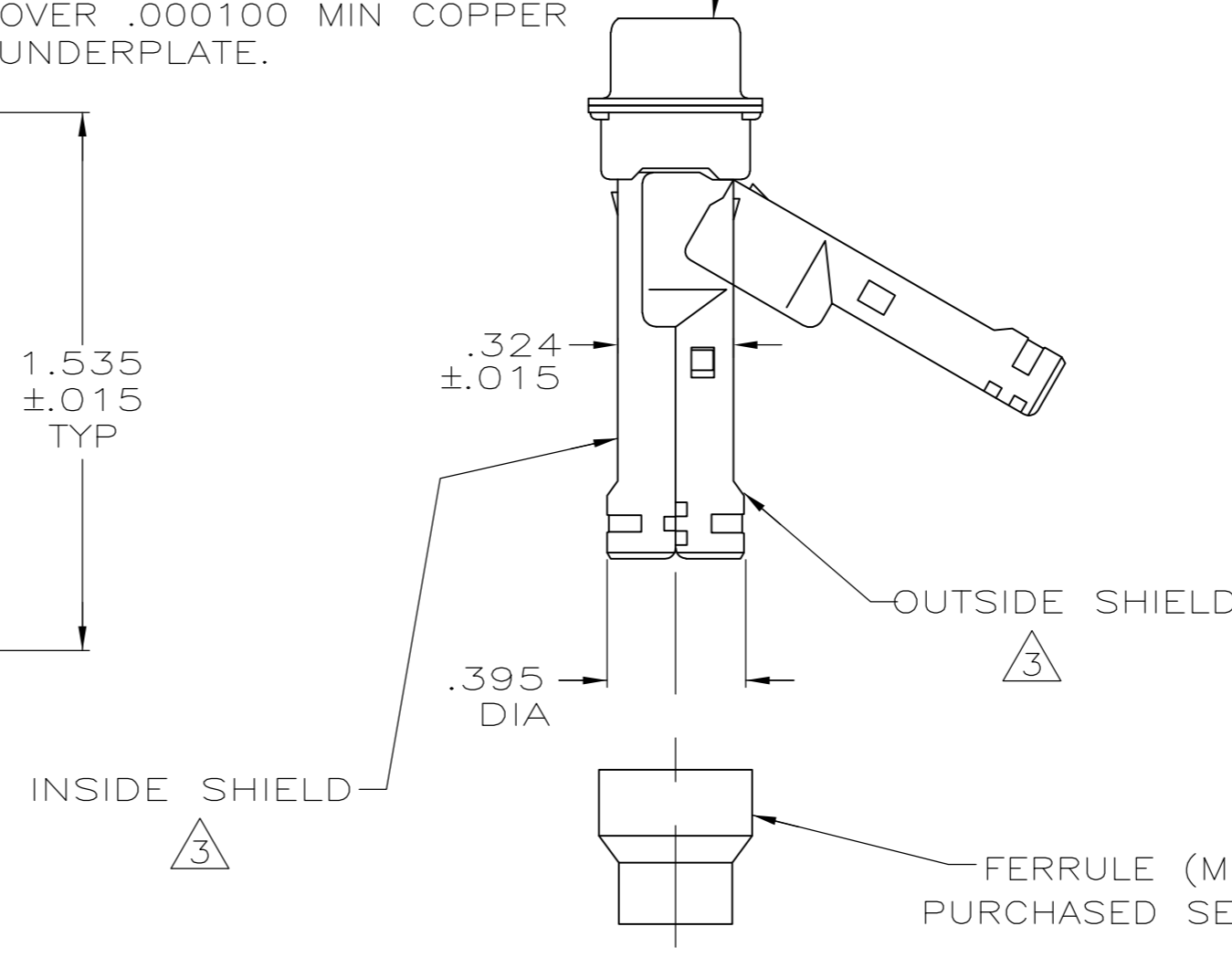
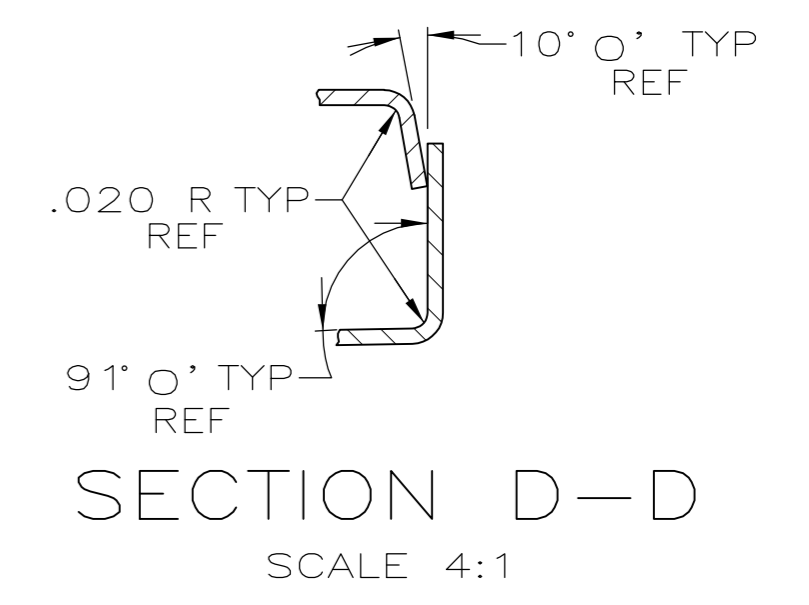


THIS DRAWING IS UNPUBLISHED. RELEASED FOR PUBLICATION  
 © COPYRIGHT - By - ALL RIGHTS RESERVED.

REVISIONS				
P	LTR	DESCRIPTION	DATE	APVD
S		REVISED ECO-17-003325	09JUN2017	AP DG



RECEPTACLE CONNECTOR 1  
 INSERT: GLASS-FILLED PBT OR GLASS-FILLED NYLON, UL94V-0 RATED. COLOR: BLACK  
 SHELL: STEEL PER ASTM A109 PLATED, .000200 MIN TIN OVER .000100 MIN COPPER UNDERPLATE.



- 1 RECEPTACLE ACCEPTS SIZE 20 SOCKET CONTACTS (CONTACTS ORDERED SEPARATELY)
- 2 ALL PARTS SHIPPED UNASSEMBLED, EACH PART INDIVIDUALLY BULK PACKED.
- 3 SHIELDS: MATERIAL-.020 THICK STAINLESS STEEL,
- 4 RAISED CAVITY IDENTIFICATION AND AMP TRADEMARK.

1658646-1  
 PART NUMBER

THIS DRAWING IS A CONTROLLED DOCUMENT.		DWN J.REITZEL 30JUL03		
DIMENSIONS: INCHES		CHK S.BOLASH 30JUL03		
TOLERANCES UNLESS OTHERWISE SPECIFIED:		APVD M.WALMSLEY 30JUL03	NAME	
0 PLC ± -		PRODUCT SPEC 108-40030	KIT, RCPT, SHIELDING HARDWARE, SIZE 1, 9 POSITION, AMPLIMITE™ HDP-20	
1 PLC ± -		APPLICATION SPEC 114-40030	SIZE A2	CAGE CODE 00779
2 PLC ± -		WEIGHT 0	DRAWING NO C=1658646	RESTRICTED TO -
3 PLC ± .005		CUSTOMER DRAWING	SCALE 2:1	SHEET 1 of 1
4 PLC ± -				REV S
ANGLES ± 0° 30'				
MATERIAL SEE CALL OUT 3				
FINISH SEE CALL OUT 3				