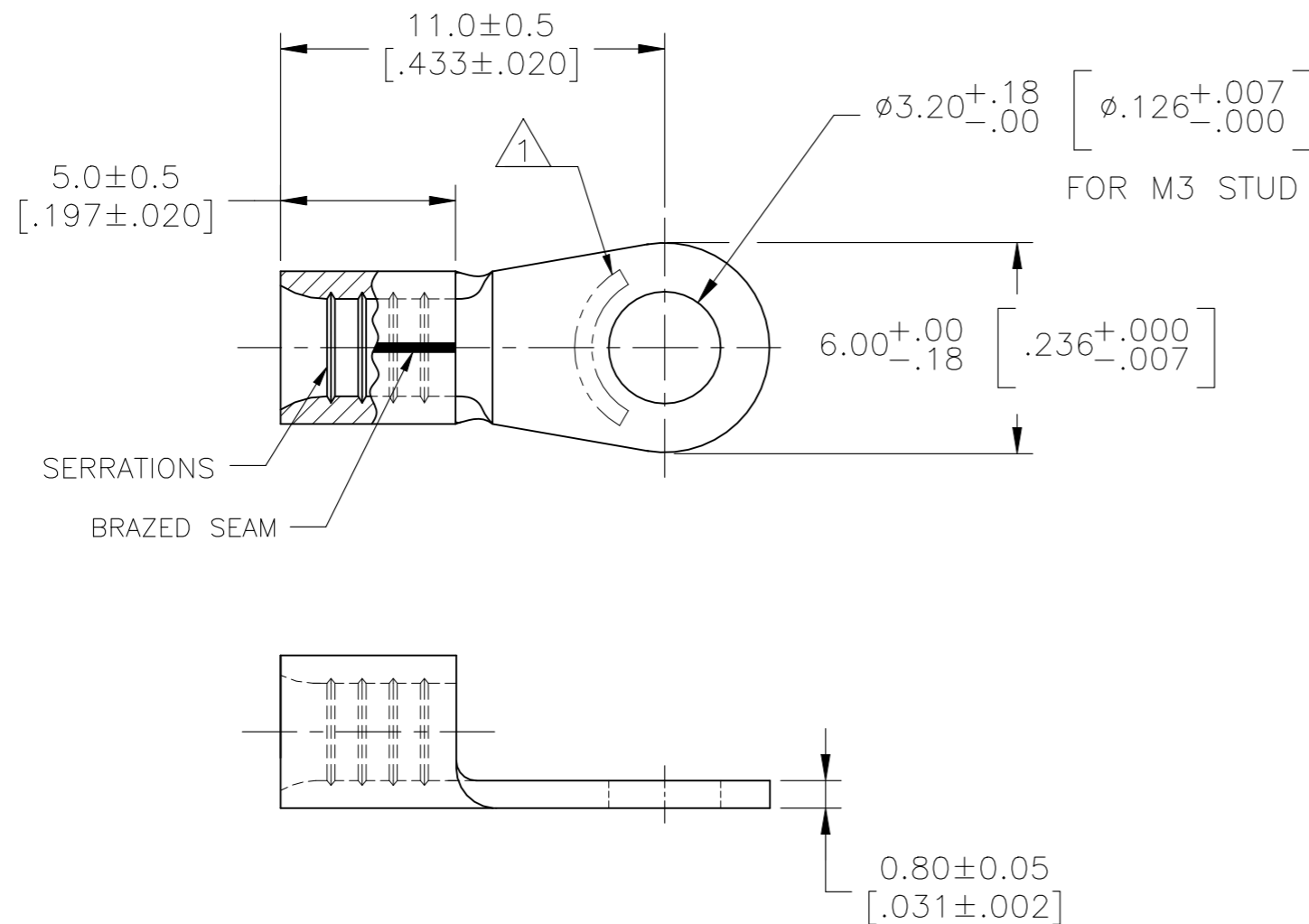


REVISIONS

P	LTR	DESCRIPTION	DATE	DWN	APVD
	C1	REV PER ECR-24-197633	14FEB2024	LP	DSC



- 1 STAMP "AMP 3-2.5" APPROX AS SHOWN
- 2 MATERIAL: COPPER PER ASTM B152, ANNEALED
- 3 FINISH: TIN PLATE 0.0030[.000120] MIN EXT THK PER ASTM B545

1000	LOOSE PIECE	165295
QTY	PACKAGING TYPE	PART NO

THIS DRAWING IS A CONTROLLED DOCUMENT.		DWN 27DEC2023 SANTOSHACHAR S	STE TE Connectivity	
DIMENSIONS: mm [INCHES]		CHK 27DEC2023 CHETHAN SUVARNA D		
TOLERANCES UNLESS OTHERWISE SPECIFIED:		APVD 27DEC2023 CHETHAN SUVARNA D	NAME	
0 PLC ± -		PRODUCT SPEC	TERMINAL, RING TONGUE, SOLISTRAND, DIN 46234 WIRE SIZE: 1.5-2.5 mm ²	
1 PLC ± -		APPLICATION SPEC	SIZE	CAGE CODE
2 PLC ± -		WEIGHT	A3	00779
3 PLC ± -		CUSTOMER DRAWING	DRAWING NO	
4 PLC ± -		SCALE	C-165295	
ANGLES ± -		SHEET	1 OF 1	
FINISH		RESTRICTED TO	REV	
2			C1	
3				