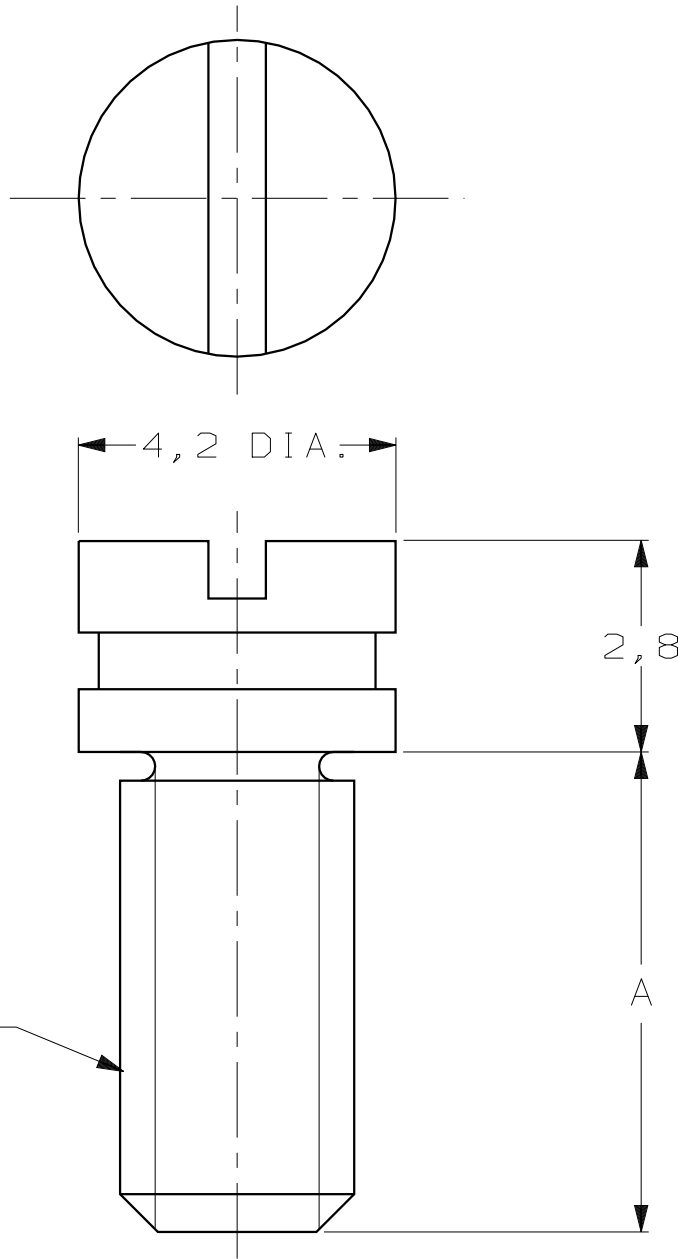
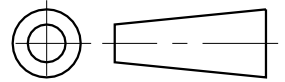


DO NOT SCALE

DIMENSIONS IN mm

METRIC

THIRD ANGLE  
PROJECTION



THREAD  
4-40 UNC

SUPERSEDED BY -5

C	ECR-05-010734	JvdH	JB	09 SEP 05
B	EHCO-0411-04	JvdH	PDJ	06 JUL 04
LTR.	REVISION RECORD	DR.	CHK.	DATE

BRIGHT TINPLATED	6,35	STEEL	164891-5
<del>ZINC PLATED YELLOW CHROMATED</del>	<del>6,35</del>		<del>164891-2</del>
FINISH	DIM. A	MATERIAL	PARTNUMBER

<p><b>CUSTOMER DRAWING</b></p> <p>FOR REFERENCE ONLY WILL NOT BE UPDATED</p>			AMP-HOLLAND B.V. 's-Hertogenbosch, The Netherlands.	
	THIS DRAWING IS UNPUBLISHED <del>RELEASED FOR PUBLICATION</del> _____, 19__			
	© COPYRIGHT 19__ BY AMP-HOLLAND B.V. ALL INTERNATIONAL RIGHTS RESERVED. AMP PRODUCTS MAY BE COVERED BY U.S. AND FOREIGN PATENTS AND/OR PATENTS PENDING.			

DR. B.M00IJ	DATE 04-10-88	WIRE RANGE -	NAME AMPLIMITE, SLIDE LATCH POST		REV. DATE D M Y		
CHK. C.v.TILBURG	DATE 04-10-88	INSUL. RANGE -			20	4	89
APP. L.v.S0EST	DATE 04-10-88	SIZE A4	SHEET 1 OF 1	DWG. No. 164891	REV. LTR. C		