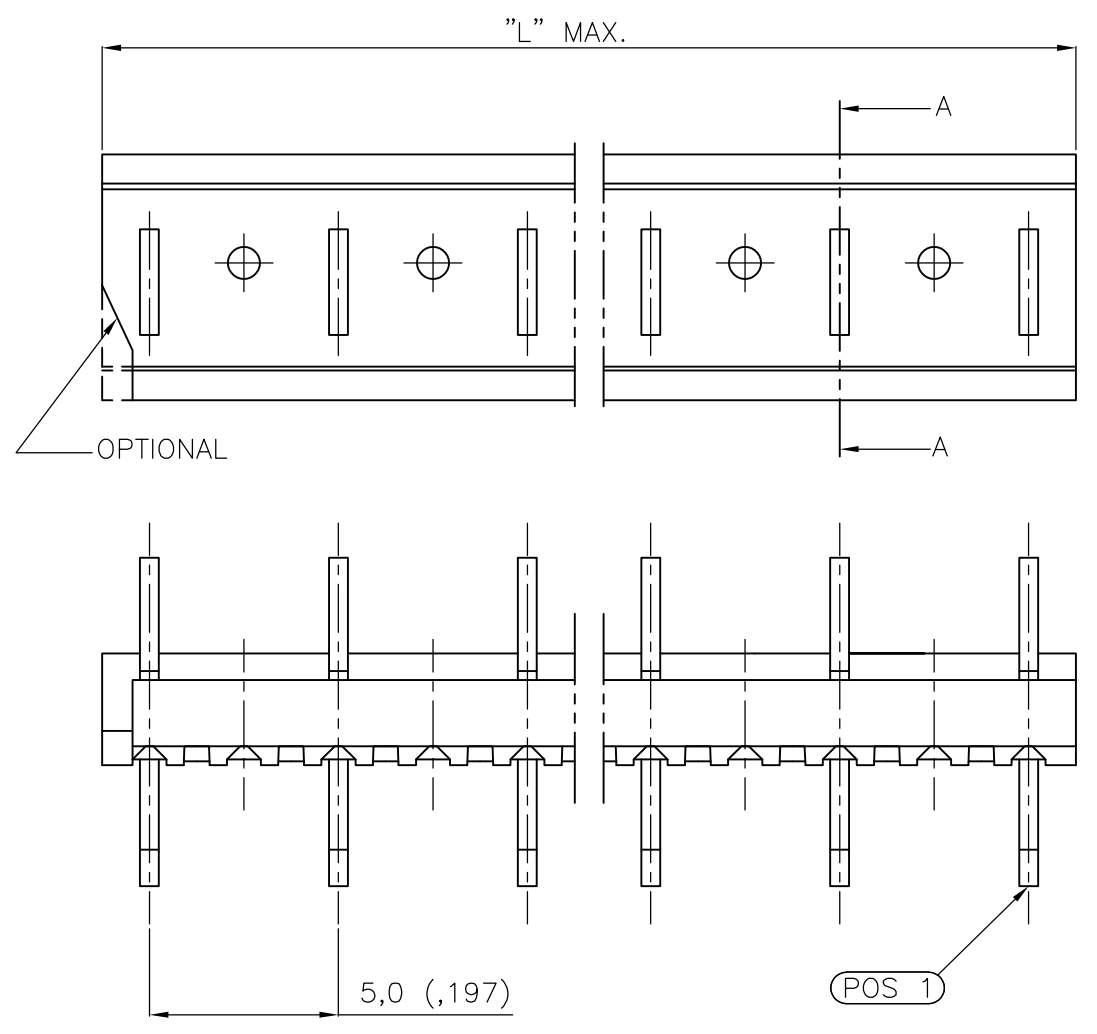


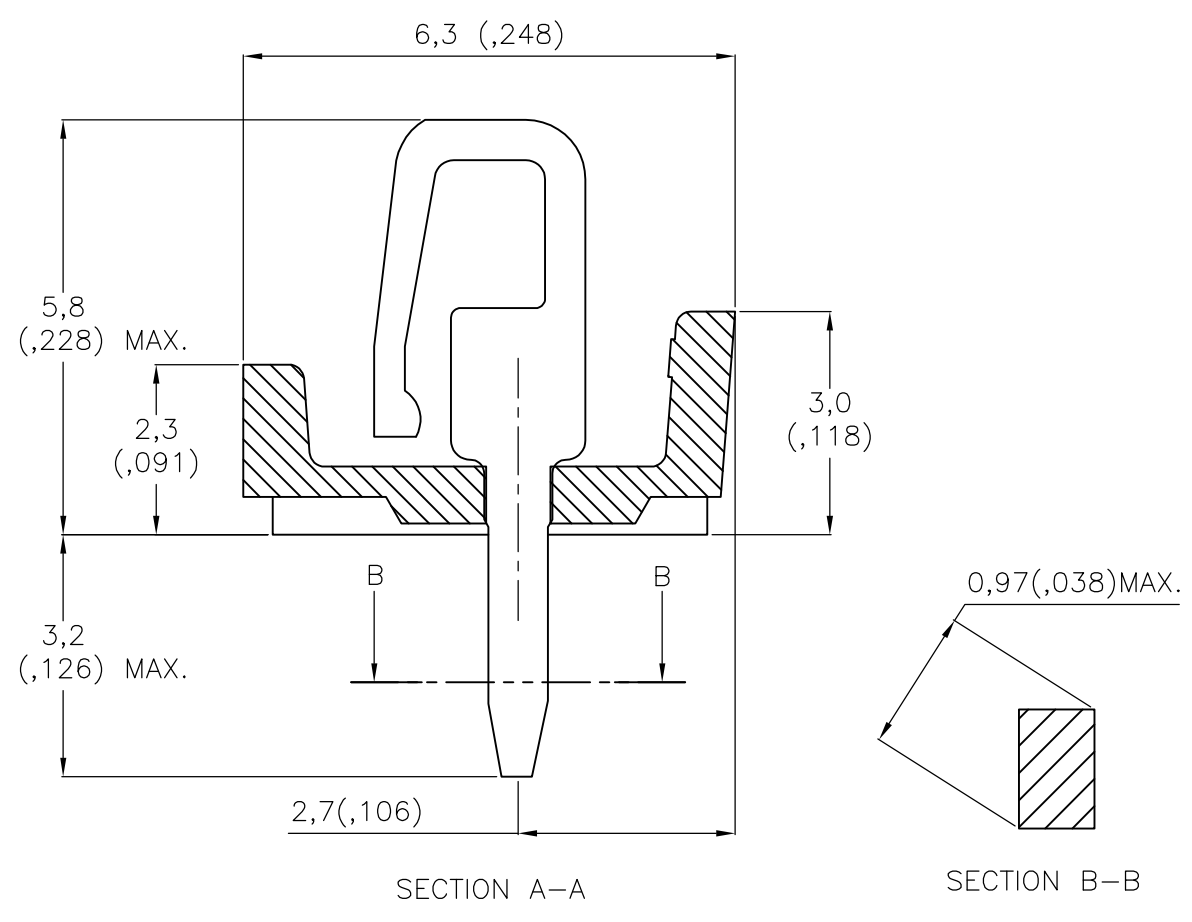
THIS DRAWING IS UNPUBLISHED. RELEASED FOR PUBLICATION
 © COPYRIGHT - BY TYCO ELECTRONICS CORPORATION. ALL INTERNATIONAL RIGHTS RESERVED.

LOC	DIST	REVISIONS					
		P	LTR	DESCRIPTION	DATE	DWN	APVD
H	-		J	EH-0777-96	04-07-96	D.K.	-
			J1	ECR-08-014307	17-09-08	AEG	WRV
			J2	REVISED PER ECO-09-020689	24AUG09	KK	AEG



1 OBSOLETE PARTS: OBSOLETE CIS STREAMLINING PER D.RENAUD/D.SINISI

	PART NUMBER	NUMBER OF POS.	"L" MAX.	
			mm	INCH
OBSOLETE	164856-2	2	7,5	.295
1 OBSOLETE	164856-3	3	12,5	.492
	164856-4	4	17,5	.689
	164856-5	5	22,5	.886
OBSOLETE	164856-6	6	27,5	1.083
1	164856-7	7	32,5	1.280
	164856-8	8	37,5	1.476
OBSOLETE	164856-9	9	42,5	1.673
1	1-164856-0	10	47,5	1.870
	1-164856-1	11	52,5	2.067
	1-164856-2	12	57,5	2.264
OBSOLETE	1-164856-3	13	62,5	2.461
1	1-164856-4	14	67,5	2.657
OBSOLETE	1-164856-5	15	72,5	2.854



HOUSING: PBT 20% GLASSFILLED
 CONTACT: TIN-LEAD (93/7) OVER NICKEL PLATED BRASS
 MATERIAL PARTNUMBER
 SEE TABLE

THIS DRAWING IS A CONTROLLED DOCUMENT.		DWN D.KESSLER 04JUL96	Tyco Electronics Corporation 's-Hertogenbosch, Nederland	
DIMENSIONS: mm		CHK H.V.DELFT	NAME	
TOLERANCES UNLESS OTHERWISE SPECIFIED:		APVD E.LEIJTENS	MINI-MATCH MALE CONN. ASS'Y 2-15 POS. 5,0mm PITCH	
0 PLC ± -	1 PLC ± -	PRODUCT SPEC	SIZE	CAGE CODE
2 PLC ± -	3 PLC ± -	APPLICATION SPEC	DRAWING NO	
4 PLC ± -	ANGLES ± -	WEIGHT -	RESTRICTED TO	
MATERIAL -	FINISH -	A3 00779 C-164856		
CUSTOMER DRAWING			SCALE NTS	SHEET 1 OF 1
			REV J2	