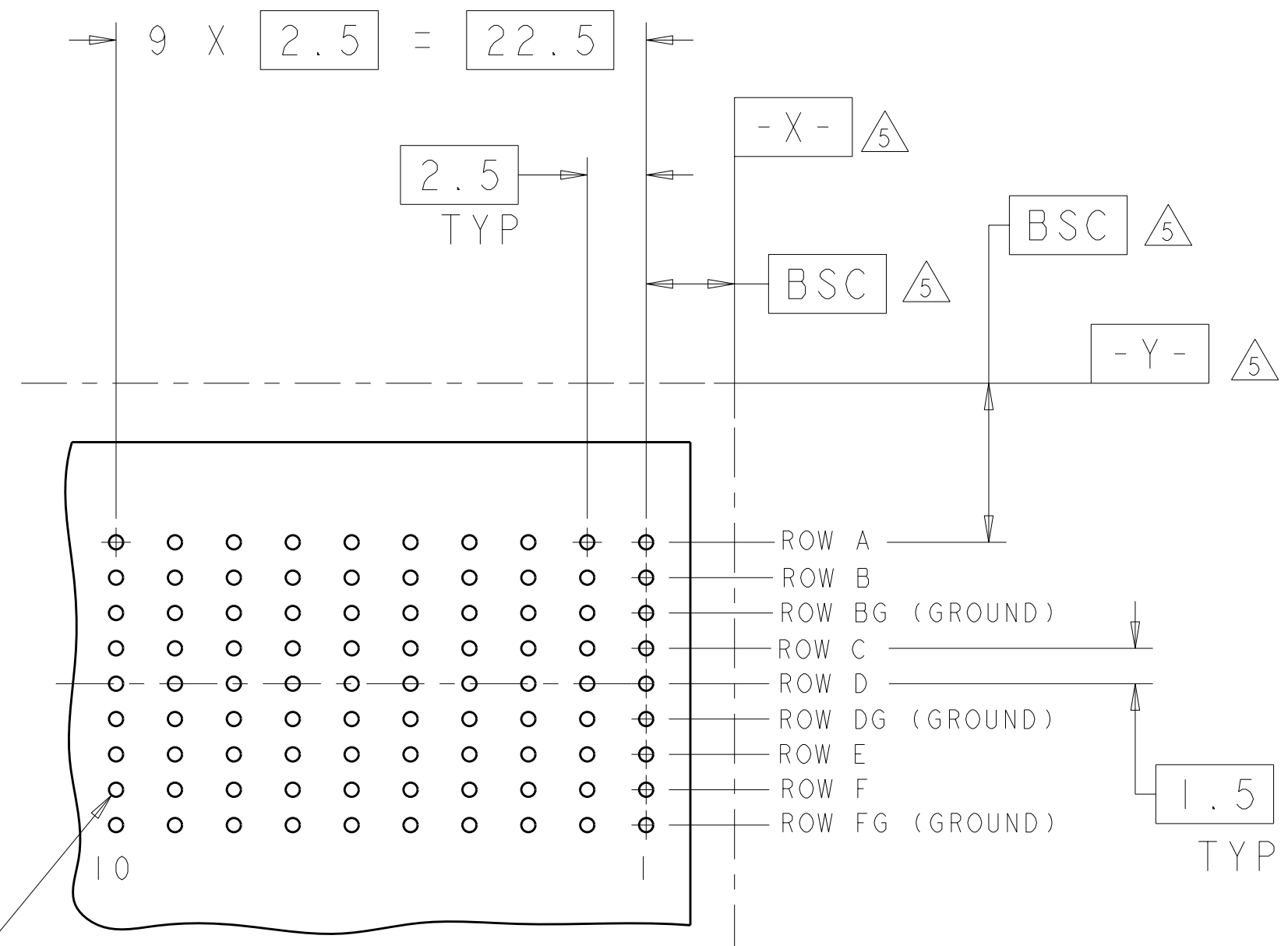
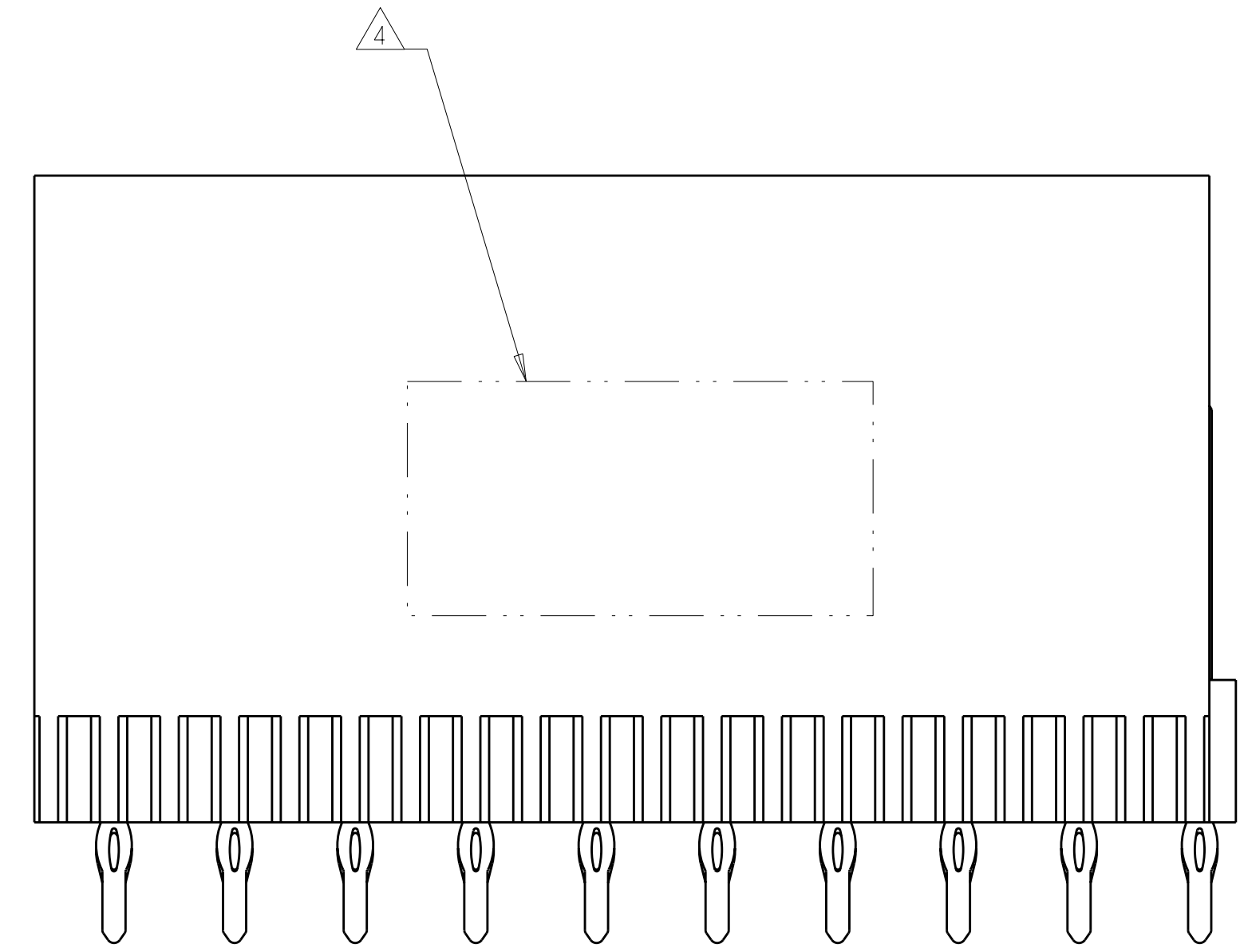
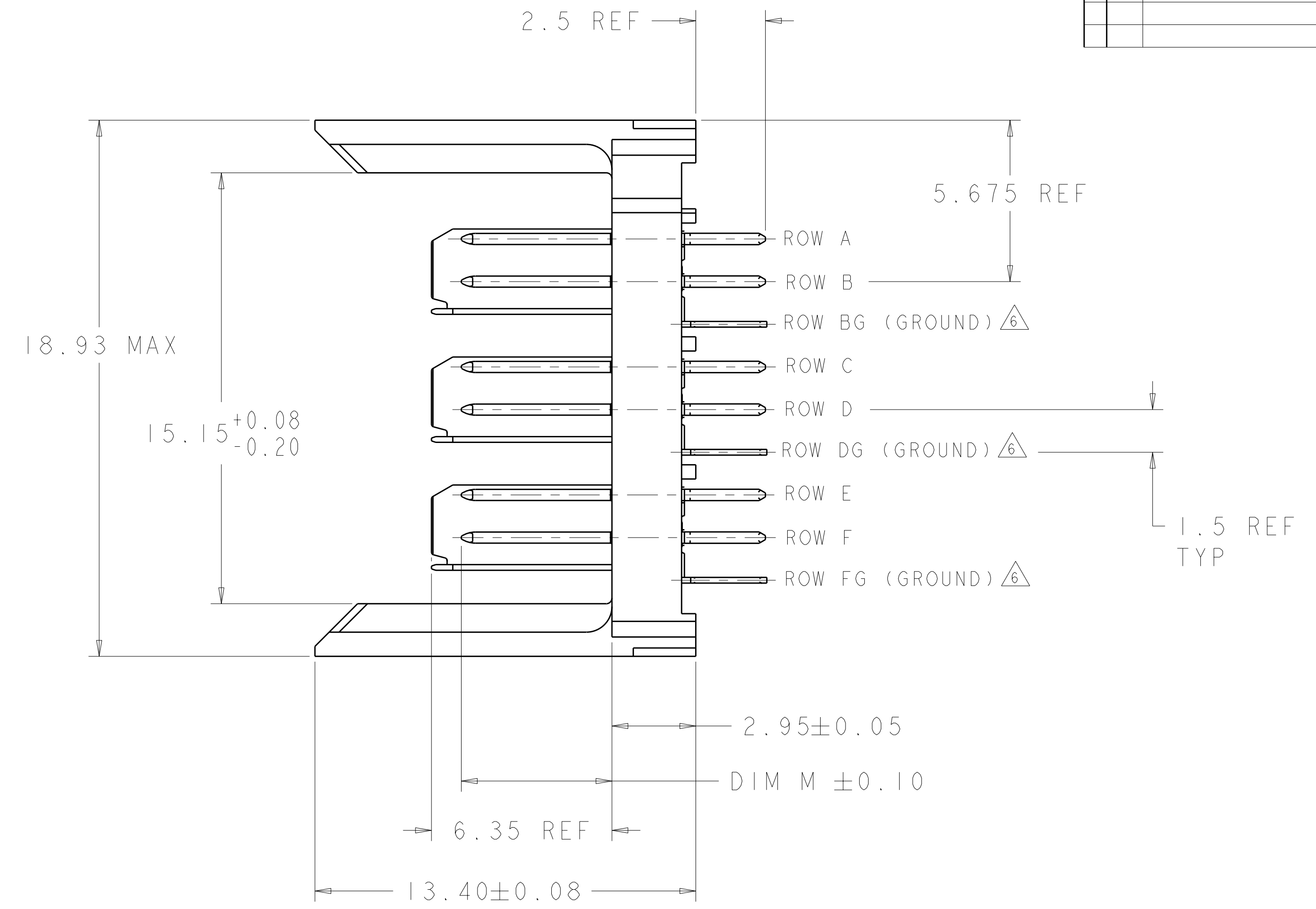
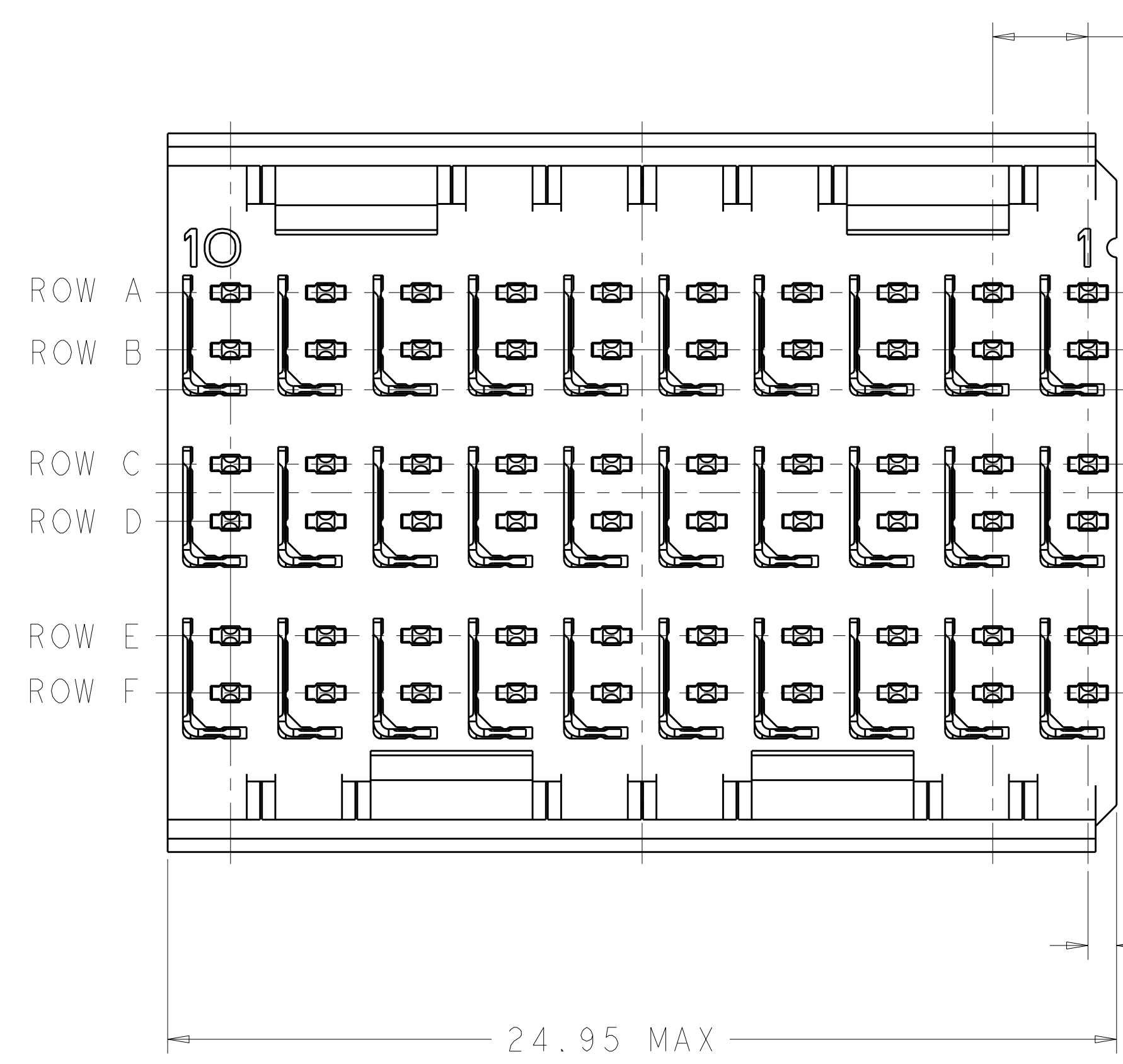


LOC	DIST	REV	DATE	BY	APPD
AD	00	A	03NOV2011	RG	JE



⊕ | ∅0.05 | X | Y
 ALL PLATED THRU HOLES

RECOMMENDED PC BOARD LAYOUT, BACKPLANE, COMPONENT SIDE SHOWN SCALE 4:1

- △ REFERENCE APPLICATION SPEC 114-13059 FOR RECOMMENDED PLATED THRU HOLE DIAMETER AND PLATING THICKNESSES.
- △ MATERIAL: CONTACT AND SHIELD - PHOSPHOR BRONZE HOUSING - GLASS FILLED POLYESTER, UL 94V-0.
- △ FINISH: SIGNAL AND GROUND CONTACTS: MATING AREA: 0.76µm MIN GOLD OVER 1.27µm NICKEL COMPLIANT PIN AREA: 0.5 µm MIN MATTE TIN OVER 1.27µm MIN NICKEL
- △ CONNECTOR MARKED WITH PART NUMBER AND DATE CODE.
- △ DATUMS AND BASIC DIMENSIONS ESTABLISHED BY CUSTOMER.
- △ THE THREE GROUNDS IN EACH COLUMN ARE COMMONED.
- 7. CONTACT AREA LUBRICATED WITH BELLCORE APPROVED LUBRICANT. TECHNICAL REFERENCE: GR-1217-CORE, ISSUE 1, NOVEMBER 1995.
- △ FINISH: CONTACT AND SHIELD MATING AREA - 0.076µm MIN GOLD OVER 0.686µm MIN PALLADIUM NICKEL OVER 1.27µm MIN NICKEL COMPLIANT PIN AREA - 0.5µm MIN MATTE TIN OVER 1.27µm MIN NICKEL

3.80	△8	1645617-4
5.30	△8	1645617-3
3.80	△3	1645617-2
5.30	△3	1645617-1
DIM M	FINISH	PART NUMBER

THIS DRAWING IS A CONTROLLED DOCUMENT.

DIMENSIONS:	TOLERANCES UNLESS OTHERWISE SPECIFIED:	DWN R. GRZYBOWSKI 3NOV2011	CHY J. EARY 3NOV2011	APVD J. EARY 3NOV2011	NAME
mm	0 PLC ± 1 PLC ± 2 PLC ± 3 PLC ± 4 PLC ± ANGLES ±	PRODUCT SPEC	APPLICATION SPEC	WEIGHT	SIZE CAGE CODE DRAWING NO
MATERIAL	FINISH SEE TABLE	CUSTOMER DRAWING	SCALE 8:1	SHEET 1 OF 1	REV A

STE TE Connectivity

HEAD ASSEMBLY, 3 PAIR, 2.5mm TAIL, 25mm, HMZd

A100779C=1645617