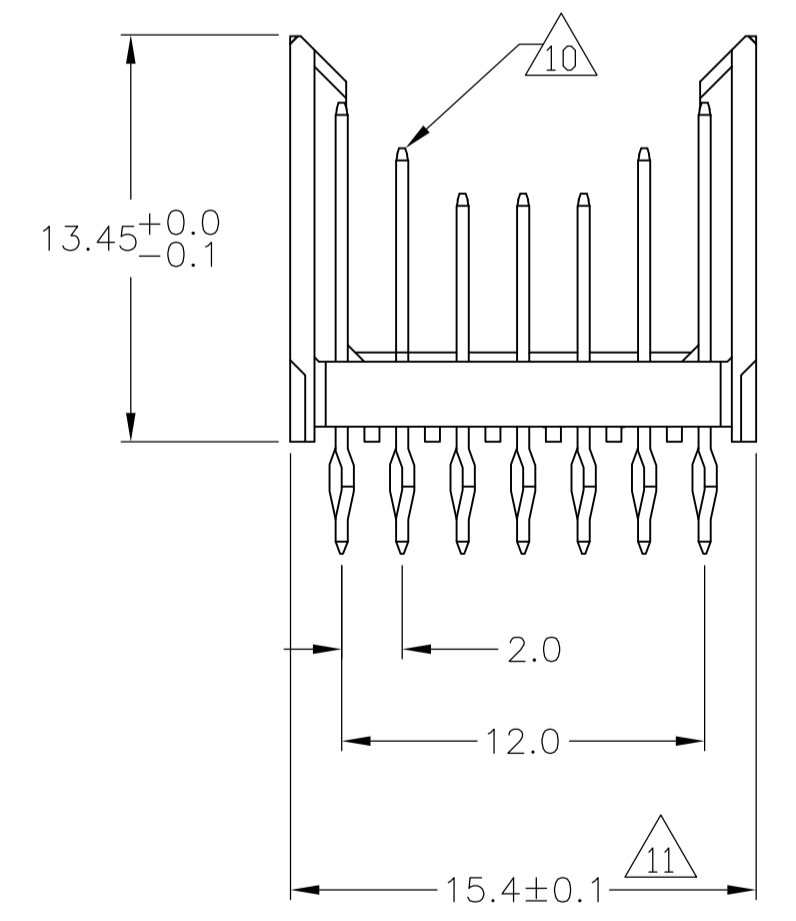
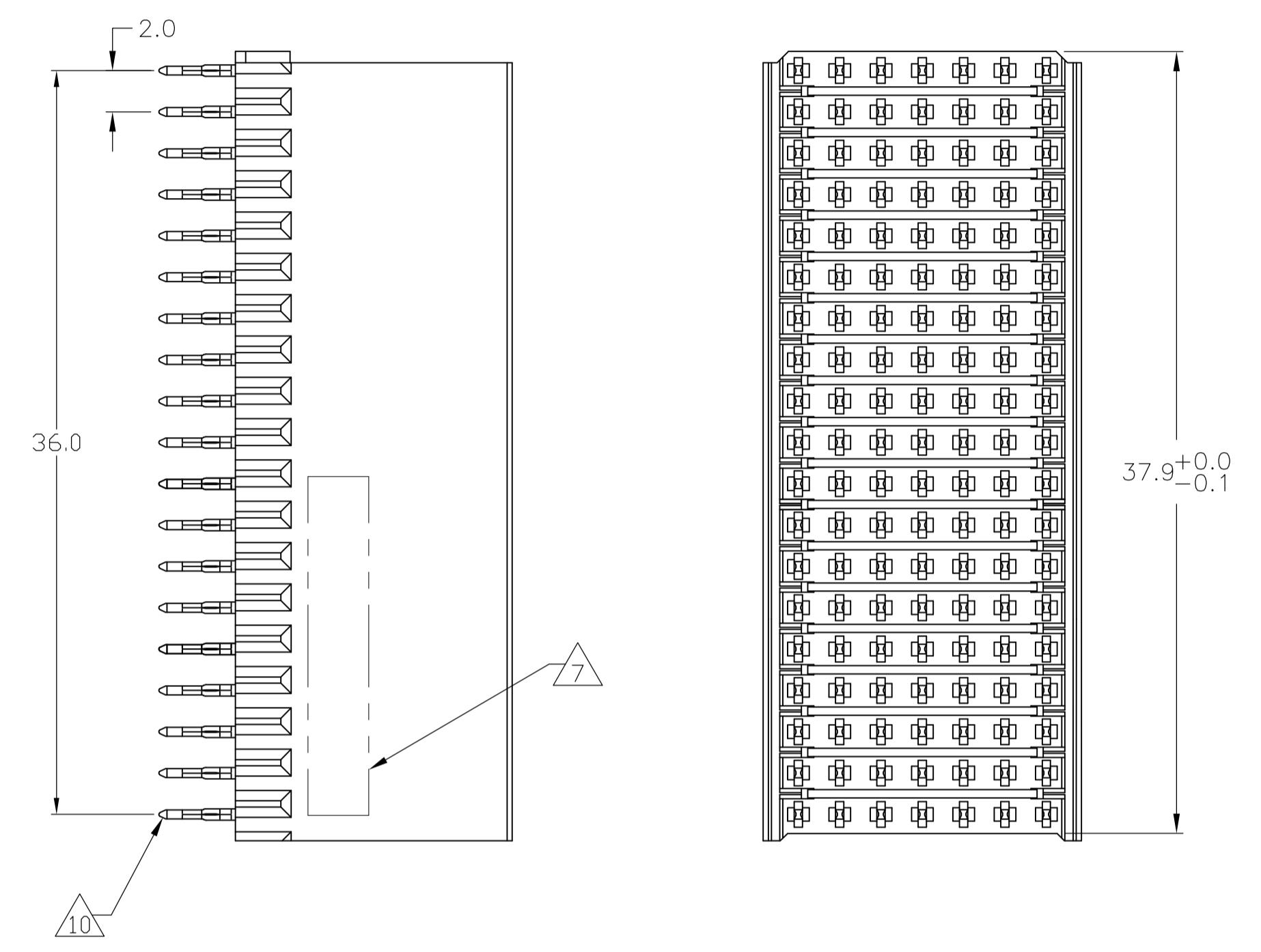
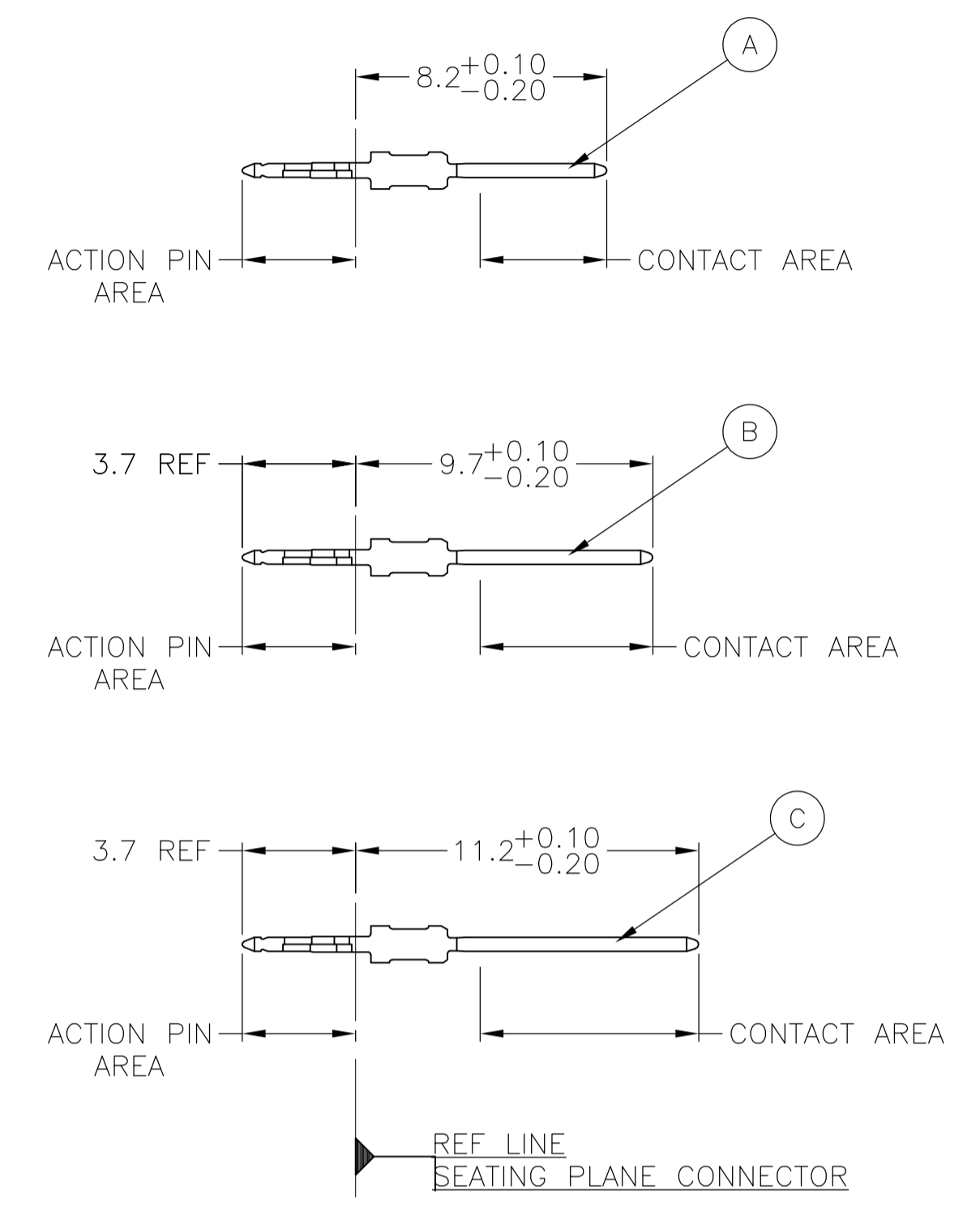


LOC		DIST		REVISIONS			
AD	00	REV	DATE	BY	CHK	APPV	
A		REVISED PER ECN 0512-0306-05	30MAY06	JDP	GES		
B		ECR-10-019054	15SEP10	DP	MQW		
C		ECR-12-010652	30NOV12	SY	AC		

### CONNECTOR ASSEMBLY EXAMPLARY LOADED 9



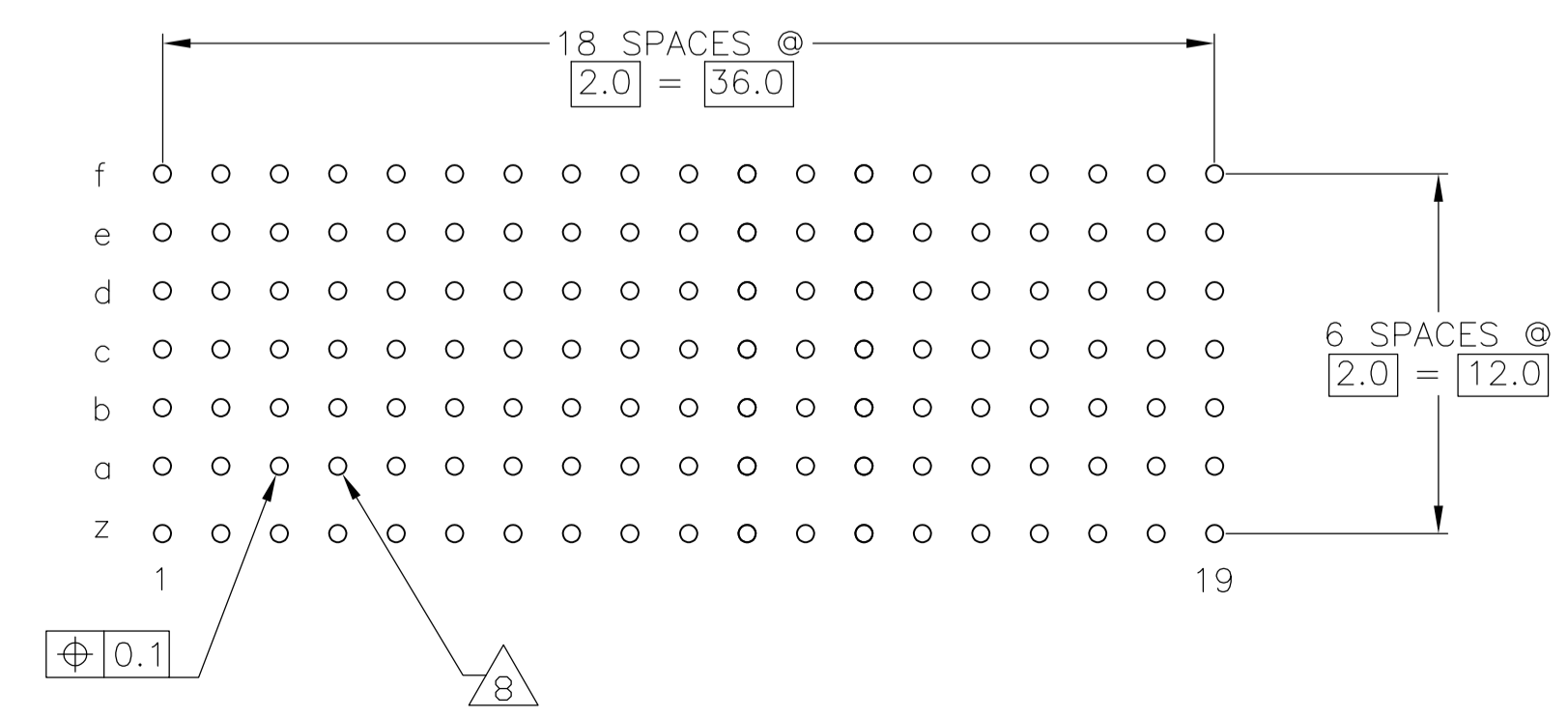
### CONTACT DIMENSIONS SCALE 5:1



### CONTACT LAYOUT

	z	a	b	c	d	e	f
1	C	B	A	A	A	B	C
2	C	B	A	A	A	B	C
3	C	B	A	A	A	B	C
4	C	B	A	A	A	B	C
5	C	B	A	A	A	B	C
6	C	B	A	A	A	B	C
7	C	B	A	A	A	B	C
8	C	B	A	A	A	B	C
9	C	B	A	A	A	B	C
10	C	B	A	A	A	B	C
11	C	B	A	A	A	B	C
12	C	B	A	A	A	B	C
13	C	B	A	A	A	B	C
14	C	B	A	A	A	B	C
15	C	B	A	A	A	B	C
16	C	B	A	A	A	B	C
17	C	B	A	A	A	B	C
18	C	B	A	A	A	B	C
19	C	B	A	A	A	B	C

### RECOMMENDED PCB-HOLE LAYOUT COMPONENT SIDE SHOWN



### PLATED THRU HOLES PARAMETERS REFERENCE APPLICATION SPECIFICATION


<span style="border: 1px solid black; padding: 2px;">2</span>	<span style="border: 1px solid black; padding: 2px;">6</span>	<span style="border: 1px solid black; padding: 2px;">12</span>	1-1645155-9
<span style="border: 1px solid black; padding: 2px;">2</span>	<span style="border: 1px solid black; padding: 2px;">5</span>	<span style="border: 1px solid black; padding: 2px;">12</span>	1645155-9
<span style="border: 1px solid black; padding: 2px;">2</span>	<span style="border: 1px solid black; padding: 2px;">4</span>	<span style="border: 1px solid black; padding: 2px;">12</span>	1645155-4
<span style="border: 1px solid black; padding: 2px;">2</span>	<span style="border: 1px solid black; padding: 2px;">3</span>	<span style="border: 1px solid black; padding: 2px;">12</span>	1645155-1
OBSOLETE			
FINISH			PART NUMBER

THIS DRAWING IS A CONTROLLED DOCUMENT.

DIMENSIONS: mm	TOLERANCES UNLESS OTHERWISE SPECIFIED:	DIN B CARBO 24MAY05	24MAY05	Tyco Electronics Corporation Harrisburg, Pa 17105-3608
0-PLC ±	1-PLC ±0.1	CHK G SKIPPER 24MAY05	24MAY05	NAME Tyco Electronics
2-PLC ±	3-PLC ±	APVD G SKIPPER 24MAY05	24MAY05	PRODUCT SPEC
4-PLC ±	ANGLES	108-19082		MALE ASSEMBLY, Z-PACK 2mm HM, TYPE B
MATERIAL <span style="border: 1px solid black; padding: 2px;">1</span>	FINISH SEE TABLE	APPLICATION SPEC	114-19029	RESTRICTED TO
		WEIGHT	A1 00779 C=1645155	SCALE 4:1 SHEET 1 OF 2 REV C
		CUSTOMER DRAWING		

LOC	DIST	REVISIONS			
P	LTR	DESCRIPTION	DATE	DN	APVD
AD	00	SEE SHEET 1	-	-	-

- 1 MATERIAL:  
CONTACT: PHOSPHOR BRONZE.  
HOUSING: GLASS-FILLED POLYESTER.
- 2 GENERAL PLATING SPECIFICATION: UNDERPLATING  
(ENTIRE CONTACT): 1.27µm MIN NICKEL AND ACTION  
PIN: 0.5µm MIN TIN/LEAD.  
FOR PLATING OF MATING SURFACES SEE APPLICABLE  
SPECIFICATION REFERENCE FOR EACH DASH NUMBER.
- 3 CONFORMS TO ALL TESTING ACCORDING TO IEC 61076-4-101  
PERFORMANCE LEVEL 2.
- 4 CONFORMS TO ALL TESTING ACCORDING TO IEC 61076-4-101  
PERFORMANCE LEVEL 1.
- 5 CONNECTOR TESTED AND QUALIFIED AGAINST TELCORDIA GR-1217-CORE QUALITY LEVEL 3,  
CENTRAL OFFICE APPLICATIONS.
- 6 CONNECTOR TESTED AND QUALIFIED AGAINST TELCORDIA GR-1217-CORE QUALITY LEVEL 3,  
UNCONTROLLED ENVIROMENT APPLICATIONS.
- 7 CONNECTOR MARKED WITH PART NUMBER AND DATE CODE.  
ADDITIONAL CHARACTERS OR MARKINGS, AS WELL AS THE LOCATION OF THE MARKINGS,  
MAY BE ADDED FOR TRACEABILITY BASED UPON MANUFACTURERS DISCRETION.
- 8 PLATED-THROUGH HOLES AT 2x2mm SQUARE GRID  
PATTERN DEFINED BY CONTACT LAYOUT.
- 9 FOR ACTUAL PIN LOADING SEE "CONTACT LAYOUT".
- 10 FOR ACTUAL PIN DIMENSIONS SEE "CONTACT DIMENSIONS".
- 11 TO BE MEASURED AT BOTTOM OF SHROUD.
- 12 CONNECTOR LUBRICATED WITH BELCORE APPROVED LUBRICANT,  
TECHNICAL REFERENCE: TR-NWT-001217 ISSUE 1, SEP 1992.

THIS DRAWING IS A CONTROLLED DOCUMENT.		DIN B CARBO	24MAY05	 Tyco Electronics Corporation Harrisburg, Pa 17105-3608	
		CHK G SKIPPER	24MAY05		
DIMENSIONS: mm		TOLERANCES UNLESS OTHERWISE SPECIFIED: 0-PLC ± 1-PLC ± 0.1 2-PLC ± 3-PLC ± 4-PLC ± ANGLES ±		APVD G SKIPPER 24MAY05 PRODUCT SPEC 108-19082 APPLICATION SPEC 114-19029	NAME MALE ASSEMBLY, Z-PACK 2mm HM, TYPE B
MATERIAL SEE SHEET 1	FINISH SEE SHEET 1	WEIGHT	—	SIZE A1 CAGE CODE 00779 DRAWING NO C=1645155	RESTRICTED TO —
CUSTOMER DRAWING		SCALE	4:1	SHEET 2 OF 2	REV C