

4

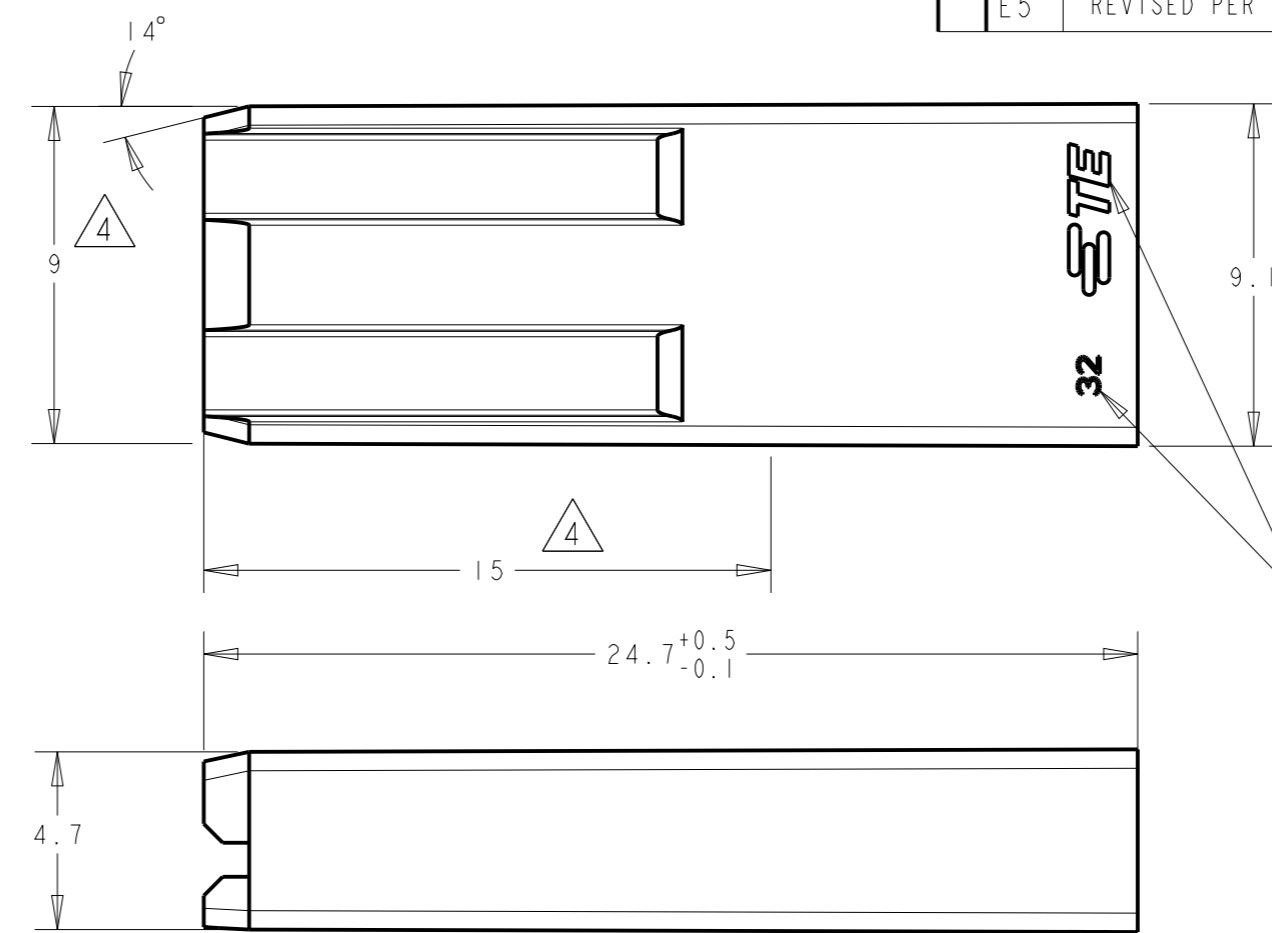
3

2

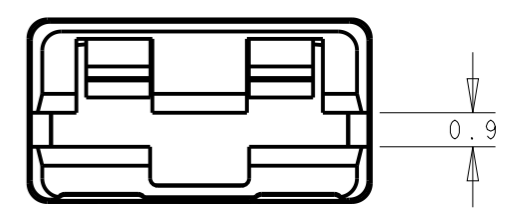
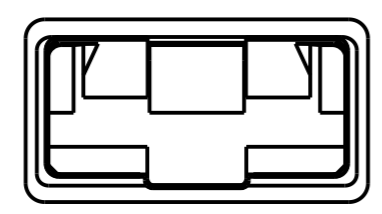
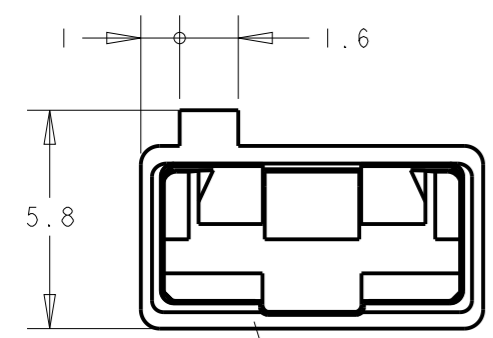
1

THIS DRAWING IS UNPUBLISHED. RELEASED FOR PUBLICATION 20
© COPYRIGHT 20 ALL RIGHTS RESERVED.

LOC	DIST	REVISIONS					
IR	2	P	LTR	DESCRIPTION	DATE	DWN	APVD
		E5		REVISED PER ECR-21-100829	10MAR2021	MK	EW

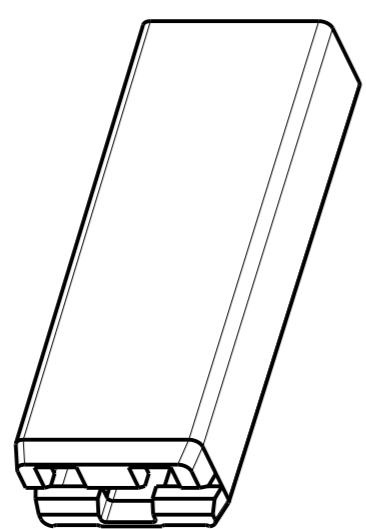
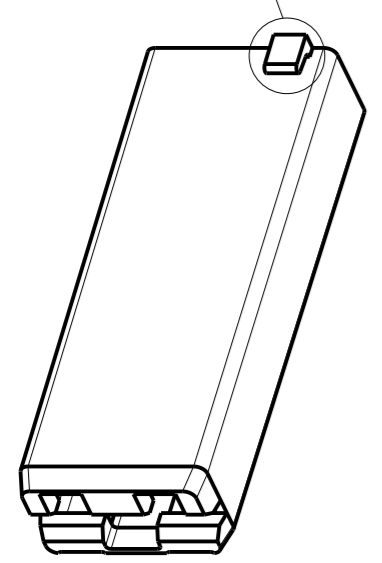


- 1 SUITABLE FOR TERMINAL 336074 336075, 336076 AND 1644008
- 2 TE LOGO, CAN BE PRESENT ON ONE OF THE INDICATED AREAS
- 3 CAVITY ID NUMBER, CAN BE PRESENT ON ONE OF THE INDICATED AREAS
- 4 9mm WIDTH ALONG 15mm.
- 5 P/N 2-1644125-6 IS A PRELIMINARY PART - NOT RELEASED FOR PRODUCTION



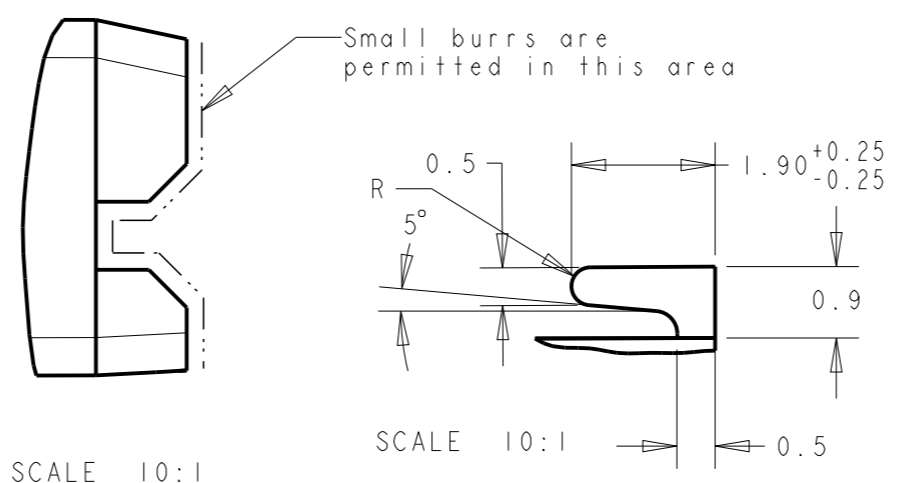
VERSION WITH POLARIZATION (SEE TABLE)

VERSION WITHOUT POLARIZATION (SEE TABLE)



SCALE 3:1

SCALE 3:1



SCALE 10:1

NO	BLACK	PA 6/6 V2	3-1644125-0
NO	NATURAL	PA 6/6 V2	2-1644125-9
NO	NATURAL	PA 66 V0 GWT 750°C WITHOUT FLAME	2-1644125-8
NO	BLUE	PA 6 V2 GWT 750°C WITHOUT FLAME	2-1644125-7
NO	NATURAL	PP V2 GWT 750°C WITHOUT FLAME	2-1644125-6
NO	NATURAL	PA 6 V2 GWT 750°C WITHOUT FLAME	2-1644125-5
YES	BLACK	PA6/6 V0 FOR HIGH TEMPERATURE	9-1644125-5
YES	DARK GREY	PA 6 V2 GWT 750°C WITHOUT FLAME	2-1644125-4
NO	BLACK	PA6/6 V0 FOR HIGH TEMPERATURE	9-1644125-4
NO	DARK GREY	PA 6 V2 GWT 750°C WITHOUT FLAME	2-1644125-3
POLARIZATION		COLOR	MATERIAL
			PN

THIS DRAWING IS A CONTROLLED DOCUMENT.	
DIMENSIONS: mm	TOLERANCES UNLESS OTHERWISE SPECIFIED:
	0 PLC ±0.2
	1 PLC ±0.2
	2 PLC ±0.2
	3 PLC ±0.2
	4 PLC ±0.2
	ANGLES ±°
MATERIAL SEE TABLE	FINISH -

DWN	J. Saló	31-Aug-04
CHK	L. Lázaro	1-Sep-04
APVD	-	-
PRODUCT SPEC	108-22149, 108-20336 (2--6) 108-22072 (9--4, 9--5)	
APPLICATION SPEC	114-22019	
WEIGHT	-	
Customer Drawing		

STE TE Connectivity			
NAME 6,35 E-SPRING SLEEVE PROTECCION PARA 6,35 E-SPRING			
SIZE	CAGE CODE	DRAWING NO	RESTRICTED TO
A3	00779	1644125	-
SCALE 3:1		SHEET 1 OF 1	REV E5