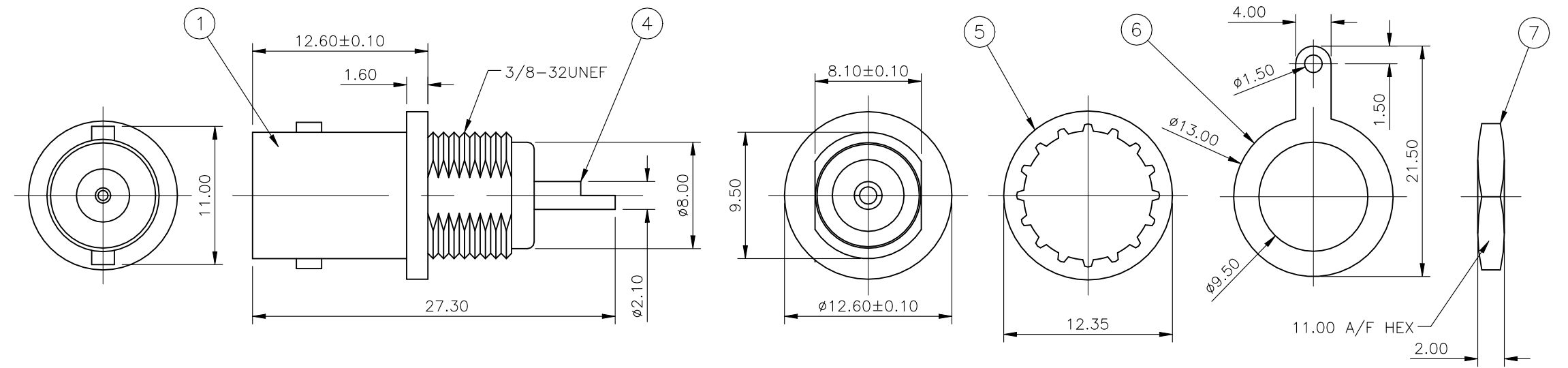
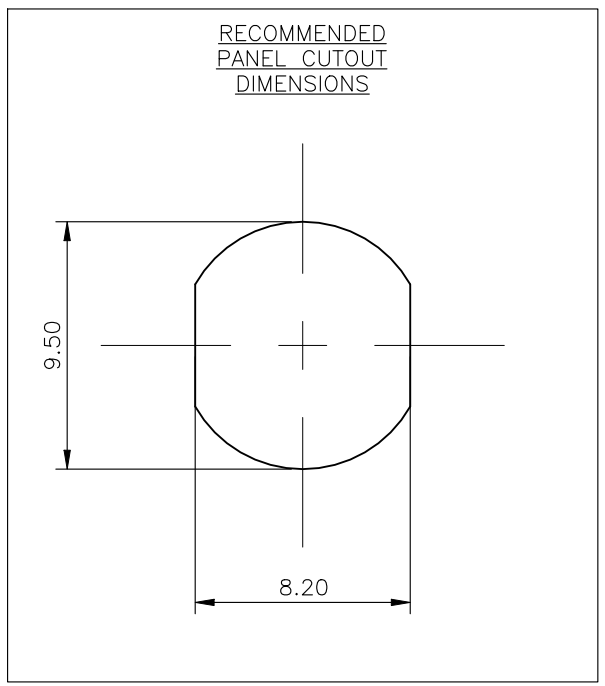
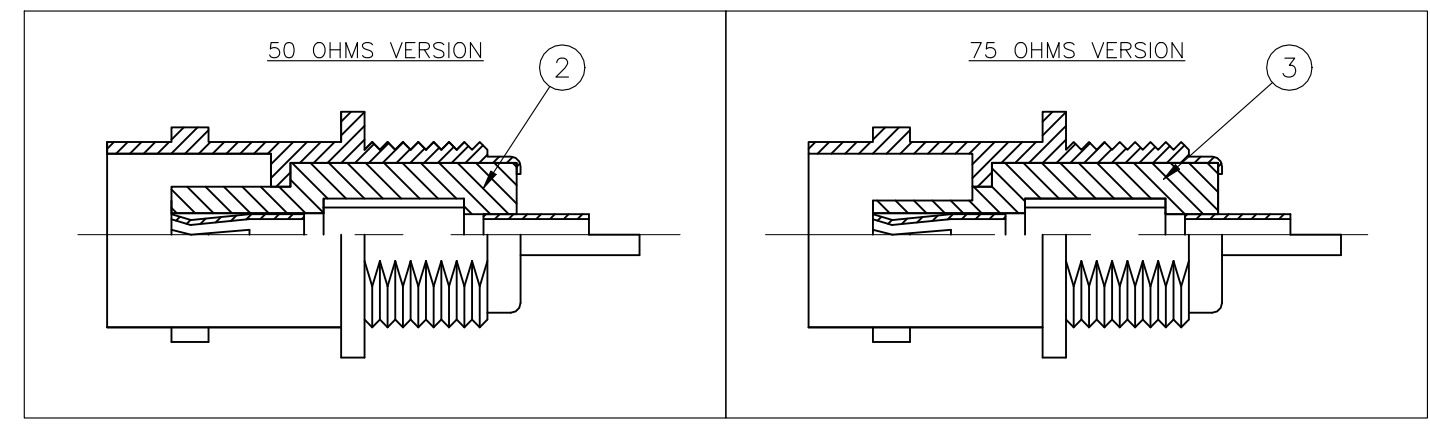


REVISIONS					
P	LTR	DESCRIPTION	DATE	DWN	APVD
	C1	REVISED PER ECN-21-105640	09JUN2021	RZ	WK



- NOTES**
- 1 100 TRAY PACK IN ACCORDANCE WITH AMP SPEC 107-3275
  - 2 SINGLE PACK IN ACCORDANCE WITH AMP SPEC 107-3275
  - 3 Au PLATING OVER Ni PLATING OVER Cu PLATING
  - 4 Ni PLATING OVER Cu PLATING
  - 5. FOR TECHNICAL DATA REFER TO YOUR LOCAL TE CONNECTIVITY SALES OFFICE
  - 6. ALL DIMENSIONS ARE NOMINAL FOR REFERENCE ONLY UNLESS OTHERWISE STATED



	Obsolete	Obsolete	Obsolete							
	1	1	1	1	BRASS	△	HEX NUT	7		
	1	1	1	1	STEEL	△	SOLDER TAG	6		
	1	1	1	1	STEEL	△	LOCK WASHER	5		
	1	1	1	1	PHOS BRONZE	△	CONTACT	4		
	1	1	-	-	POLYMETHYLPENTENE		INSULATOR	3		
	-	-	1	1	POLYMETHYLPENTENE		INSULATOR	2		
	1	1	-	-	ZINC ALLOY	△	BODY	1		
	5--3	5--2	5--1	5--0	MATERIAL		DESCRIPTION	ITEM		
	△	△	△	△						
QUANTITY PER ASSY				PARTS LIST						

THIS DRAWING IS A CONTROLLED DOCUMENT.		DWN RITA ZUO 14 Feb 09	 TE Connectivity <b>BNC BULKHEAD SOCKET FRONT MOUNT WITH SOLDER TAG</b>											
DIMENSIONS: mm		CHK ANSON MA 14 Feb 09												
TOLERANCES UNLESS OTHERWISE SPECIFIED:		APVD BOB ZHAO 14 Feb 09												
<table border="1"> <tr><td>0 PLC</td><td>± 0.5</td></tr> <tr><td>1 PLC</td><td>± 0.3</td></tr> <tr><td>2 PLC</td><td>± 0.2</td></tr> <tr><td>3 PLC</td><td>± -</td></tr> <tr><td>4 PLC</td><td>± -</td></tr> <tr><td>ANGLES</td><td>± -</td></tr> </table>		0 PLC				± 0.5	1 PLC	± 0.3	2 PLC	± 0.2	3 PLC	± -	4 PLC	± -
0 PLC	± 0.5													
1 PLC	± 0.3													
2 PLC	± 0.2													
3 PLC	± -													
4 PLC	± -													
ANGLES	± -													
MATERIAL SEE TABLE		FINISH -	PRODUCT SPEC 108-112000	SIZE	CAGE CODE	DRAWING NO	RESTRICTED TO							
			APPLICATION SPEC -	WEIGHT 0.000000	A300779	C-1634523	-							
CUSTOMER DRAWING			SCALE NTS	SHEET 1 OF 1	REV C1									