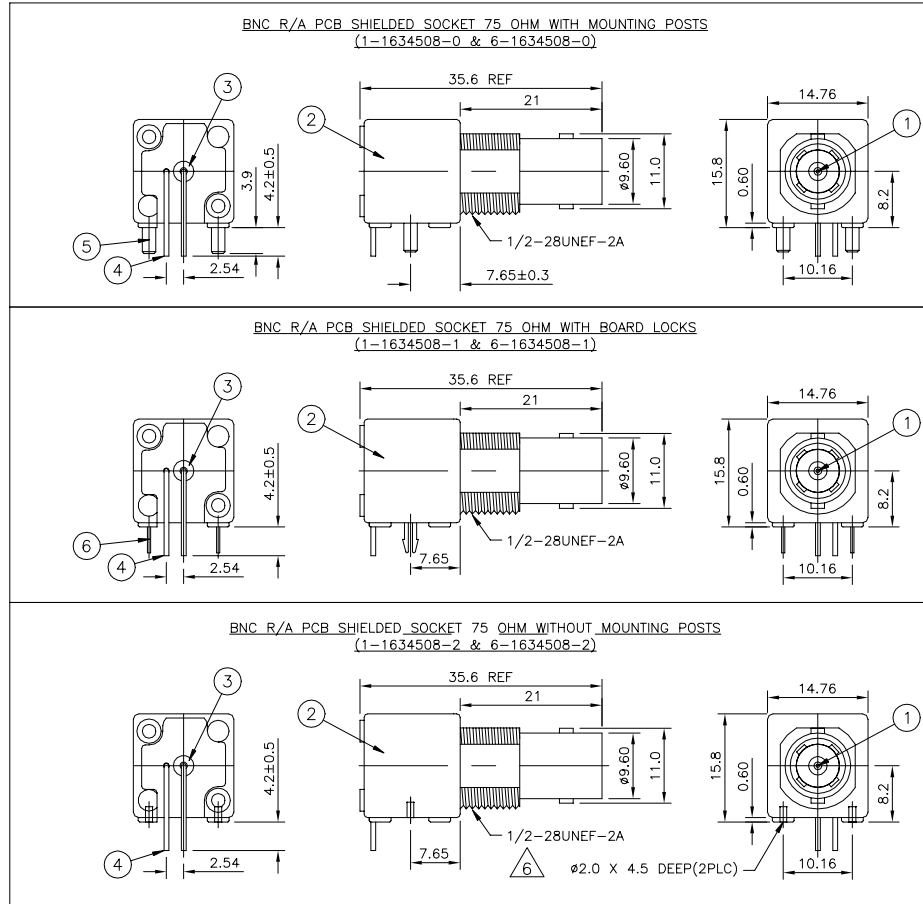
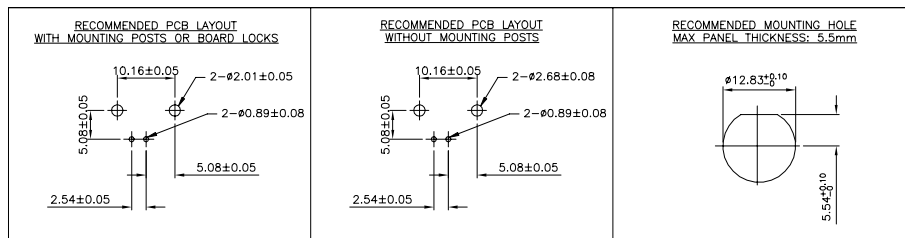
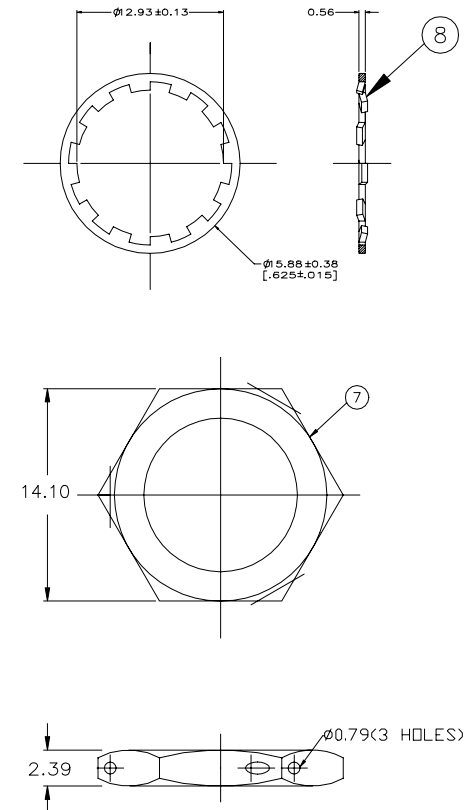


NOTES:

- ▲ SINGLE PACK IN ACCORDANCE WITH AMP SPEC 107-3275
- ▲ 50 TRAY PACK IN ACCORDANCE WITH AMP SPEC 107-3275
- ▲ Au PLATING OVER Ni PLATING OVER Cu PLATING
- ▲ Ni PLATING OVER Cu PLATING
- ▲ TIN PLATING
- ▲ RECOMMENDED SELF-TAPPING SCREW 221108-4
- 7. RECOMMENDED MOUNT NUT 1-1634816-0
- 8. RECOMMENDED LOCKWASHER 1-1634817-0
- 9. FOR TECHNICAL DATA REFER TO YOUR LOCAL TE CONNECTIVITY SALES OFFICE
- 10. ALL DIMENSIONS ARE NOMINAL FOR REFERENCE ONLY UNLESS OTHERWISE STATED



REVISIONS					
P	LTR	DESCRIPTION	DATE	OWN	APVD
D3		REVISED PER ECN-21-112955	17AUG2021	RZ	WK



QTY	Obs/	Obs/	Obs/	Obs/	Obs/	MATERIAL	DESCRIPTION	ITEM
1	-	-	-	-	-	BRONZE	▲ WASHER	8
1	-	-	-	-	-	BRASS	▲ NUT	7
-	-	2	2	-	-	BRASS	▲ BOARD LOCK	6
2	-	-	-	2	2	BRASS	▲ MOUNTING POST	5
1	1	1	1	1	1	BRASS	▲ SOLDER TAIL	4
1	1	1	1	1	1	PE-606	INSULATOR	3
1	1	1	1	1	1	ZINC ALLOY	▲ BODY	2
1	1	1	1	1	1	BRASS	▲ CONTACT	1
2-0	6-2	1-2	6-1	1-1	6-0	1-0		

THIS DRAWING IS A CONTROLLED DOCUMENT.

APVD RITA ZUO 06 Mar 09	CHK ANSON MA 06 Mar 09	NAME BOB_ZHAO 06 Mar 09	PRODUCT SPEC 108-112000	APPLICATION SPEC	SIZE A2	CAGE CODE 00779	DRAWING NO C=1634508	RESTRICTED TO
DIMENSIONS: mm		TOLERANCES UNLESS OTHERWISE SPECIFIED:		WEIGHT 0.000000		SCALE NTS		SHEET 1 of 1
MATERIAL SEE TABLE		FINISH SEE TABLE		CUSTOMER DRAWING		REV D3		

**TE** TE Connectivity

BNC R/A PCB SHIELDED SOCKET 75 OHM