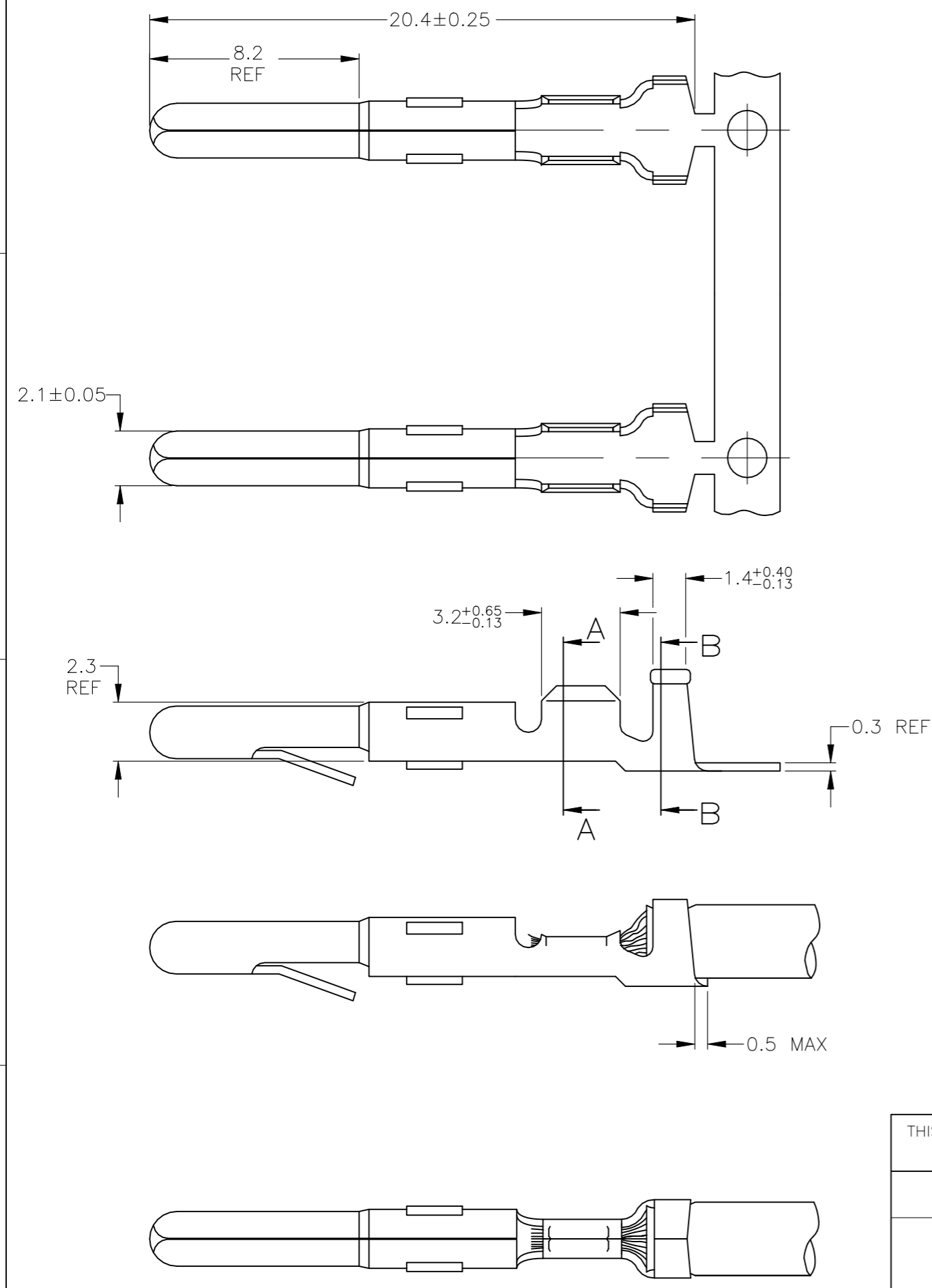
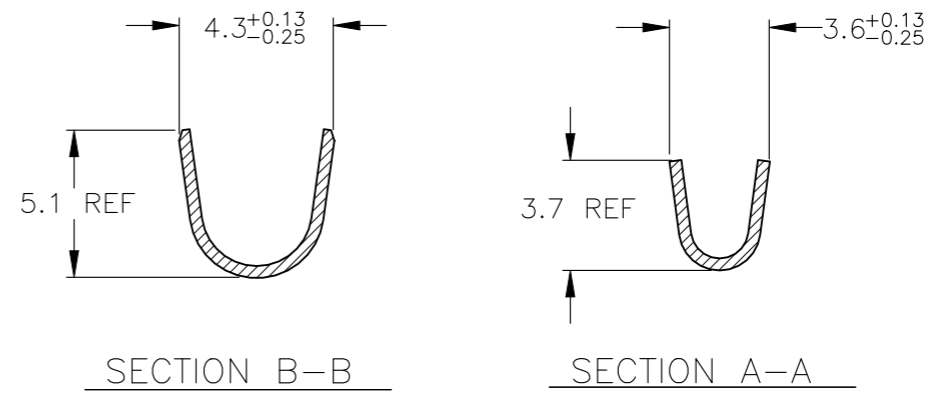


THIS DRAWING IS UNPUBLISHED. RELEASED FOR PUBLICATION  
 © COPYRIGHT - By - ALL RIGHTS RESERVED.

REVISIONS					
P	LTR	DESCRIPTION	DATE	DWN	APVD
F3		REVISED PER ECR-18-008156	21JUN2018	JB	DZ
F4		REVISED PER ECR-21-101087	02JUL2021	SS	WLS
F5		REVISED PER ECN-23-195825	02FEB2023	WLS	VS



△1 FOR USE ON STANDARD APPLICATORS.(RIGHT-LEFT FEED)  
 △2 FOR USE ON MINIATURE APPLICATORS.(LEFT-RIGHT FEED)



WIRE RANGE :  
1.0-2.5mm<sup>2</sup> AWG  
 INSULATION RANGE  
2.6-3.8mm DIA

OBSOLETE	△2	GOLD	BRASS	<del>1-163303-0</del>
OBSOLETE	△1	GOLD	PHOSPHOR BR.	<del>163303-9</del>
	△2	PRE-TINPLATED	PHOSPHOR BR.	163303-8
OBSOLETE	△2	UNPLATED	PHOSPHOR BR.	<del>163303-7</del>
	△2	PRE-TINPLATED	BRASS	163303-6
OBSOLETE	△2	UNPLATED	BRASS	<del>163303-5</del>
OBSOLETE	△1	PRE-TINPLATED	PHOSPHOR BR.	<del>163303-4</del>
OBSOLETE	△1	UNPLATED	PHOSPHOR BR.	<del>163303-3</del>
OBSOLETE	△1	PRE-TINPLATED	BRASS	<del>163303-2</del>
OBSOLETE	△1	UNPLATED	BRASS	<del>163303-1</del>
		PLATING	PLATING	MATERIAL
				PART NUMBER

THIS DRAWING IS A CONTROLLED DOCUMENT.

DIMENSIONS: mm	TOLERANCES UNLESS OTHERWISE SPECIFIED:	DWN J.v.LIEMPT 24 OCT 96	<b>STE</b> TE Connectivity		
	0 PLC ± - 1 PLC ± - 2 PLC ± - 3 PLC ± - 4 PLC ± - ANGLES ± -	CHK A.BIJNEN.			
MATERIAL	FINISH	APVD M.v.DRIEL	NAME		
		PRODUCT SPEC	PIN MATE-N-LOK.		
		APPLICATION SPEC	SIZE	CAGE CODE	DRAWING NO
		WEIGHT	A3	00779	C-163303
		CUSTOMER DRAWING	RESTRICTED TO	SCALE	SHEET
				-	1 OF 1
					REV F5