

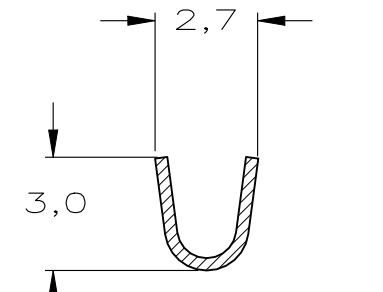
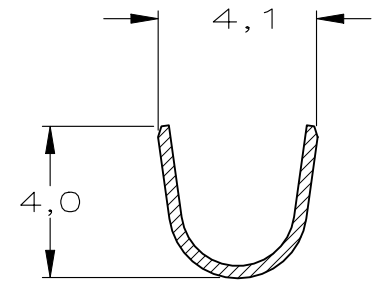
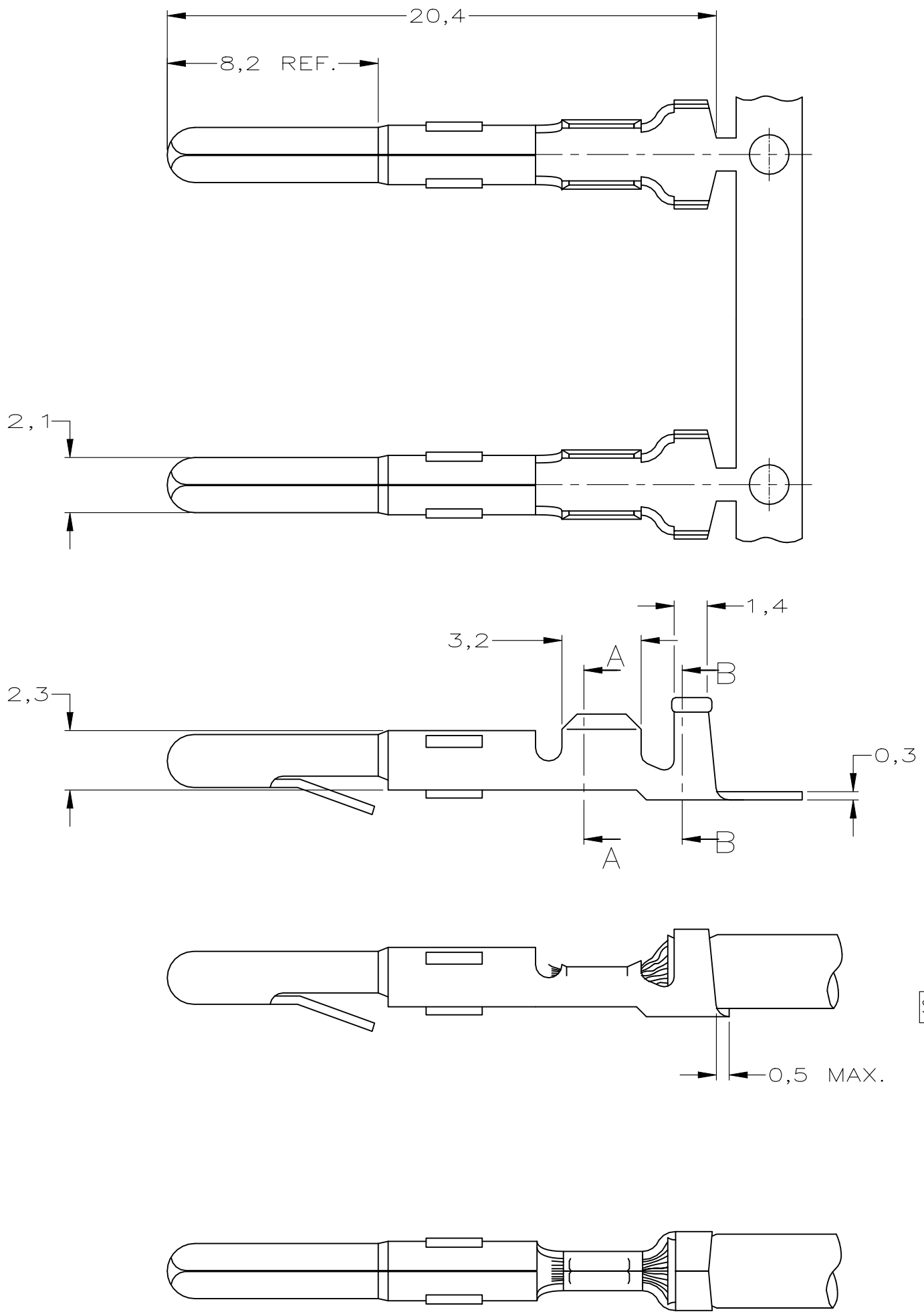
DO NOT SCALE
DIMENSIONS IN mm

METRIC

THIRD ANGLE
PROJECTION

NOTES:

- ① FOR USE ON STANDARD APPLICATORS.(RIGHT-LEFT FEED)
- ② FOR USE ON MINIATURE APPLICATORS.(LEFT-RIGHT FEED)
- ③ FOR USE ON MINIATURE APPLICATORS,
AMP O-MATOR APPLICATION.(LEFT-RIGHT FEED)
- ④ OBSOLETE PARTS: OBSOLETE CIS STREAMLINING PER D.RENAUD/D.SINISI



WIRE RANGE :
0,5-1,0mm² AWG
INSULATION RANGE :
1,8-3,3mm DIA.

		PLATING	PLATING	MATERIAL	PARTNUMBER
OBSOLETE	②	SEL. GOLD	-	-	8-163301-3
④	③ ①		BRASS		1-163301-7
OBSOLETE	②	NICKEL	BRASS		1-163301-2
OBSOLETE	①	NICKEL	BRASS		1-163301-1
④	②	PRE-TINPLATED	PHOSPHOR BR.		163301-8
OBSOLETE	②	UNPLATED	PHOSPHOR BR.		163301-7
④	②	PRE-TINPLATED	BRASS		163301-6
OBSOLETE	②	UNPLATED	BRASS		163301-5
OBSOLETE	①	PRE-TINPLATED	PHOSPHOR BR.		163301-4
OBSOLETE	①	UNPLATED	PHOSPHOR BR.		163301-3
SUP BY 163301-6	①	PRE-TINPLATED	BRASS		163301-2
OBSOLETE	①	UNPLATED	BRASS		163301-1

<p>CUSTOMER DRAWING FOR REFERENCE ONLY WILL NOT BE UPDATED</p> <p>© COPYRIGHT 19 - BY -</p> <p>ALL INTERNATIONAL RIGHTS RESERVED.</p> <p>THIS DRAWING IS UNPUBLISHED RELEASED FOR PUBLICATION ,19</p> <p>TE TE Connectivity</p> <p>NAME PIN MATE-N-LOK.</p>					DR.: J.V.D.HEIJDEN.	CHK.: A.BIJNEN.	APP.: L.V.SOEST.	DWG.No.	REV.LTR.	SHEET							
					DATE: 10-04-92	DATE: -	DATE: -	C-163301	K3	1 OF 1							
										8	7	6	5	4	3	2	1
										8	7	6	5	4	3	2	1