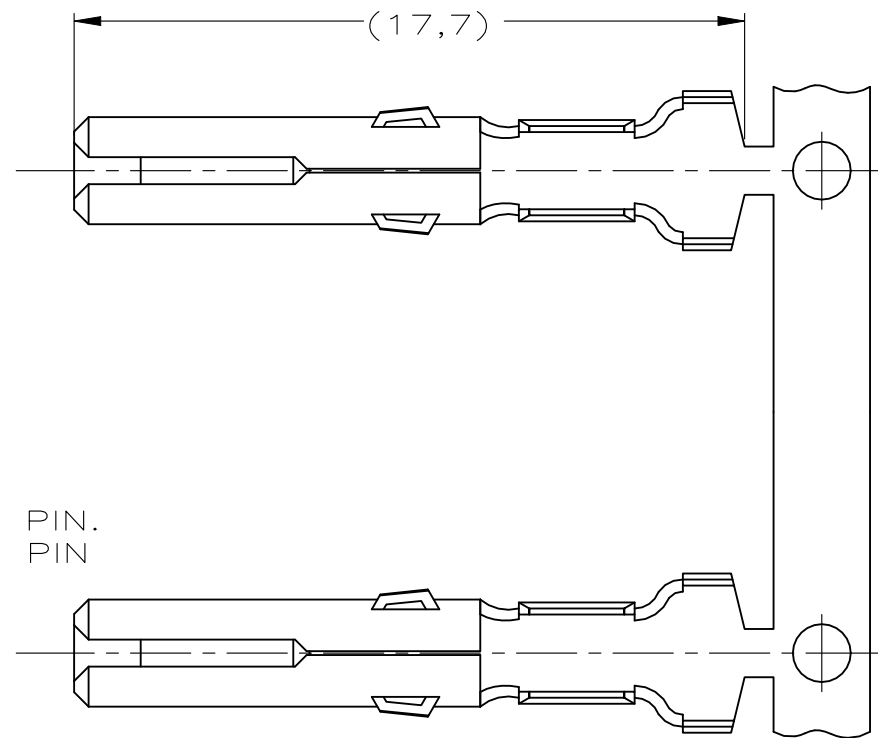
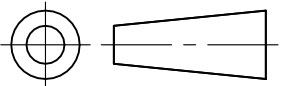


DO NOT SCALE
DIMENSIONS IN mm

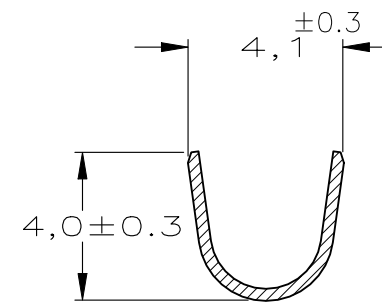
METRIC

THIRD ANGLE
PROJECTION

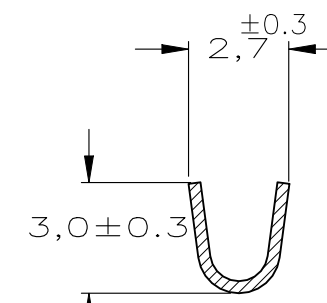


NOTES:

- ① FOR USE ON STANDARD APPLICATORS.(RIGHT-LEFT FEED)
- ② FOR USE ON MINIATURE APPLICATORS.(LEFT-RIGHT FEED)
- ③ FOR USE ON MINIATURE APPLICATORS, AMP O-MATOR APPLICATION.(LEFT-RIGHT FEED)
- ④ OBSOLETE PARTS: OBSOLETE CIS STREAMLINING PER D.RENAUD/D.SINISI

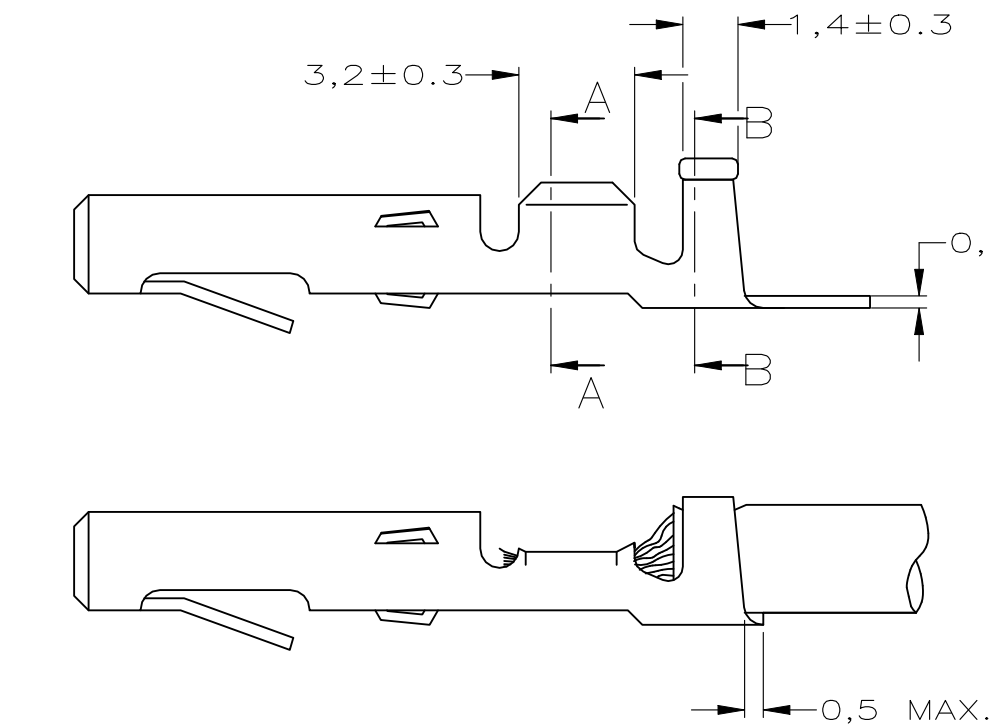


SECTION B-B



SECTION A-A

WIRE RANGE :
0,5-1,0mm² AWG
INSULATION RANGE :
1,8-3,3mm DIA.



			PLATING	PLATING	MATERIAL	PARTNUMBER
④	OBSOLETE	②	SEL. GOLD		BRASS	8-163300-1
	OBSOLETE	③	PRE-TINPLATED		BRASS	1-163300-5
		②	PRE-TINPLATED		PHOSPHOR BR.	163300-8
	OBSOLETE	②	UNPLATED		PHOSPHOR BR.	163300-7
		②	PRE-TINPLATED		BRASS	163300-6
	OBSOLETE	②	UNPLATED		BRASS	163300-5
④	OBSOLETE	①	PRE-TINPLATED		PHOSPHOR BR.	163300-4
	OBSOLETE	①	UNPLATED		PHOSPHOR BR.	163300-3
		①	PRE-TINPLATED		BRASS	163300-2
	OBSOLETE	①	UNPLATED		BRASS	163300-1

—					CUSTOMER DRAWING		FOR REFERENCE ONLY WILL NOT BE UPDATED		
—					©		COPYRIGHT - BY		
—							ALL INTERNATIONAL RIGHTS RESERVED.		
—							THIS DRAWING IS UNPUBLISHED RELEASED FOR PUBLICATION		
J5	REVISED PER ECN 23-195825	WLS	VS	30JAN2023					
J4	REVISED PER ECR-21-111103	PJ	VS	18AUG2021					
J3	REVISED PER ECR-21-101087	PJ	VS	11MAY2021					
J2	REVISED PER ECO-11-005294	RK	HMR	13APR11					
LTR.	REVISION RECORD	DR.	CHK.	DATE					
DR.: J.V.D.HEIJDEN.		CHK.: A.BIJNEN.		APP.: L.V.SOEST.		DWG.No.		REV.LTR.	SHEET
DATE: 10-04-92		DATE: -		DATE: -		163300		J5	1 OF 1