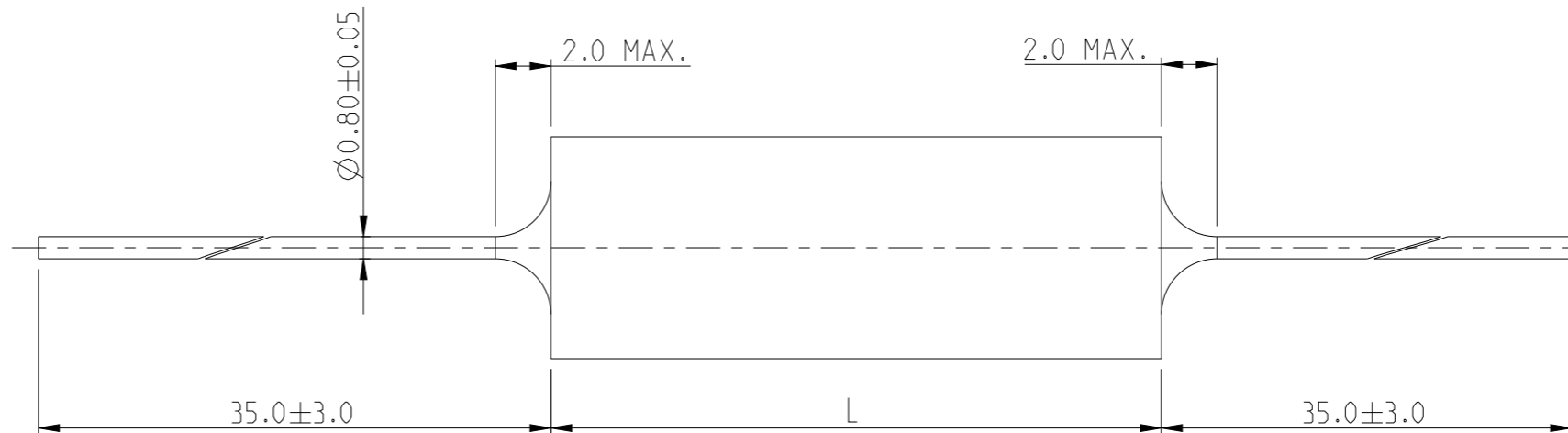
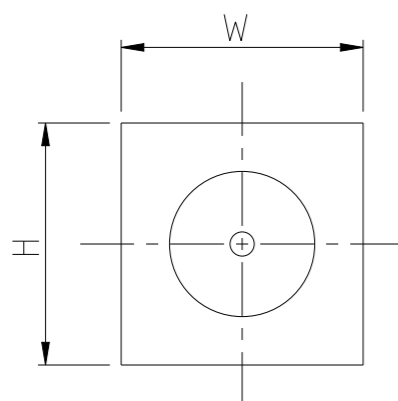


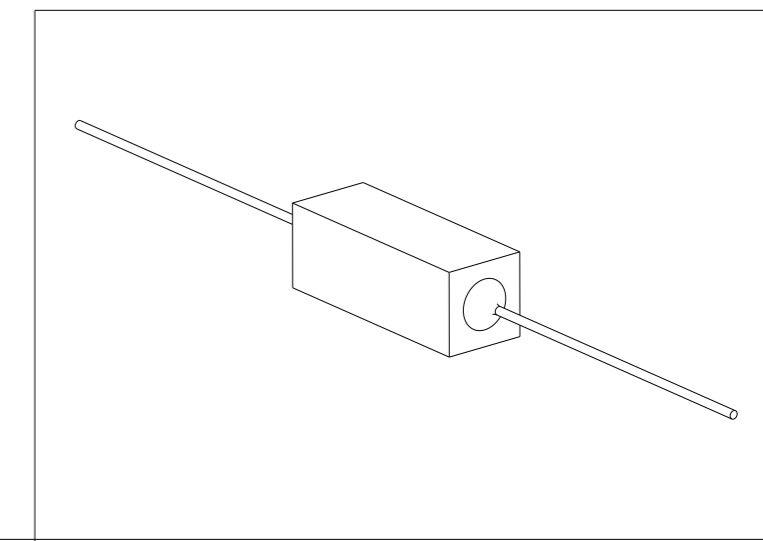
P	LTR	DESCRIPTION	DATE	DWN	APVD
	BA	NEW RELEASE	28-JUL-09	SM	St.P
	BA1	BURR DIMENSION ADDED	18FEB2025	RS	SSR

FOR FURTHER INFORMATION SEE DATA SHEET FOR SERIES FSQ- HIGH POWER RESISTORS (FUSIBLE)



7W	35.0	9.0	10.0
5W	22.0	9.0	10.0
3W	22.0	8.0	8.0
RATED POWER	L±1.5	H±0.5	W±1.0

RoHS Compliant



THIS DRAWING IS A CONTROLLED DOCUMENT.		DWN SUBHASH.M 28-JUL-09					
DIMENSIONS: mm		CHK ALLAN.P 28-JUL-09					
TOLERANCES UNLESS OTHERWISE SPECIFIED:		APVD STEPHEN.P 28-JUL-09					
		PRODUCT SPEC -	NAME HIGH POWER RESISTORS (FUSIBLE) SERIES FSQ				
MATERIAL -		FINISH -	APPLICATION SPEC -	SIZE A3	CAGE CODE 00779	DRAWING NO C=1630880	RESTRICTED TO -
CUSTOMER DRAWING			SCALE 4:1	SHEET 1 OF 1	REV BA1		