

P	LTR	DESCRIPTION	DATE	DWN	APVD
B2		REVISED PER ECO-11-005150	29MAR2011	RK	HMR
W		ECR-16-00373	12MAR2016	KR	TN
W1		NEW PN 6-1630019-5 ADDED	17DEC2024	RS	SSR

LASER MARKING: TE LOGO PN VALUE
TOLERANCE & DATE CODE

5.6 MIN

6 HOLES Ø5.3

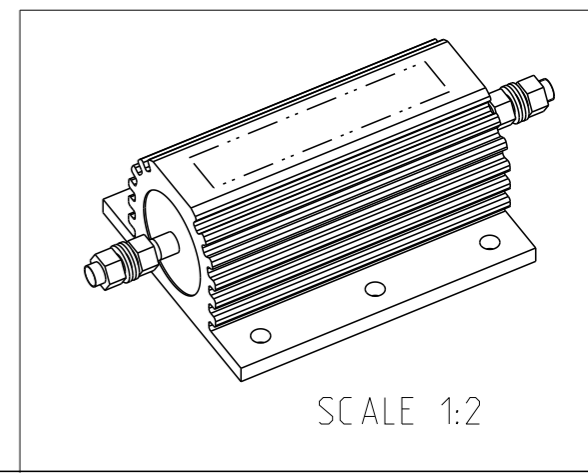
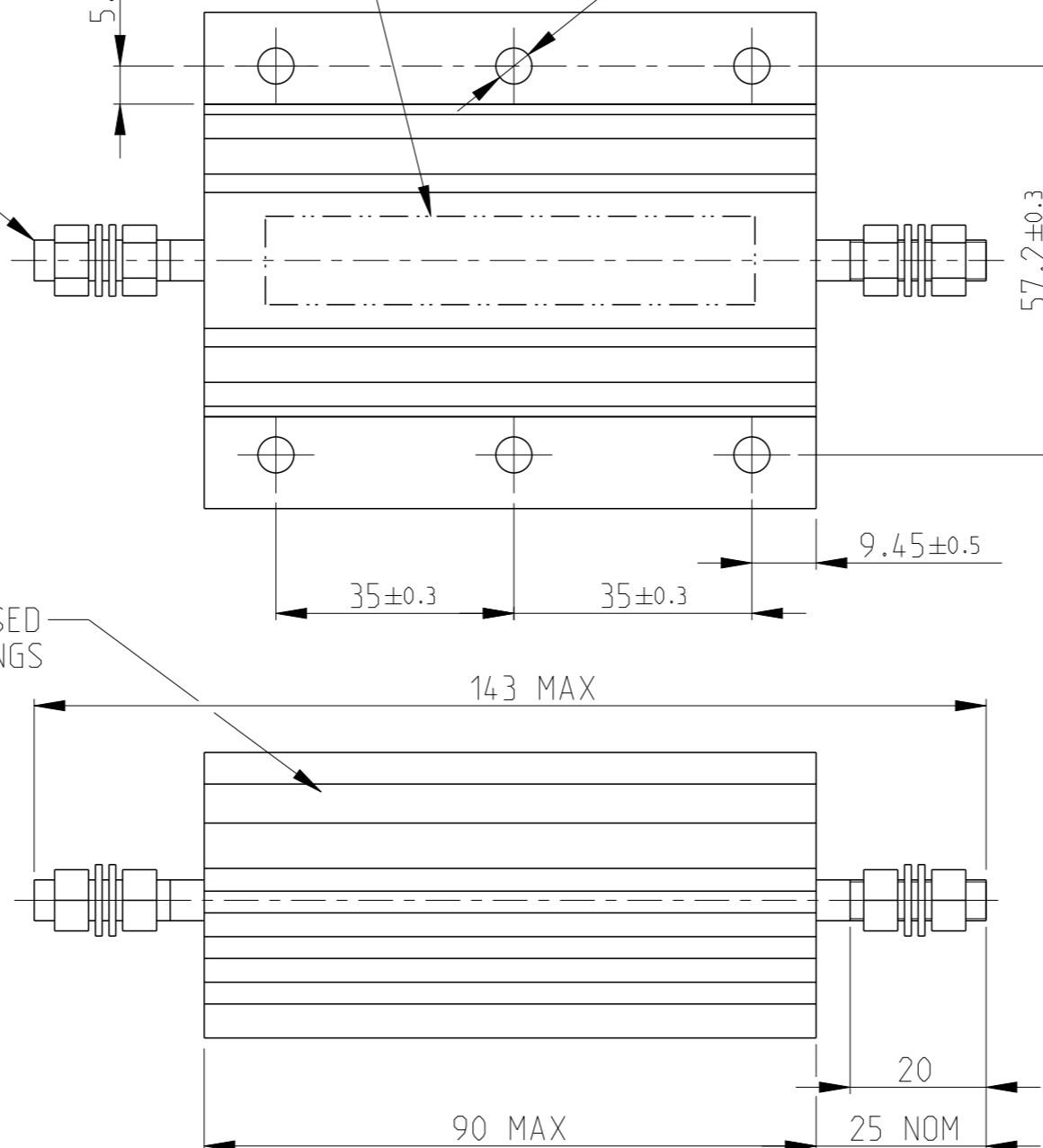
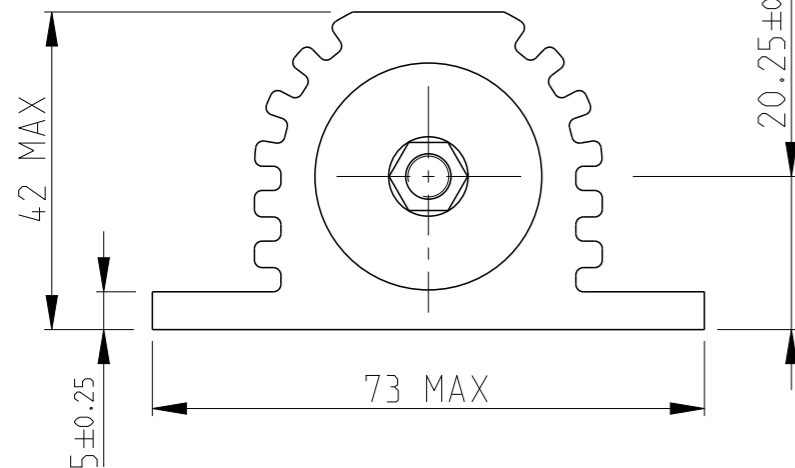
M6 ST/STEEL TERMINAL STUDS.
EACH SUPPLIED WITH:-
2 OFF M6 ST/STEEL FULL NUTS
2 OFF M6/STEEL PLAN WASHERS


- 1 FOR FURTHER INFORMATION SEE DATA SHEET FOR HS SERIES-ALUMINIUM HOUSED RESISTORS
- 2 FOR A SPECIFIC PN FOR A RESISTANCE VALUE AND TOLERANCE, PLEASE REFER TO DMF

GOLD ANODISED
ALUMINIUM HOUSINGS

HSC200
ALUMINIUM HOUSED
POWER RESISTOR

RoHS Compliant



THIS DRAWING IS A CONTROLLED DOCUMENT.		DWN L LUONG 10.MAR.03	 TE Connectivity	
DIMENSIONS: mm		CHK J CATCHPOLE 10.MAR.03		
TOLERANCES UNLESS OTHERWISE SPECIFIED:		APVD J CATCHPOLE 10.MAR.03	NAME HSC200 ALUMINIUM HOUSED POWER RESISTOR	
0 PLC ±0.5 1 PLC ±0.2 2 PLC ±0.1 3 PLC ± 4 PLC ± ANGLES ±5°		PRODUCT SPEC -	RESTRICTED TO -	
MATERIAL -		FINISH -	APPLICATION SPEC -	SIZE A3
		WEIGHT -	WEIGHT -	CAGE CODE 00779
				DRAWING NO C-1630019
CUSTOMER DRAWING			SCALE 1:1	SHEET 1 OF 2
				REV W1

REVISIONS


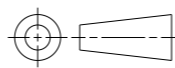
P	LTR	DESCRIPTION	DATE	DWN	APVD
	-	SEE SHEET 1	-	-	-

SCHEDULE

TCPN	CATALOGUE NUMBER	PART DESCRIPTION	PART STATUS
0-1630019-1	HSC 200100RJ	HSC 200 100R 5%	PRODUCTION
0-1630019-2	HSC 20010RJ	HSC 200 10R 5%	PRODUCTION
0-1630019-3	HSC 20012KJ	HSC 200 12K 5%	PRODUCTION
0-1630019-4	HSC 20012RJ	HSC 200 12R 5%	PRODUCTION
0-1630019-5	HSC 20012RK	HSC 200 12R 10%	PRODUCTION
0-1630019-6	HSC 200150RJ	HSC 200 150R 5%	PRODUCTION
0-1630019-7	HSC 200180RJ	HSC 200 180R 5%	PRODUCTION
0-1630019-8	HSC 2001K0J	HSC 200 1K0 5%	PRODUCTION
0-1630019-9	HSC 2001K5J	HSC 200 1K5 5%	PRODUCTION
1-1630019-0	HSC 2001R0J	HSC 200 1R0 5%	PRODUCTION
1-1630019-1	HSC 20020KJ	HSC 200 20K 5%	PRODUCTION
1-1630019-2	HSC 200220RJ	HSC 200 220R 5%	PRODUCTION
1-1630019-3	HSC 20022RJ	HSC 200 22R 5%	PRODUCTION
1-1630019-4	HSC 2002K4J	HSC 200 2K4 5%	PRODUCTION
1-1630019-5	HSC 2002R0J	HSC 200 2R0 5%	PRODUCTION
1-1630019-6	HSC 2002R2J	HSC 200 2R2 5%	PRODUCTION
1-1630019-7	HSC 200330RJ	HSC 200 330R 5%	PRODUCTION
1-1630019-8	HSC 2003K3J	HSC 200 3K3 5%	PRODUCTION
1-1630019-9	HSC 2003R3J	HSC 200 3R3 5%	PRODUCTION
2-1630019-0	HSC 20040RJ	HSC 200 40R 5%	PRODUCTION
2-1630019-1	HSC 200470RJ	HSC 200 470R 5%	PRODUCTION
2-1630019-2	HSC 20047RJ	HSC 200 47R 5%	PRODUCTION
2-1630019-3	HSC 20050KJ	HSC 200 50K 5%	PRODUCTION
2-1630019-4	HSC 20056RJ	HSC 200 56R 5%	PRODUCTION
2-1630019-5	HSC 20064RJ	HSC 200 64R 5%	PRODUCTION
2-1630019-6	HSC 2006R8J	HSC 200 6R8 5%	PRODUCTION
2-1630019-7	HSC 200R10J	HSC 200 R10 5%	PRODUCTION
2-1630019-8	HSC 200R47J	HSC 200 R47 5%	PRODUCTION
2-1630019-9	HSC 200127RJ	HSC 200 127R 5%	PRODUCTION
3-1630019-0	HSC 20015KJ	HSC 200 15K 5%	PRODUCTION
3-1630019-1	HSC 2001K8J	HSC 200 1K8 5%	PRODUCTION
3-1630019-2	HSC 2002R7J	HSC 200 2R7 5%	PRODUCTION
3-1630019-3	HSC 2006R0J	HSC 200 6R0 5%	PRODUCTION

SCHEDULE

TCPN	CATALOGUE NUMBER	PART DESCRIPTION	PART STATUS
3-1630019-4	HSC 200R13J	HSC 200 R13 5%	PRODUCTION
3-1630019-5	HSC 200R261J	HSC 200 R261 5%	PRODUCTION
3-1630019-6	HSC 2004R7J	HSC 200 4R7 5%	PRODUCTION
3-1630019-7	HSC 20082RJ	HSC 200 82R 5%	PRODUCTION
3-1630019-8	HSC 200R14J	HSC 200 R14 5%	PRODUCTION
3-1630019-9	HSC 20015KE	HSC 200 15K 3%	PRODUCTION
4-1630019-0	HSC 2001K2J	HSC 200 1K2 5%	PRODUCTION
4-1630019-1	HSC 200390RJ	HSC 200 390R 5%	PRODUCTION
4-1630019-2	HSC 200250RJ	HSC 200 250R 5%	PRODUCTION
4-1630019-3	HSC 20080RJ	HSC 200 80R 5%	PRODUCTION
4-1630019-4	HSC 20010KJ	HSC 200 10K 5%	PRODUCTION
4-1630019-5	HSC 20015RJ	HSC 200 15R 5%	PRODUCTION
4-1630019-6	HSC 2006R8F	HSC 200 6R8 1%	DISCONTINUED
4-1630019-7	HSC 20020RJ	HSC 200 20R 5%	PRODUCTION
4-1630019-8	HSC 20022KJ	HSC 200 22K 5%	PRODUCTION
4-1630019-9	HSC 200R75J	HSC 200 R75 5%	PRODUCTION
5-1630019-0	HSC 2005R1J	HSC 200 5R1 5%	PRODUCTION
5-1630019-1	HSC 20024RJ	HSC 200 24R 5%	PRODUCTION
5-1630019-2	HSC 200115RF	HSC 200 115R 1%	DISCONTINUED
5-1630019-3	HSC 200133RF	HSC 200 133R 1%	DISCONTINUED
5-1630019-4	HSC 200560RJ	HSC 200 560R 5%	PRODUCTION
5-1630019-5	HSC 200200RJ	HSC 200 200R 5%	PRODUCTION
5-1630019-6	HSC 200210RJ	HSC 200 210R 5%	PRODUCTION
5-1630019-7	HSC 20039KJ	HSC 200 39K 5%	PRODUCTION
5-1630019-8	HSC 20050RJ	HSC 200 50R 5%	PRODUCTION
5-1630019-9	HSC 200R50J	HSC 200 R50 5%	PRODUCTION
6-1630019-0	HSC 200R28J	HSC 200 R28 5%	PRODUCTION
6-1630019-1	HSC 200R23J	HSC 200 R23 5%	PRODUCTION
6-1630019-2	HSC 20050RJ	HSC 200 50R 5%	PRODUCTION
6-1630019-3	HSC 200100RJV	HSC 200 100R 5% MOQ 1000	DISCONTINUED
6-1630019-4	HSC 2001K0JV	HSC 200 1K0 5% MOQ 4000	DISCONTINUED
6-1630019-5	HSC 20030KJ	HSC 200 30K 5%	PRODUCTION

THIS DRAWING IS A CONTROLLED DOCUMENT.		DWN L LUONG 10.MAR.03	 TE Connectivity		
DIMENSIONS: mm		CHK J CATCHPOLE 10.MAR.03			
TOLERANCES UNLESS OTHERWISE SPECIFIED:		APVD J CATCHPOLE 10.MAR.03	NAME HSC200 ALUMINIUM HOUSED POWER RESISTOR		
		PRODUCT SPEC -	RESTRICTED TO -		
MATERIAL -		APPLICATION SPEC -	SIZE A3	CAGE CODE 00779	DRAWING NO C-1630019
FINISH -		WEIGHT -	SCALE 1:1 SHEET 2 OF 2 REV W 1		
		CUSTOMER DRAWING			