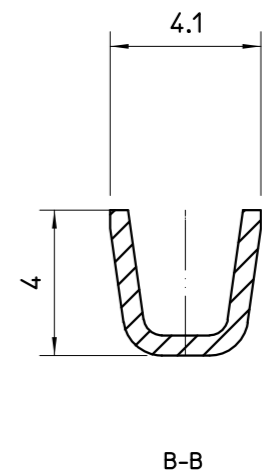
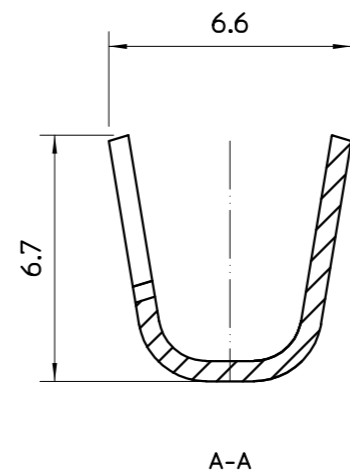
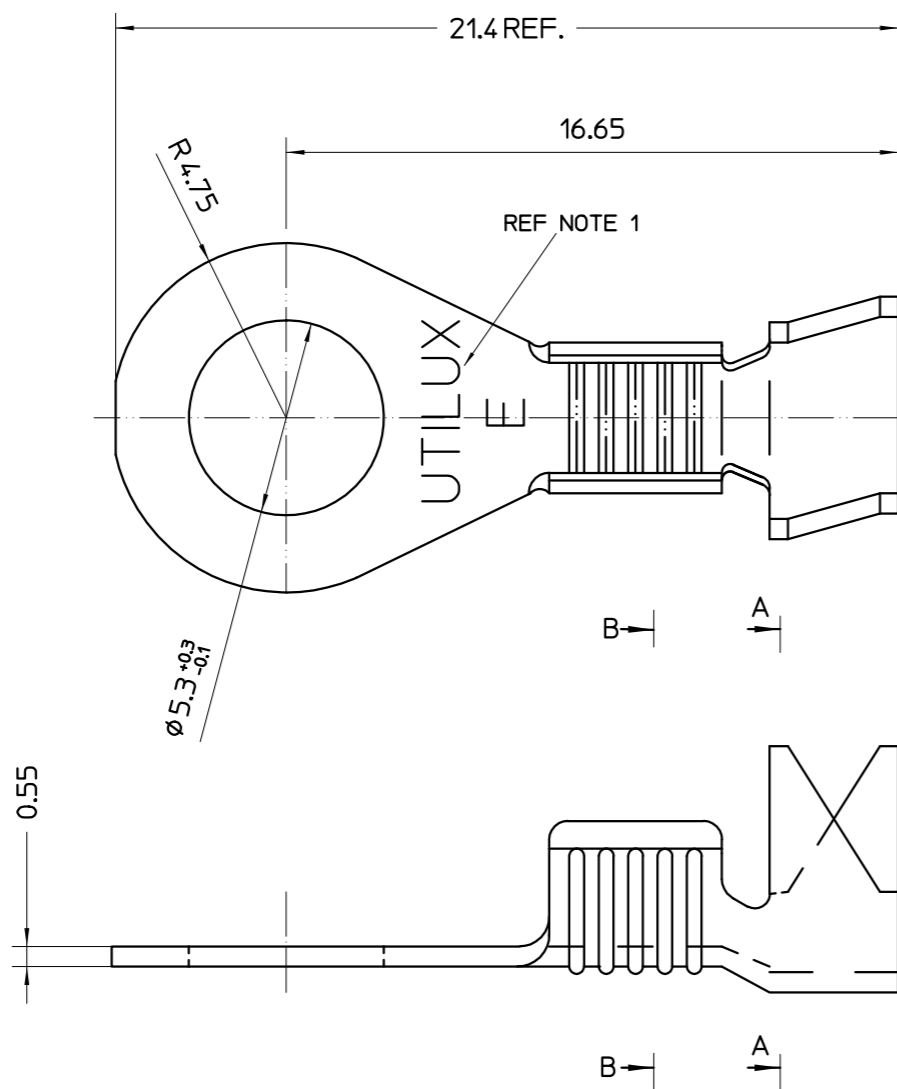


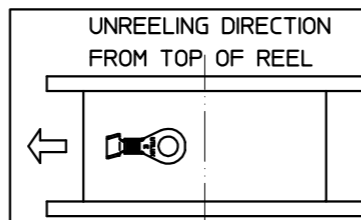
THIS DRAWING IS UNPUBLISHED. RELEASED FOR PUBLICATION
 © COPYRIGHT BY TYCO ELECTRONICS CORPORATION. ALL RIGHTS RESERVED.

LOC	DIST	REVISIONS					
		P	LTR	DESCRIPTION	DATE	DWN	APVD
U	-	-	-	-	-	-	-



THIS INFORMATION IS CONFIDENTIAL AND PROPRIETARY TO TYCO ELECTRONICS CORPORATION AND ITS WORLDWIDE SUBSIDIARIES AND AFFILIATES. IT MAY NOT BE DISCLOSED TO ANYONE OTHER THAN TYCO ELECTRONICS PERSONNEL WITHOUT WRITTEN AUTHORIZATION FROM TYCO ELECTRONICS CORPORATION, HARRISBURG, PENNSYLVANIA, USA.

- NOTES:**
- 'UTILUX' OR 'AMP' LOGO STAMPED.
 - THIS PRODUCT IS UL APPROVED.
 - WIRE SIZE RANGE:
 CONDUCTOR: 0.5mm² - 1.5mm²
 INSULATION: Ø2.3mm - Ø3.2mm



BRASS C26000 PRE-TIN	PRE-TIN	TERMINAL H430ET	1-1627187-3
NICKEL SILVER C75700	NATURAL	TERMINAL H430B	1-1627187-2
BRASS C26000	NATURAL	TERMINAL H430	1-1627187-0
MATERIAL DESC.	FINISH	DESCRIPTION	PART No.
THIS DRAWING IS A CONTROLLED DOCUMENT.		DWN: W. Riede 09.08.04	Tyco Electronics Corporation AUSTRALIA
ALL DIMENSIONS IN mm:		CHK: H.Thai 09.08.04	
TOLERANCES UNLESS OTHERWISE SPECIFIED: DIMENSION (mm) TOLERANCE(+/-mm) LESS THAN 10 0.4 OVER 10 TO 30 0.5 OVER 30 TO 80 0.7 OVER 80 TO 250 1.0 ANGLES ±2°		APVD: WR 09AUG04	
		PRODUCT SPEC: -	NAME: TERMINAL, RING/EYE
MATERIAL REF. BLOCK		APPLICATION SPEC: -	
FINISH REF. BLOCK		WEIGHT: -	RESTRICTED TO: -
		SIZE: A3 CAGE CODE: DRAWING NO: ©-1627187	
		CUSTOMER DRAWING SCALE: 1:1 SHEET 1 OF 1 REV 0	