

4

3

2

1

THIS DRAWING IS UNPUBLISHED.

RELEASED FOR PUBLICATION

ALL RIGHTS RESERVED.

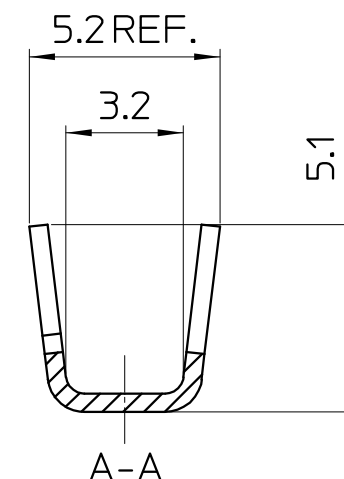
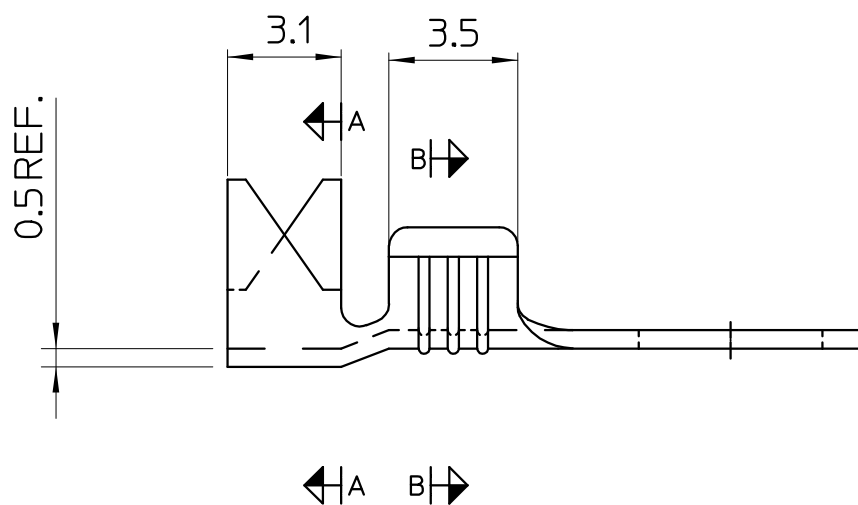
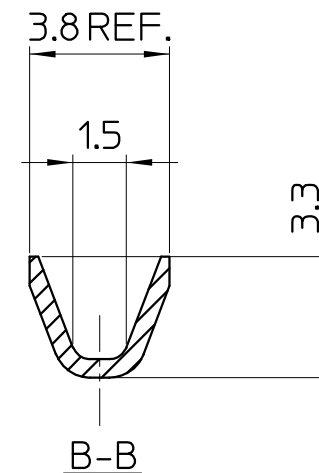
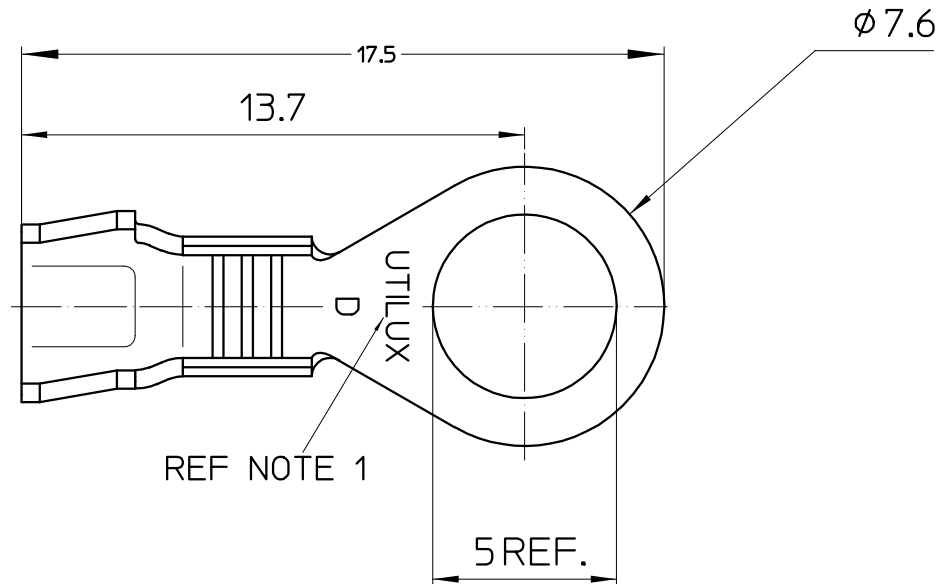
COPYRIGHT

LOC
U

DIST
-

REVISIONS

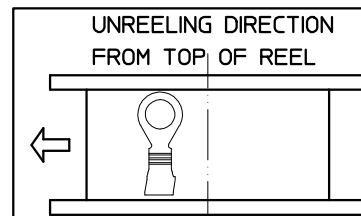
P	LTR	DESCRIPTION	DATE	DWN	APVD
A		REVISED PER ECR-17-008708	22JUN2017	SK	DD



NOTES:

- 1. 'UTILUX' OR 'AMP' LOGO STAMPED AS REQUIRED.
- 2. WIRE SIZE RANGE
CONDUCTOR (mm²): 0.4 - 1.5
INSULATION DIA (mm): 3.0 MAX

OBSOLETE.



THIS DRAWING IS A CONTROLLED DOCUMENT.

ALL DIMENSIONS IN mm:	TOLERANCES UNLESS OTHERWISE SPECIFIED:
DIMENSION (mm)	TOLERANCE(+mm)
LESS THAN 10	0.4
OVER 10 TO 30	0.5
OVER 30 TO 80	0.7
OVER 80 TO 250	1.0
ANGLES	±2°

MATERIAL: - FINISH: -

BRASS PRE-TIN	TERMINAL H3932ET	1-1627171-2
BRASS	TERMINAL H3932	4-1627171-4
MATERIAL DESC.	DESCRIPTION	PART No.

DWN: WR 06MAY05		TE Connectivity	
CHK: HT 06MAY05			
APVD: WR 06MAY05		NAME: TERMINAL, RING/EYE	
PRODUCT SPEC: -		SIZE: A3	
APPLICATION SPEC: -		CAGE CODE: 00779	
WEIGHT: -		DRAWING NO: 1627171	
CUSTOMER DRAWING		RESTRICTED TO: -	

SCALE: 5:1 SHEET: 1 OF 1 REV: A