

4

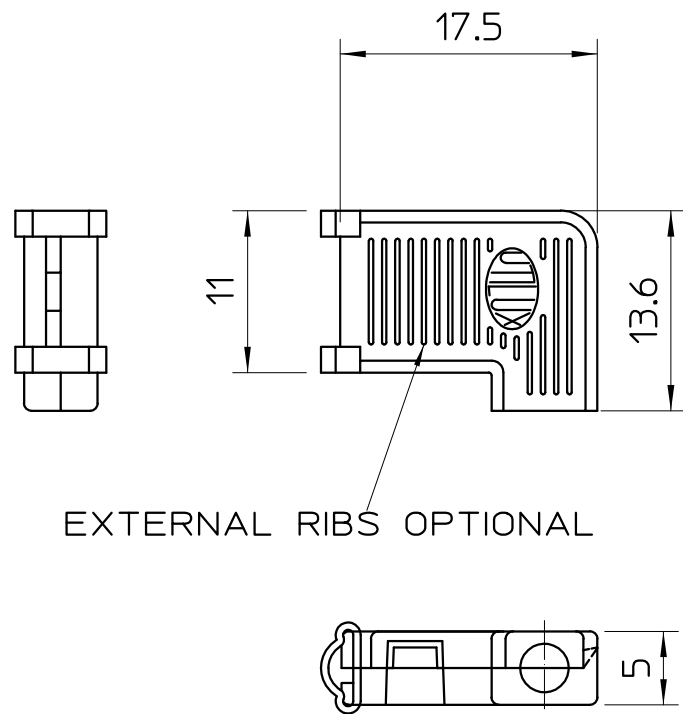
3

2

1

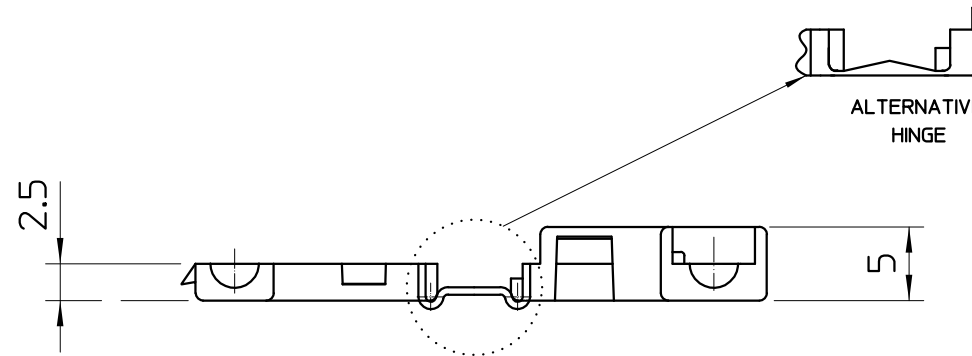
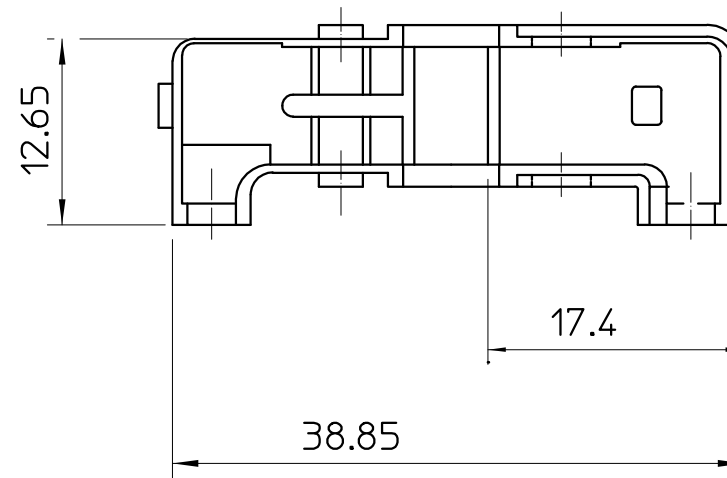
THIS DRAWING IS UNPUBLISHED. RELEASED FOR PUBLICATION  
 © COPYRIGHT - BY TYCO ELECTRONICS CORPORATION. ALL RIGHTS RESERVED.

LOC	DIST	REVISIONS					
		P	LTR	DESCRIPTION	DATE	DWN	APVD
U	-	-	-		-	-	-



EXTERNAL RIBS OPTIONAL

INSULATOR SHOWN IN CLOSED POSITION



AS SUPPLIED

NOTES:

1. INSULATOR SUITABLE FOR USE WITH THE FOLLOWING 6.3 QC FLAG RECEPTACLE P/N's:

- 1627100 (H2591 SERIES)
- 1627024 (H1191 SERIES)
- 1627102 (H2593 SERIES)

THIS INFORMATION IS CONFIDENTIAL AND PROPRIETARY TO TYCO ELECTRONICS CORPORATION AND ITS WORLDWIDE SUBSIDIARIES AND AFFILIATES. IT MAY NOT BE DISCLOSED TO ANYONE OTHER THAN TYCO ELECTRONICS PERSONNEL WITHOUT WRITTEN AUTHORIZATION FROM TYCO ELECTRONICS CORPORATION, HARRISBURG, PENNSYLVANIA, USA.

THIS DRAWING IS A CONTROLLED DOCUMENT.		DWN: W.RIEDE 9.12.04		NYLON 6 NATURAL		INSULATOR, (H2818)		1-1627128-1	
ALL DIMENSIONS IN mm:		CHK: H.THAI 9.12.04		MATERIAL		DESCRIPTION (UTILUX P/N)		PART No.	
TOLERANCES UNLESS OTHERWISE SPECIFIED:		APVD: W.RIEDE 9.12.04		PRODUCT SPEC:		NAME:		Tyco Electronics Corporation AUSTRALIA	
DIMENSION (mm) TOLERANCE(+/-mm)		APPLICATION SPEC:		INSULATOR, POST FIT		SIZE		CAGE CODE	
LESS THAN 10 0.4		-		-		A3		DRAWING NO	
OVER 10 TO 30 0.5		-		-		-		RESTRICTED TO	
OVER 30 TO 80 0.7		-		-		-		-	
OVER 80 TO 250 1.0		-		-		-		-	
ANGLES ±2°		-		-		-		-	
MATERIAL		FINISH		MASS:		-		-	
REF. BLOCK		-		0.6g		-		-	
				CUSTOMER DRAWING		SCALE		SHEET	
						2:1		1 OF 1	
								REV	
								0	