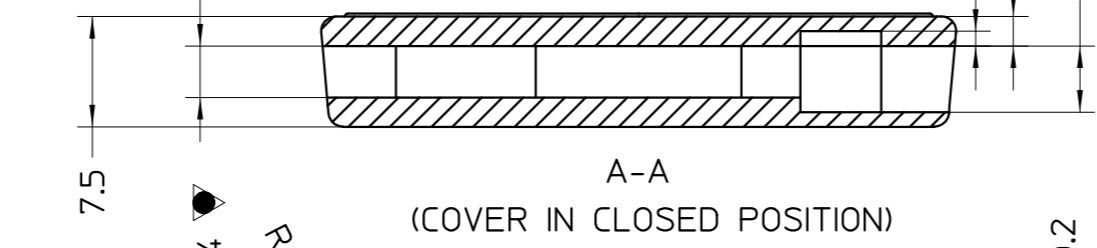
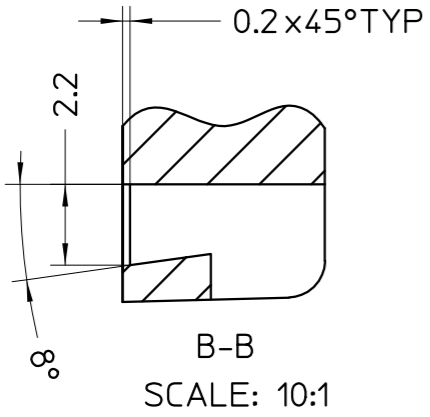
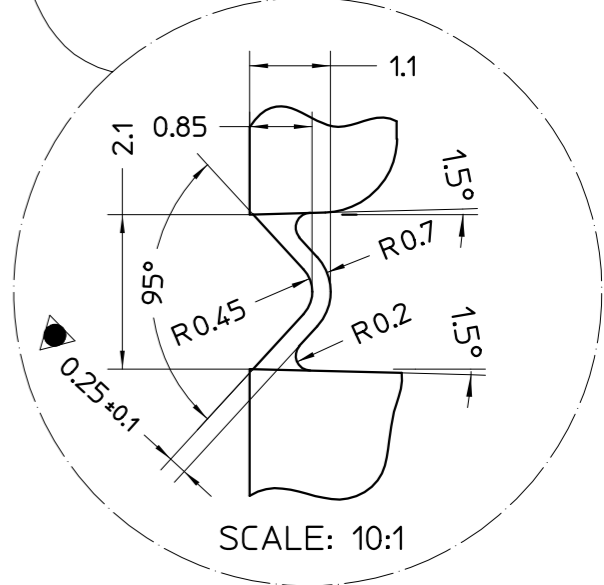
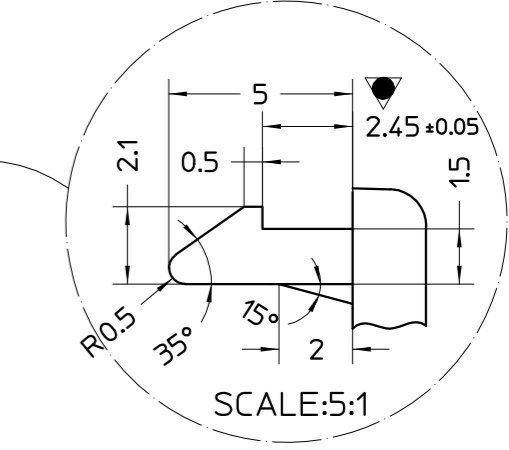
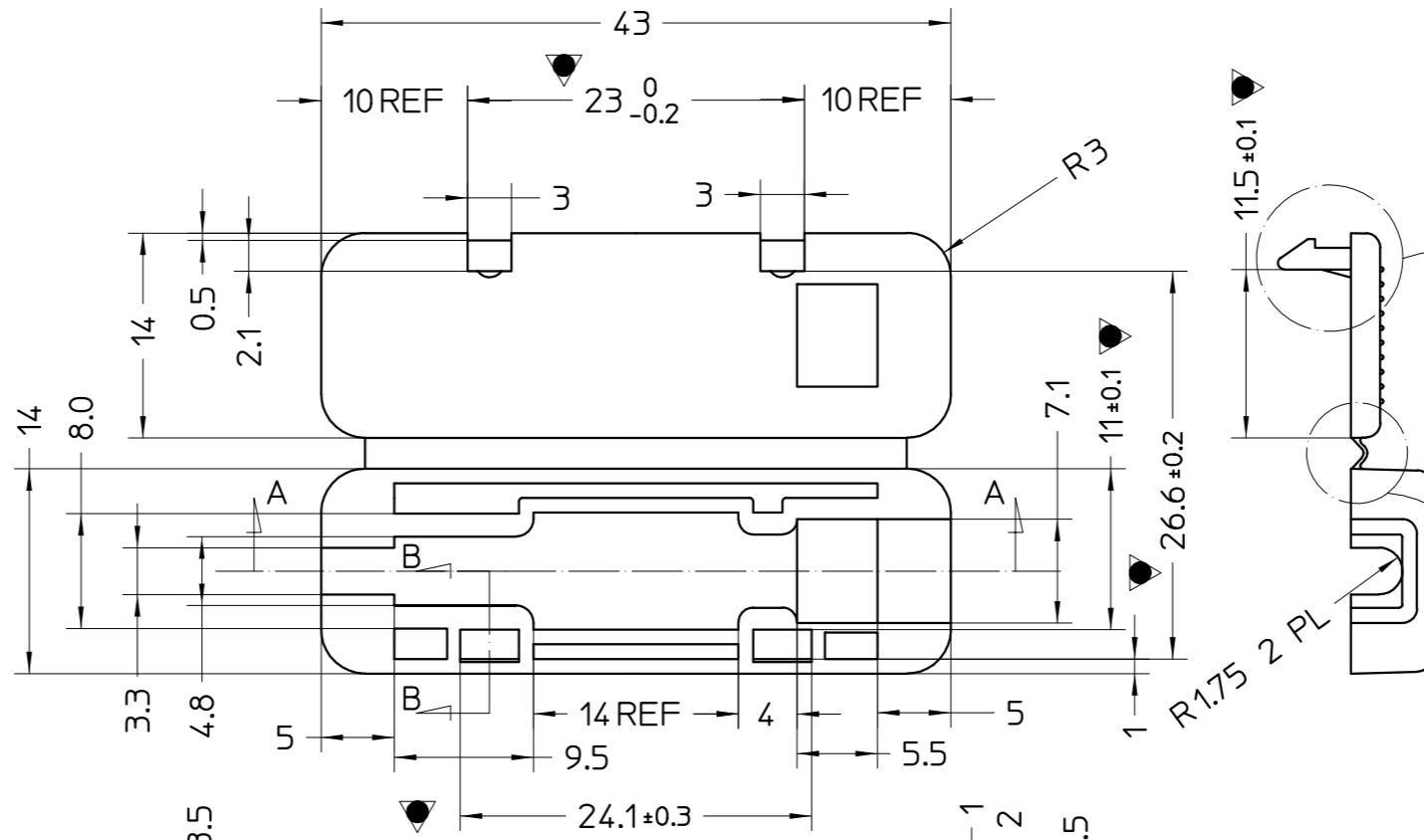
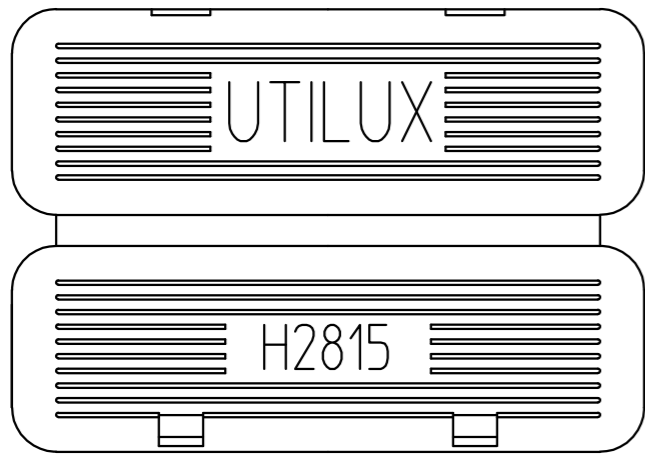


USED ON -



NOTES:

1. CHARACTERISTICS REQUIRING PROCESS CONTROL MARKED THUS:

- ▽ CRITICAL
- SIGNIFICANT LEVEL I
- ▽ SIGNIFICANT LEVEL II

2. POST-FIT TYPE INSULATOR FOR USE WITH QC 6.3 STRAIGHT RECEPTACLE MATED WITH AN IN-LINE TYPE QC 6.3 TAB.

3. MOULDINGS TO BE MOISTURE CONDITIONED BEFORE PACKING (2.5% WATER BY WEIGHT)

0	REDRAWN - WAS UTX DRG No. 01.02815.01	28.02.08	WR	-
LTR	REVISION RECORD	DATE	DWN	APVD

NYLON 6 NATURAL	1-1659901-0	INSULATOR, BOOK-TYPE (H2815)	1-1627127-0
MATERIAL DESC.	MATERIAL No.	DESCRIPTION (UTX P/No.)	PART No.
THIS DRAWING IS A CONTROLLED DOCUMENT.		DWN: W,RIEDE 18 FEB 08	Kingsgrove AUSTRALIA
ALL DIMENSIONS IN mm:		CHK: H,THAI 18 FEB 08	
TOLERANCES UNLESS OTHERWISE SPECIFIED:		APVD: W,RIEDE 18 FEB 08	NAME:
DIMENSION (mm) TOLERANCE(±mm) LESS THAN 10 0.15 OVER 10 TO 30 0.25 OVER 30 TO 80 0.30 OVER 80 TO 250 0.50 ANGLES ±2°		PRODUCT SPEC:	INSULATOR, BOOK-TYPE, QC 6.3
		APPLICATION SPEC:	SIZE: A3
MATERIAL REF BLOCK	FINISH REF BLOCK	WEIGHT: -	CAGE CODE: -
		DRAWING NO: 1627127	
		RESTRICTED TO: -	
		SCALE: 2:1 SHEET 1 OF 1 REV 0	
PRODUCTION DRAWING			

THIS INFORMATION IS CONFIDENTIAL AND PROPRIETARY TO TYCO ELECTRONICS AND ITS WORLDWIDE SUBSIDIARIES AND AFFILIATES. IT MAY NOT BE DISCLOSED TO ANYONE OTHER THAN TYCO ELECTRONICS PERSONNEL, WITHOUT AUTHORIZATION.