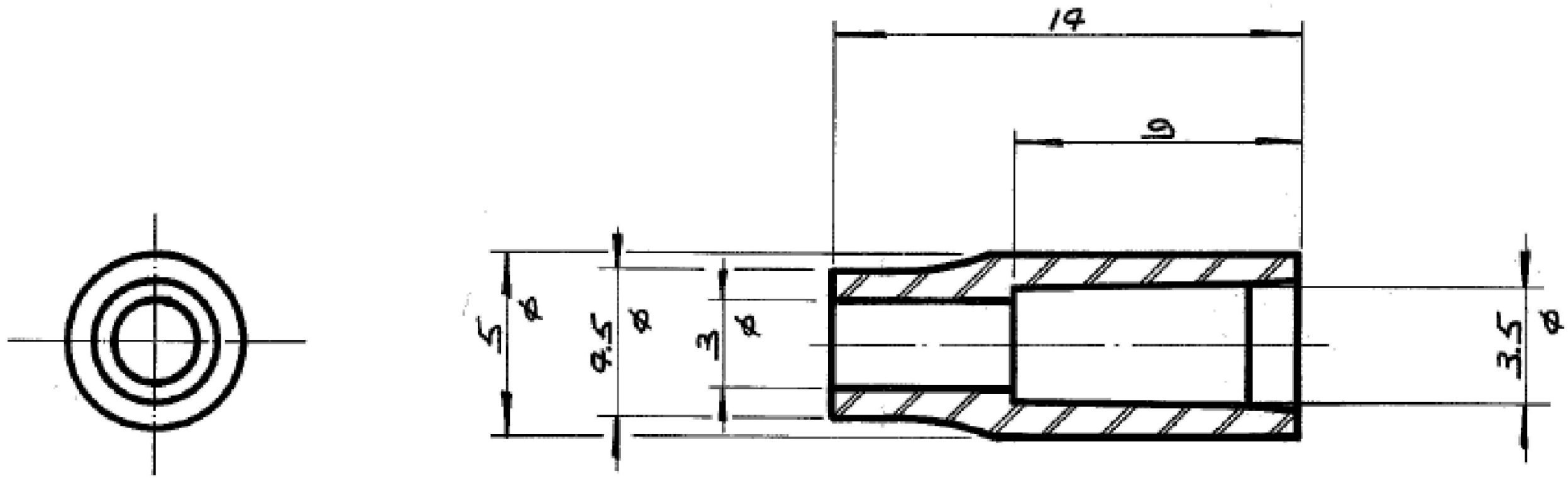
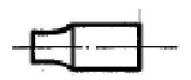


THIS DRAWING IS UNPUBLISHED. RELEASED FOR PUBLICATION - . - .
 © COPYRIGHT - By - ALL RIGHTS RESERVED.


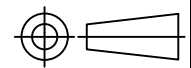
LOC		DIST		REVISIONS			
P	LTR	DESCRIPTION		DATE	DWN	APVD	
	A1	DOCUMENTATION CHANGE ONLY		22FEB2014	MGM	WR	




Actual Size

NOTES:
 1. INSULATOR FOR UTX P/N: H2782

1-1627124-1 PART NO.

CATALOGUE NUMBER H2805	THIS DRAWING IS A CONTROLLED DOCUMENT.		DWN MANJUNATH GM 03DEC2013	 TE Connectivity		
	DIMENSIONS: mm	TOLERANCES UNLESS OTHERWISE SPECIFIED:	CHK Riede, Walter 03DEC2013			
TOLERANCES UNLESS OTHERWISE SPECIFIED: DIMENSION (mm) TOLERANCE(±mm) LESS THAN 10 ± 0.4 OVER 10 TO 30 ± 0.5 OVER 30 TO 80 ± 0.7 OVER 80 TO 250 ± 1.0 ANGLES ± 2°	 MATERIAL FLEXIBLE PVC-CLEAR FINISH -	 0 PLC ± - 1 PLC ± - 2 PLC ± - 3 PLC ± - 4 PLC ± - ANGLES ± - 	APVD Riede, Walter 03DEC2013	NAME INSULATOR (H2805)		
			PRODUCT SPEC			SIZE A3
CUSTOMER DRAWING			WEIGHT -	SCALE NTS	SHEET 1 of 1	REV A1