

4

3

2

1

THIS DRAWING IS UNPUBLISHED.

RELEASED FOR PUBLICATION

ALL RIGHTS RESERVED.

LOC

DIST

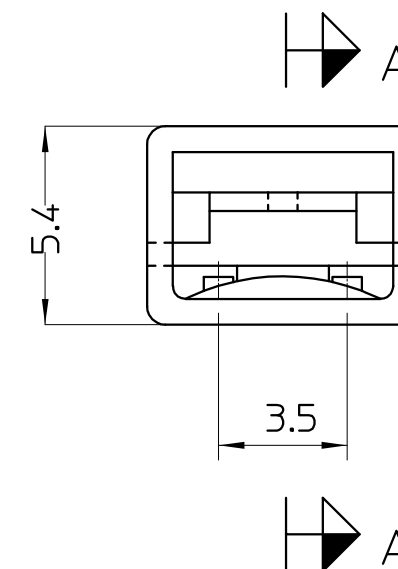
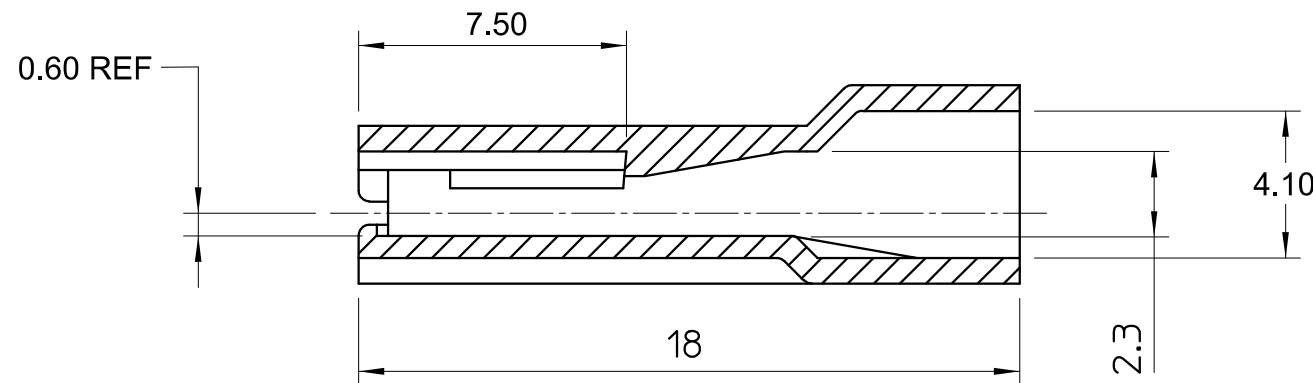
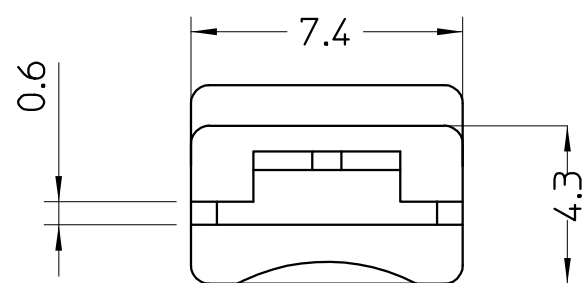
REVISIONS

COPYRIGHT

U

-

P	LTR	DESCRIPTION	DATE	DWN	APVD
A		REVISED PER ECO-14-016770	08NOV2014	NK	RH



SECTION A-A

NOTES:

INSULATOR DESIGNED FOR USE WITH
 4.8 QC RECEPTACLE TYCO P/N 1627099
 (UTILUX PART No. H2590)

OBSOLETE	NYLON 66 GF HEAT STABILISED	INSULATOR, POST-FIT H2801B	1-1627121-2
	NYLON 66 NATURAL	INSULATOR, POST-FIT H2801	1-1627121-1
	MATERIAL DESC.	DESCRIPTION	PART No.

THIS DRAWING IS A CONTROLLED DOCUMENT.		DWN: W.RIEDE 25.4.06	TE TE Connectivity	
ALL DIMENSIONS IN mm:		CHK: H.THAI 01.05.06		
TOLERANCES UNLESS OTHERWISE SPECIFIED:		APVD: W.RIEDE 01.06.06	NAME: INSULATOR, POST-FIT	
DIMENSION (mm) TOLERANCE(+/-mm)		PRODUCT SPEC:		
LESS THAN 10 0.40		APPLICATION SPEC:	SIZE A3	CAGE CODE
OVER 10 TO 30 0.50		WEIGHT: -	DRAWING NO	RESTRICTED TO
OVER 30 TO 80 0.70			©- 1627121	-
OVER 80 TO 250 1.0 0			CUSTOMER DRAWING	SCALE 5:1
ANGLES ±2°			SHEET 1 OF 1	REV A
MATERIAL -	FINISH -			