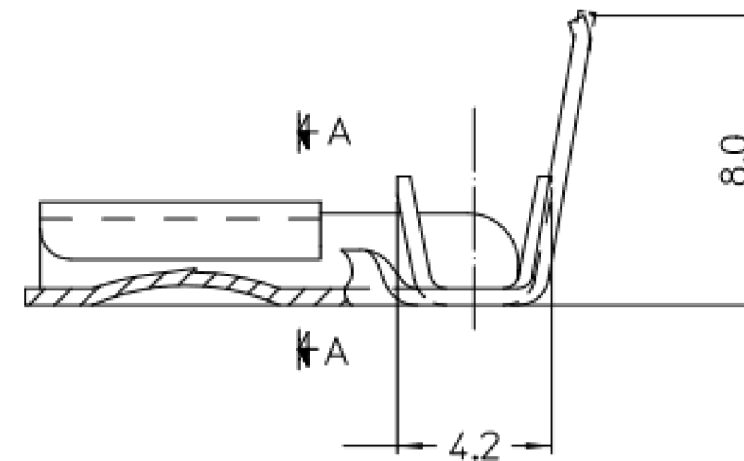
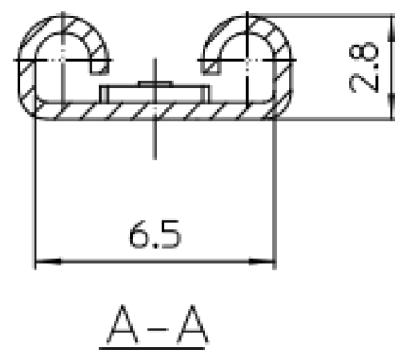
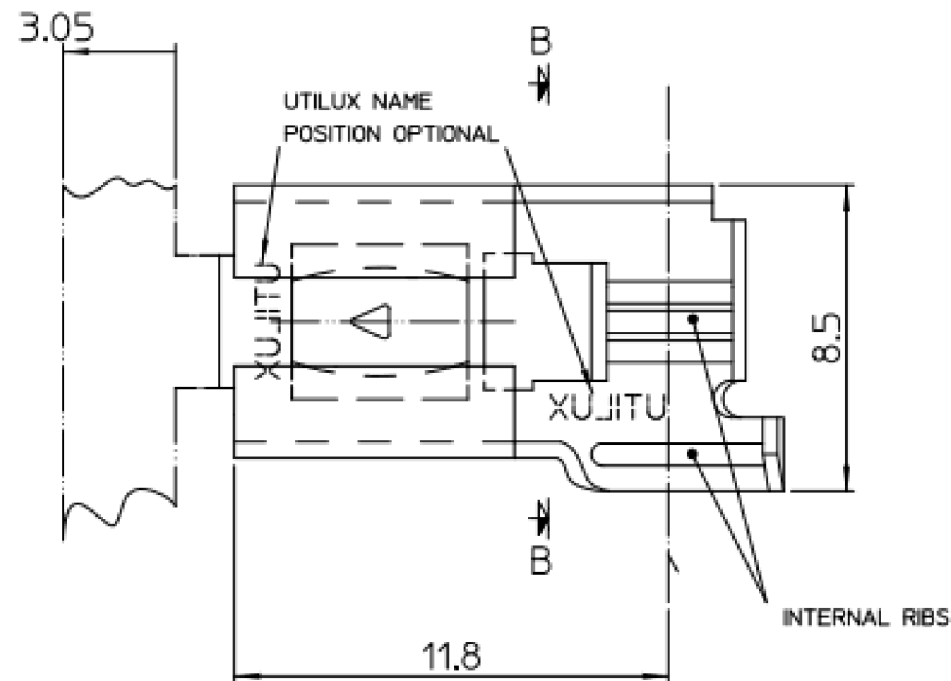
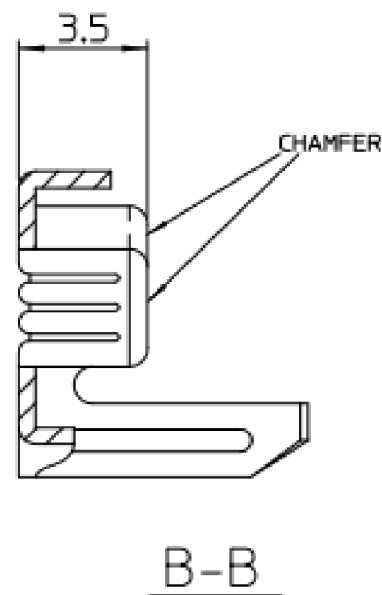


P	LTR	DESCRIPTION	DATE	DWN	APVD
	A	REVISED PER ECR-20-005216	30SEP2020	GK	CS



NOTES:

1. WIRE SIZE RANGE

CONDUCTOR: 0.75mm² - 1.5mm²

INSULATION DIA: 2.6mm - 3.2mm

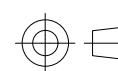
2.FOR CRIMPING DETAILS REFER

TO UTILUX CRIMPING CHART NO. H2593

TOLERANCES UNLESS OTHERWISE SPECIFIED:	
DIMENSION (mm)	TOLERANCES (±mm)
LESS THAN 10:	0.4
OVER 10 TO 30:	0.5
OVER 30 TO 80:	0.7
OVER 80 TO 250:	1.0
ANGLES:	±2°

THIS DRAWING IS A CONTROLLED DOCUMENT.

DIMENSIONS:
mm



TOLERANCES UNLESS OTHERWISE SPECIFIED:

0 PLC	± -
1 PLC	± -
2 PLC	± -
3 PLC	± -
4 PLC	± -
ANGLES	± -
FINISH	± -

MATERIAL

-

FINISH

-

REMARKS	MATERIAL	DESCRIPTION	PART No.
REEL FORM	BRASS PRE-TIN	RECEPTACLE H2593ET	1-1627102-4
REEL FORM	BRASS	RECEPTACLE H2593	1-1627102-3
LOOSE PIECE	BRASS	RECEPTACLE H2593	1-1627102-2
REEL FORM	NICKEL SILVER	RECEPTACLE H2593B	1-1627102-1

OBSOLETE

DWN 26OCT2004

W.RIEDE

CHK 26OCT2004

H.THAI

APVD 26OCT2004

W.RIEDE

PRODUCT SPEC

-

APPLICATION SPEC

-

WEIGHT

-



NAME RECEPTACLE, QC 6.3 FLAG

-

-

-

SIZE CAGE CODE DRAWING NO RESTRICTED TO

A3 - C-1627102 -

CUSTOMER DRAWING

SCALE 5:1

SHEET 1 OF 1

REV A