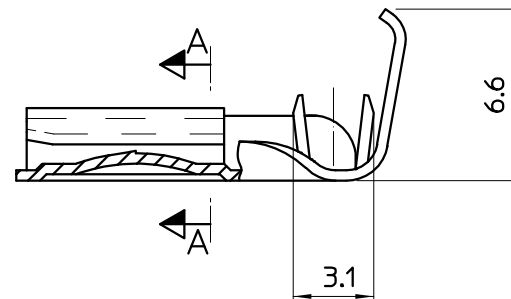
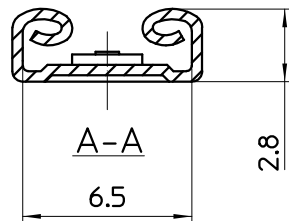
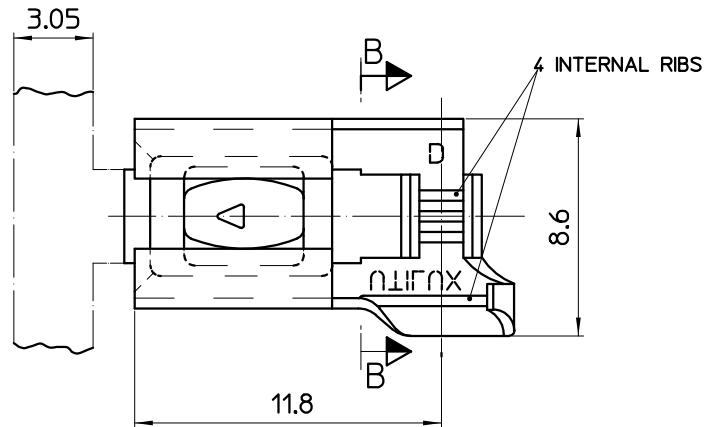
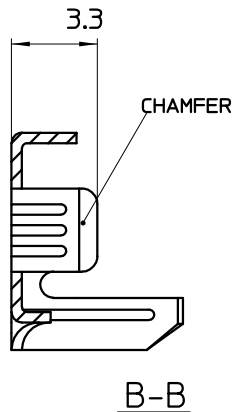


THIS DRAWING IS UNPUBLISHED. RELEASED FOR PUBLICATION
 © COPYRIGHT BY TYCO ELECTRONICS CORPORATION. ALL RIGHTS RESERVED.

LOC	DIST	REVISIONS			
P	LTR	DESCRIPTION	DATE	DWN	APVD
U	-	-	-	-	-



NOTES:

- WIRE RANGE
 CONDUCTOR: 0.5mm² - 1.0mm²
 INSULATION DIAMETER: 2.2mm - 2.5mm
- FOR CRIMPING DETAILS REFER
 TO UTILUX CRIMPING CHART NO. H2591

BRASS	RECEPTACLE H2591	1-1627100-2
BRASS PRE-TIN	RECEPTACLE H2591ET	1-1627100-1
MATERIAL	DESCRIPTION	PART No.

THIS DRAWING IS A CONTROLLED DOCUMENT.		DWN: W.RIEDE 25.10.04	Tyco Electronics Corporation AUSTRALIA	
ALL DIMENSIONS IN mm:		CHK: H.THAI 25.10.04		
TOLERANCES UNLESS OTHERWISE SPECIFIED:		APVD: W.RIEDE 25.10.04	NAME: RECEPTACLE, FLAG QC 6.3	
DIMENSION (mm) TOLERANCE(mm) LESS THAN 10 0.4 OVER 10 TO 30 0.5 OVER 30 TO 80 0.7 OVER 80 TO 250 1.0 ANGLES ±2°		PRODUCT SPEC: -	RESTRICTED TO	
MATERIAL: -		APPLICATION SPEC: -	SIZE: A3	CAGE CODE: -
FINISH: -		WEIGHT: -	DRAWING NO: ©-1627100	
UNREELING DIRECTION FROM TOP OF REEL		CUSTOMER DRAWING		SCALE: 5:1
		SHEET 1 OF 1		REV 0

THIS INFORMATION IS CONFIDENTIAL AND PROPRIETARY TO TYCO ELECTRONICS CORPORATION. IT IS NOT TO BE DISCLOSED TO ANYONE OTHER THAN TYCO ELECTRONICS PERSONNEL WITHOUT WRITTEN AUTHORIZATION FROM TYCO ELECTRONICS CORPORATION, THUNDERBOLT, PENNSYLVANIA, USA.