

4

3

2

1

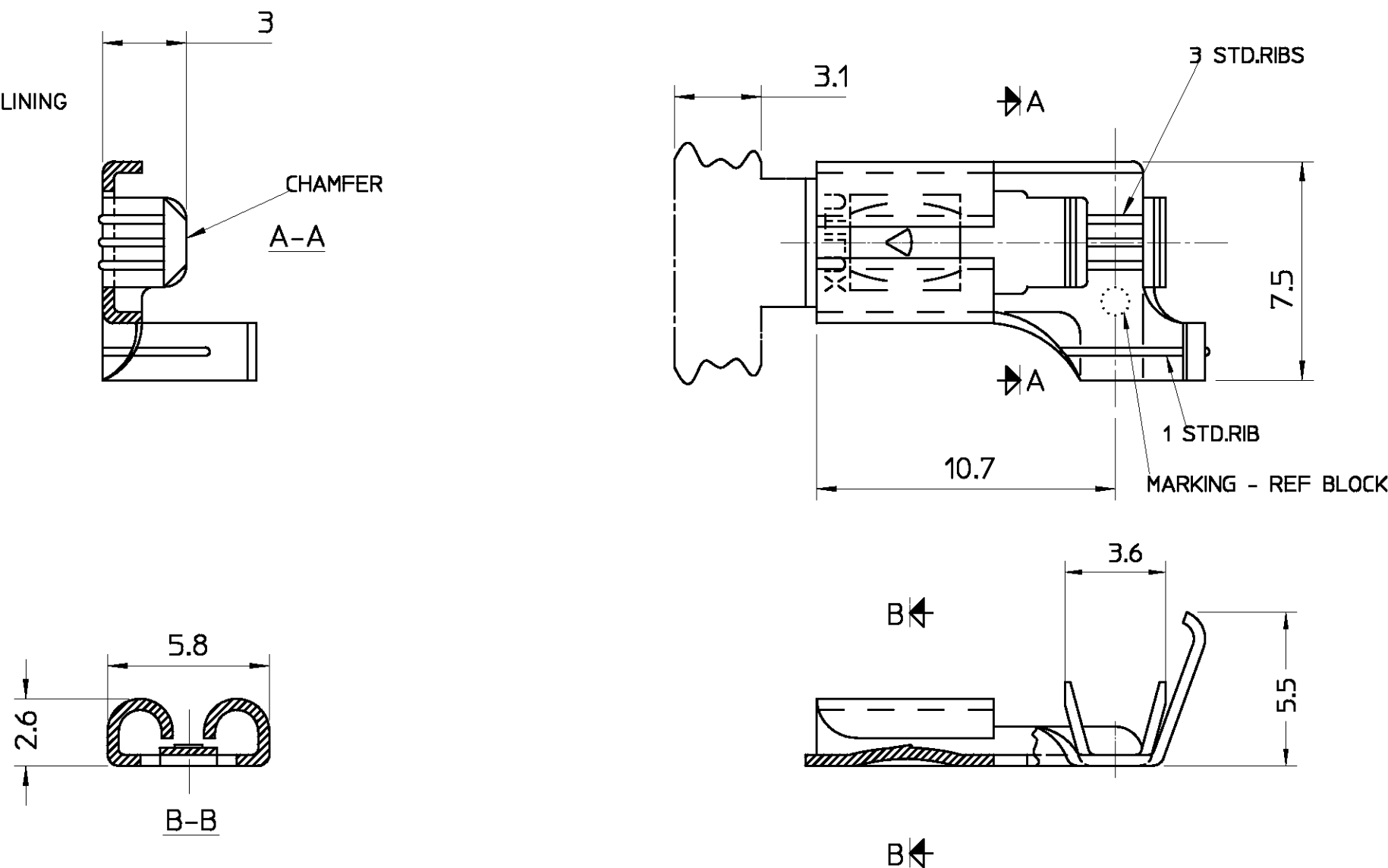
THIS DRAWING IS UNPUBLISHED. RELEASED FOR PUBLICATION  
 COPYRIGHT BY TYCO ELECTRONICS CORPORATION. ALL RIGHTS RESERVED.

LOC		DIST		REVISIONS					
U		-		P	LTR	DESCRIPTION	DATE	DWN	APVD
				O1		REV PER ECO-10-000030	04JAN10	KK	AEG

NOTES:

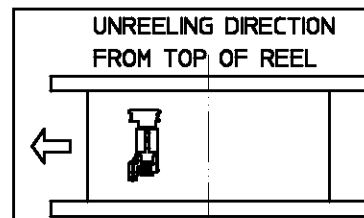
- 1. WIRE SIZE RANGE:  
 CONDUCTOR: 0.4mm<sup>2</sup> - 1.0 mm<sup>2</sup>  
 INSULATION DIA: 2.1 mm - 2.6 mm

2 OBSOLETE PARTS: OBSOLETE CIS STREAMLINING  
 PER D.RENAUD/D.SINISI



2	OBSOLETE	X	BRASS	RECEPTACLE H25411X01	1-1627087-1
		8	BRASS PRE-TIN	RECEPTACLE H25411	1-1627087-0
		MARKING	MATERIAL DESC.	DESCRIPTION	PART No.

THIS INFORMATION IS CONFIDENTIAL AND PROPRIETARY TO TYCO ELECTRONICS CORPORATION AND ITS WORKING SUBSIDIARIES AND AFFILIATES. IT MAY NOT BE DISCLOSED TO ANYONE OTHER THAN TYCO ELECTRONICS PERSONNEL WITHOUT WRITTEN AUTHORIZATION FROM TYCO ELECTRONICS CORPORATION, PARSIPPANY, PENNSYLVANIA, USA.



THIS DRAWING IS A CONTROLLED DOCUMENT.		DWN: W. Riede 21.10.04	Tyco Electronics Corporation AUSTRALIA	
ALL DIMENSIONS IN mm:		CHK: H.Thai 21.10.04		
TOLERANCES UNLESS OTHERWISE SPECIFIED:		APVD: W.Riede 21.10.04	NAME: RECEPTACLE QC 4.8x0.8	
DIMENSION (mm) TOLERANCE(+/-mm)		PRODUCT SPEC: -	SIZE: A3	
LESS THAN 10 0.4		APPLICATION SPEC: -	CAGE CODE: -	
OVER 10 TO 30 0.5		WEIGHT: -	DRAWING NO: 1627087	
OVER 30 TO 80 0.7			RESTRICTED TO: -	
OVER 80 TO 250 1.0			SCALE: 5:1	
ANGLES ±2°			SHEET 1 OF 1	
MATERIAL: -	FINISH: -	CUSTOMER DRAWING		REV 01