

4

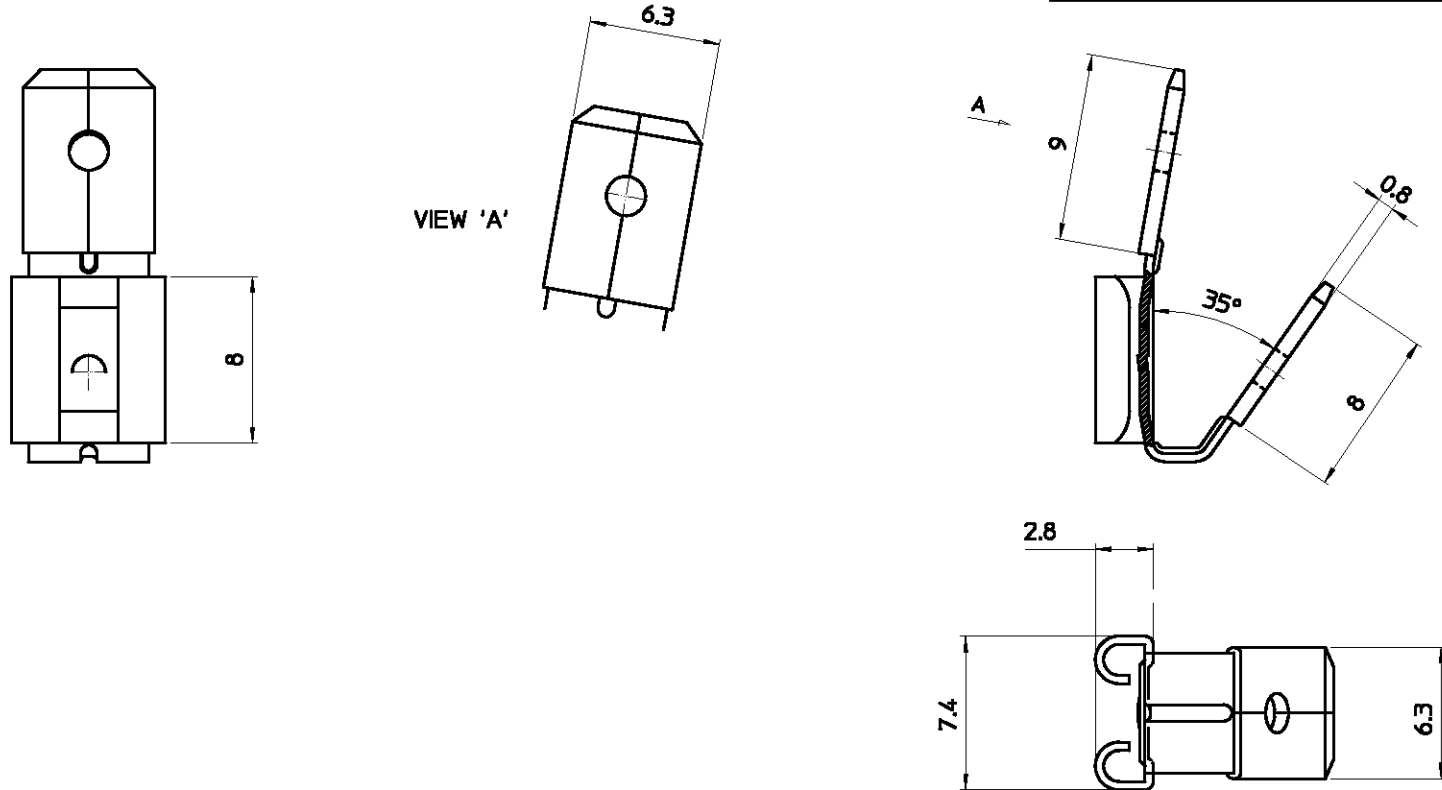
3

2

1

THIS DRAWING IS UNPUBLISHED. RELEASED FOR PUBLICATION  
 COPYRIGHT BY TYCO ELECTRONICS CORPORATION. ALL RIGHTS RESERVED.

LOC	DIST	REVISIONS			
P	LTR	DESCRIPTION	DATE	DGN	APVD
U	-	O1	REV PER ECO-09-026495	30NOV09	KK AEG



LOOSE PIECE	NICKEL SILVER	ADAPTOR H1909B/150	1-1627047-6
LOOSE PIECE	BRASS	ADAPTOR H1909/150	1-1627047-5
LOOSE PIECE	BRASS	ADAPTOR H1909/1000	1-1627047-4
LOOSE PIECE	BRASS PRE-TIN	ADAPTOR H1909ET/1000	<del>1-1627047-2</del>
LOOSE PIECE	NICKEL SILVER	ADAPTOR H1909B/1000	1-1627047-1
REMARKS	MATERIAL	DESCRIPTION	PART No.

**2** OBSOLETE

NOTES:

1. THESE PRODUCTS ARE UL LISTED

**2** OBSOLETE PARTS: OBSOLETE CIS STREAMLINING PER D.RENAUD/D.SINISI

THIS DRAWING IS A CONTROLLED DOCUMENT.		DWG: W.RIEDE 4.11.04	Tyco Electronics Corporation AUSTRALIA	
ALL DIMENSIONS IN mm	TOLERANCES UNLESS OTHERWISE SPECIFIED:	CHK: H.THAI 4.11.04	NAME: ADAPTOR QC 6.3	
	DIMENSION (mm) TOLERANCE (mm)	APVD: W.RIEDE 4.11.04	SIZE: A3	CASE CODE: -
	LESS THAN 10	0.4	DRAWING NO: C-1627047	RESTRICTED TO: -
	OVER 10 TO 30	0.5	CUSTOMER DRAWING	
	OVER 30 TO 80	0.7	SCALE: 4:1	SHEET: 1 OF 1
MATERIAL: -	FINISH: -	APPLICATION SPEC: -	WEIGHT: -	REV: O1

THIS DRAWING IS UNPUBLISHED. RELEASED FOR PUBLICATION BY TYCO ELECTRONICS CORPORATION. ALL RIGHTS RESERVED.